

Pilot regulators are used to control the outlet pressure of a pilot operated regulator (ordered separately)

The pilot regulator is installed in an accessible location in the compressed air system; pilot operated regulator is installed at any point without regard to accessibility

Feedback pilot regulator provides superior pressure regulation under changing flow demands where changes in flow demand are not sudden or cyclic.

Constant bleed feature provides maximum sensitivity to system changes

Relief feature allows reduction of downstream pressure when the system is dead-ended



Technical data

Fluid:

Compressed air, neutral gases

NOTE: Contact technical support for use with other media.

Inlet pressure range:

10 psig (0.7 bar) to 400 psig (27.6 bar) maximum

Operating temperature:

0 to 175°F (-20° to 80°C) *

* Air supply must be dry enough to avoid ice formation at temperatures below 35°F (2°C).

Maximum bleed rate at 50 psig (3.5 bar) outlet pressure:

0.25 scfm (0.12 dm³/s) †

† Maximum bleed rate occurs under dead-end (no flow) conditions.

Pilot ports:

1/4" PTF

Feedback port:

1/8" PTF

Materials

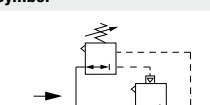
Body, bonnet: zinc

Valve seat: brass

Valve ball: stainless steel

Elastomers: nitrile

Ordering information

ISO Symbol	Port Size	Type	Model	Weight lb (kg)	Pressure psig (bar)†
 11-104 Feedback Pilot Regulator with Pilot Operated Regulator	1/4" PTF	Feedback Pilot	11-104-001	3.38 (1.53)	5-105 (.3-7)
	1/4" PTF	Feedback Pilot	11-104-002	3.38 (1.53)	50-250 (3-17)

† Outlet pressures can be adjusted to pressures in excess or, and less than, those specified. Do not use these units to control pressures outside of the specified ranges.

Service Kits

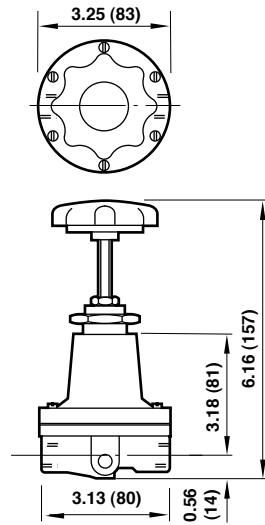
Type	Part number
11-104	1970-11

Service kit includes: diaphragm assemblies, valve assembly, valve spring o-rings and valve seats for pilots.

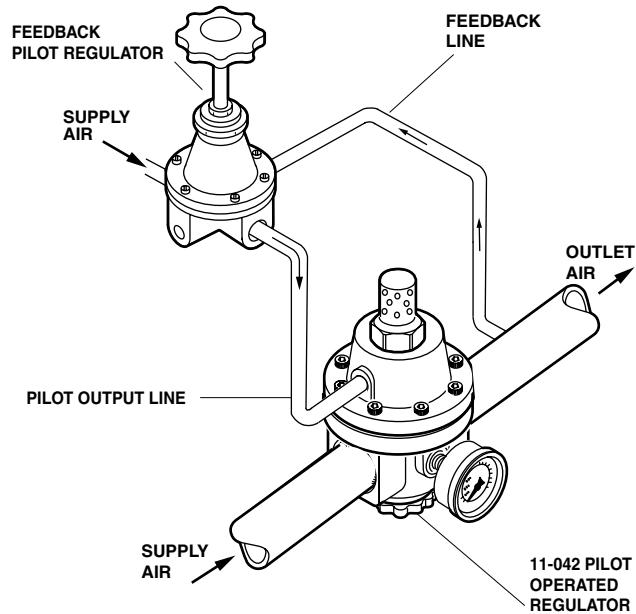
Feedback Pilot Regulator Warning

The feedback line must sense the pilot operated regulator outlet pressure and must be connected before turning on the air supply. If the feedback line is not connected, the pilot operated regulator outlet pressure will rapidly increase to the inlet pressure when the adjusting knob on the pilot regulator is turned clockwise.

Panel mounting hole diameter: 1.06" (27 mm)
Maximum panel thickness: 0.38" (10 mm)



Typical installation



Dimensions in inches (mm)