

Ported regulators for general purpose pneumatic applications

Large diaphragm provides accurate and quick response to changing flow demands and line pressure

Balanced valve minimizes effect of variations in inlet pressure on outlet pressure

Extensive range of applications



### Technical data

#### Medium:

Compressed air only

#### Maximum inlet pressure:

406 psi (28 bar) max.

#### Port sizes:

3/4" PTF, 1" PTF, G3/4", G1"

#### Gauge port:

1/8" ISO Rc

#### Ambient/Media temperature:

-30°F to 176°F (-34°C to 80°C)

Air supply must be dry enough to avoid ice formation at temperatures below 35°F (2°C)

#### Materials:

Body: Zinc alloy

Bonnet: Aluminum alloy

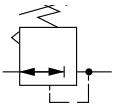
Bottom plug: Aluminum

Adjusting screw: Steel-plated

Elastomers: Synthetic rubber

### Ordering information

Models listed have T-bar adjustment, relieving diaphragm. 5 to 125 psig (0.3 to 8.5 bar) outlet pressure adjustment range.

ISO Symbols	Port Size	Model Number	Flow scfm (dm <sup>3</sup> /s)*	Weight lbs (kg)
	3/4" PTF	20AG-X6G-AH100	160 (80)	6.3 (2.85)
	G3/4"	20AG-X6G-PH100	160 (80)	6.3 (2.85)
	1" PTF	20AG-X8G-AH100	200 (100)	6.4 (2.90)
	G1"	20AG-X8G-PH100	200 (100)	6.4 (2.90)

\* Typical flow with 100 psig (7 bar) inlet pressure, 60 psig (4 bar) set pressure and 15 psig (1 bar) droop from set.

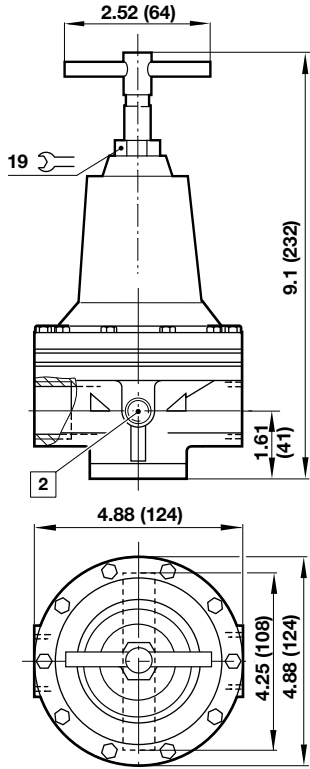
### Service Kits

Type	Part number
Service kit, 3/4 and 1" ports	20AG-X8-100
Mounting bracket kit 3/4 and 1"	18-001-029

Kit includes diaphragm, valve, valve spring, and o-rings.

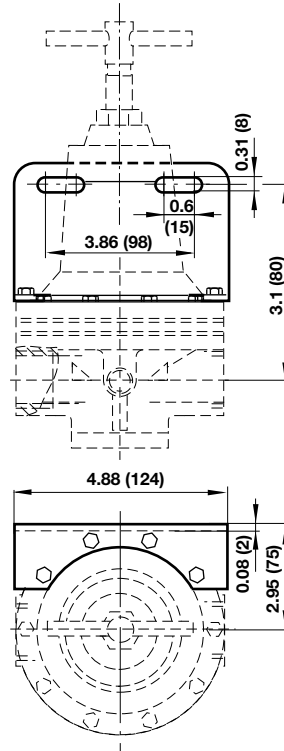
Dimensions in inches (mm)

Standard version



2 Gauge port

Bracket mounting



Typical Performance Characteristics

