

**17 Series General Purpose Filter  
3/4", 1", 1-1/4", 1-1/2" Port Sizes**

- Protects air operated devices by removing liquid and solid contaminants from compressed air
- Screw-on bowl reduces maintenance time
- Can be serviced without the use of tools or removal from the air line
- Optional visual service indicator turns from green to red when the filter element needs to be cleaned or replaced
- Optional electrical service indicator also available



**Ordering Information.** Models listed include automatic drain, 40 µm element, metal bowl with sight glass, and PTF threads.

Port Size	Model Numbers	Flow scfm (dm <sup>3</sup> /s)*	Weight lbs (kg)
3/4"	F17-600-A3DA	325 (153)	4.26 (1.93)
1"	F17-800-A3DA	425 (201)	4.15 (1.88)
1-1/4"	F17-A00-A3DA	425 (201)	4.39 (1.99)
1-1/2"	F17-B00-A3DA	425 (201)	4.30 (1.95)

\* Typical flow with a 40 µm element at 90 psig (6.3 bar) inlet pressure and 5 psig (0.35 bar) pressure drop.

**Alternative Models**

F 1 7 - ★ ★ ★ - ★ ★ ★ ★

Port Size	Substitute
3/4"	6
1"	8
1-1/4"	A
1-1/2"	B

Option	Substitute
Not applicable	0

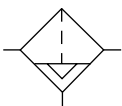
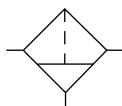
Service Indicator	Substitute
With (visual)	1
With (electrical)	4
Without	0

Threads	Substitute
PTF	A
ISO Rc taper	B
BSPG (1-1/2" ported units only)	C
ISO G parallel (not available with 1-1/2" ported units)	G

Bowl	Substitute
1 quart (1 liter) metal with sight glass	D
1 quart (1 liter) metal	M

Element	Substitute
5 µm	1
25 µm	2
40 µm	3
75 µm	4

Drain	Substitute
Automatic	A
Manual	M

**ISO Symbols**

**Auto Drain**

**Manual Drain**

**See Section ALE-24 for Accessories**



**Technical Data**

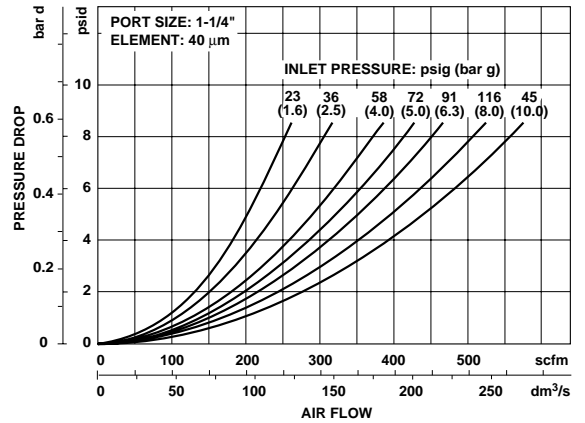
Fluid: Compressed air  
 Maximum pressure: 250 psig (17 bar)  
 Operating temperature: \* -30° to 175°F (-34° to 80°C)  
 \* Air supply must be dry enough to avoid ice formation at temperatures below 35°F (2°C)  
 Particle removal: 5 µm, 25 µm, 40 µm, or 75 µm filter element  
 Air quality: Within ISO 8573-1, Class 3 and Class 5 (particulates)  
 Typical flow with a 40 µm element at 90 psig (6.3 bar) inlet pressure and 5 psig (0.35 bar) pressure drop: 425 scfm (201 dm³/s)  
 Nominal bowl size: 1 quart (1 liter)  
 Manual drain connection: Will fit 1/8-27 and 1/8-28 pipe thread.  
 Automatic drain connection: Will fit 1/8-27 and 1/8-28 pipe thread. - Flexible tube with 3/16" (5mm) minimum I.D. can be connected to the automatic drain. Drain may fail to operate if the tube I.D. is less than 3/16" (5mm). Avoid restrictions in the tube.  
 Automatic drain operating conditions (float operated):  
 Bowl pressure required to close drain: Greater than 5 psig (0.3 bar)  
 Bowl pressure required to open drain: Less than 3 psig (0.2 bar)  
 Minimum air flow required to close drain: 2 scfm (1 dm³/s)  
 Manual operation: Depress pin inside drain outlet to drain bowl

**Materials**

- Body: Aluminum
- Bowl: Aluminum
- Bowl sight glass: Pyrex
- Elastomers: Neoprene and nitrile
- Filter element
- 5 µm: Sintered bronze
- 25 µm: Sintered bronze
- 40 µm: Sintered bronze
- 75 µm: Stainless steel screen

An automatic drain is a two-way valve, which will close when the system is pressurized. The drain opens when the float rises due to accumulated liquid and on depressurization.

**Typical Performance Characteristics**

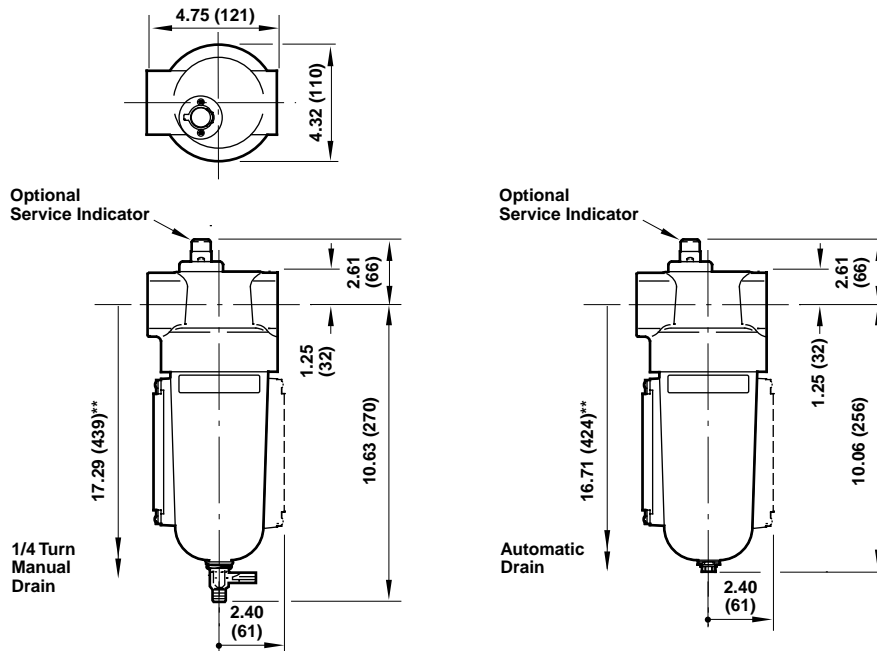


**Service Kits**

Item	Type	Part number
Service kits	All filters	5578-05
Replacement elements	5 µm	5311-01
	25 µm	5311-02
	40 µm	5311-03
	75 µm	5656-01
Replacement drain	Automatic	3000-10
	Manual (1/4 turn)	619-50

Service kit 5778-05 includes bowl o-ring, drain gasket, and element gasket.

All Dimensions in Inches (mm)



\*\* Minimum clearance required to remove bowl