

# R91W

## Special purpose water regulator

- > Use with deionized water and potable water systems.
- > NSF/ANSI Standard 61 certified
- > Non relieving models only.



### Technical data

**Fluid:**

Potable water, deionized water

**Maximum pressure:**

150 psig (17 bar)

**Operating temperature**

Water service: 35° to 125°F  
(2° to 52°C)

**Ports:**

1/8 PTF with PTF main ports  
R1/8 with ISO G main ports

**Materials:**

Body: aluminum  
Body and bonnet: acetal  
Valve: Stainless steel/food grade EPDM  
Valve seat: acetal  
Valve seat o-ring: Food grade EPDM  
Diaphragm: Acetal, nylon inserted nitrile, food grade  
Gauge port plugs: nylon

### Ordering information

Model listed includes PTF threads, knob adjustment, non relieving diaphragm, 5 to 125 psig (0.3 to 8.6 bar) outlet pressure adjustment range, and without gauge.

Inlet Port	Application	Model	Flow** gpm (lpm)	Weight lb (kg)
1/4"	Potable water and deionized water	R91W-2AK-NLN	1.75 (6.6)	0.15 (0.07)

\*\* Typical flow for water service at 100 psig (7 bar) inlet pressure, 60 psig (4 bar) set pressure and a droop of 15 psig (1 bar) from set.

### Alternative Models

R91W-2★★-N★N

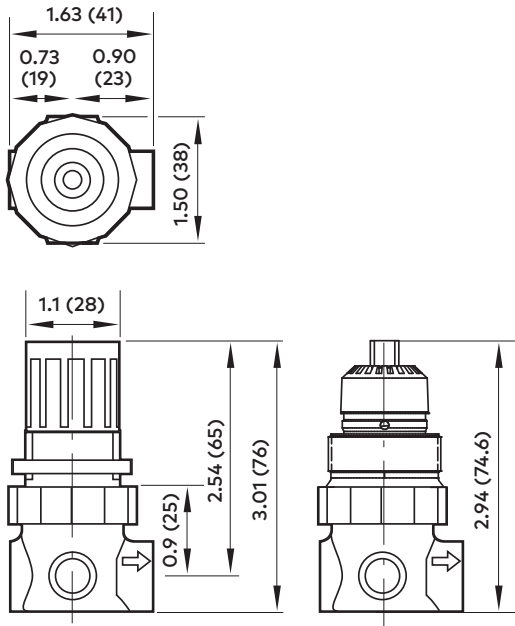
Threads	Substitute
PTF	A
ISO Rc taper	B
ISO G parallel	G

Outlet Pressure Adjustment Range	Substitute
1 to 25 psig (.07 to 1.7 bar)	T
5 to 50 psig (.34 to 3.4 bar)	E
5 to 125 psig (.34 to 8.6 bar)	L

Adjustment	Substitute
Knob	K
No knob	N

## Dimensions Inches (mm)



With adjusting knob

No adjusting knob

Panel mounting hole diameter: 1.19" (30 mm)  
Maximum panel thickness: 0.25" (6 mm)

## Service Kits

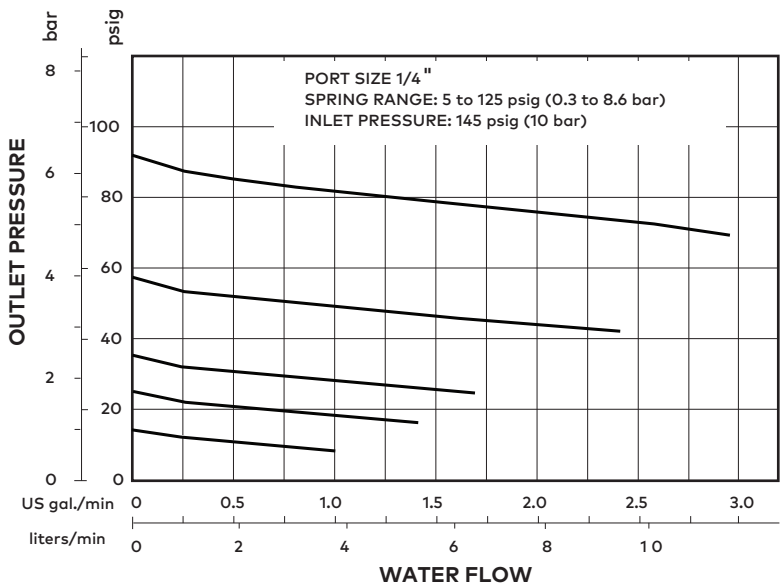
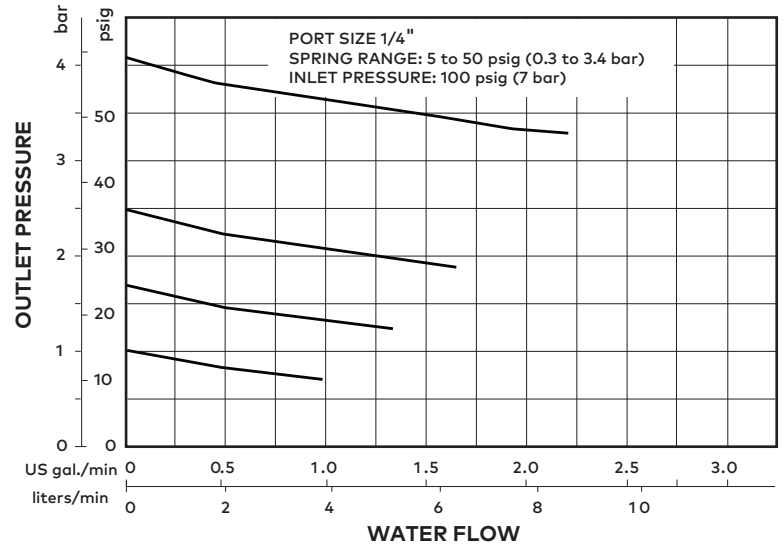
Item	Type	Part number
Service Kit	R91W	3407-93

Service kit contains slip ring, diaphragm, valve seat with o-ring, valve, and valve spring.

## Warning

Improper selection, misuse, age or malfunction of components used in systems can cause failure in various modes. The system designer is warned to consider the failure modes of all component parts and to provide adequate safeguards to prevent personal injury or damage to equipment or property in the event of such failure modes. System designers and end users are cautioned to consult instruction sheets and specifications available from the factory. The system designer/end user is responsible for verifying that all requirements for the application are met.

## Water Flow Characteristics



## Warranty

The products described herein are warranted subject to seller's Standard Terms and Condition of Sale, available at seller's website. Proposition 65: These products may contain chemicals known to the state of California to cause cancer, or birth defects, or other reproductive harm.