

Excelon® design allows in-line installation or modular installation with other Excelon® products

Push to lock adjusting knob with tamper resistant accessory

Helps protect air operated equipment from over pressure by retarding excessive pressure build up



**Technical data**

**Fluid:**  
Compressed air, neutral gases  
NOTE: Contact technical support for use with other media.  
**Maximum pressure:**  
300 psig (20 bar)

**Operating temperature\*:**  
(72) -30° to 150°F (-34° to 65°C)  
(74) -30° to 175°F (-34° to 80°C)  
\* Air supply must be dry enough to avoid ice formation at temperatures below 35°F (2°C).

**V72**  
**Gauge ports:**  
1/8" PTF with PTF main ports  
1/8" ISO Rc with ISO G main ports  
**Exhaust port:**  
1/4" PTF with PTF main ports  
1/4" ISO Rc with ISO G main ports

**Materials**  
**V72G**  
Body: zinc body  
Bonnet: acetal  
Elastomers: chloroprene  
Bottom plug: acetal  
**V74G**  
Body & bonnet: aluminum  
Elastomers: chloroprene  
Bottom plug: acetal

**Ordering information**

Models listed include PTF threads, knob adjustment, and a 5 to 150 psig (0.3 to 10 bar) relief pressure adjustment range, with gauge.\*

ISO Symbol	Size	Model	Service kit
	1/4	V72G-2AK-NMN	4209-03
	3/8	V74G-3AK-NMN	4384-700
	1/2	V74G-4AK-NMN	4384-700
	3/4	V74G-6AK-NMN	4384-700

Note: for Excelon 73 combinations use V74G.

**Options selector**

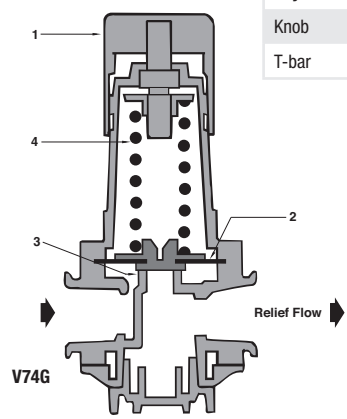
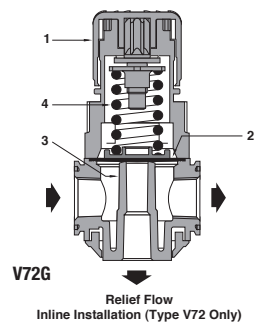
Series	Substitute
72	2
74	4
Port size	Substitute
1/4" (72)	2
3/8" (72, 74)	3
1/2" (74)	4
3/4" (74)	6
Threads	Substitute
PTF	A
ISO G	G

V7★G-★★★-N★★

Gauge	Substitute
With	G
Without	N
Relief pressure adjustment range*	Substitute
5 to 60 psig (0.3 to 4 bar)	F
5 to 150 psig (1 to 10 bar)	M
30 to 250 psig (2 to 17 bar)	S
Adjustment	Substitute
Knob	K
T-bar	T

\* Relief valve can be adjusted to pressures in excess of, and less than, those specified. Do not use these units to control pressures outside of the specified ranges.

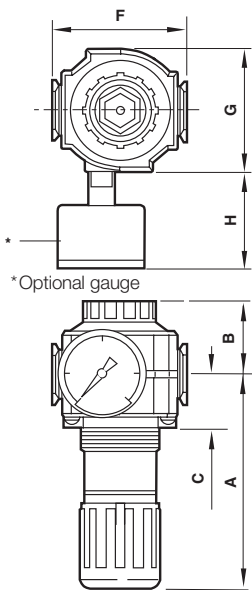
\*\* Units with 250 psig relief pressure range are available only with the T-bar adjustment; therefore substitute T at the 7th position and S at the 9th position.



Accessories

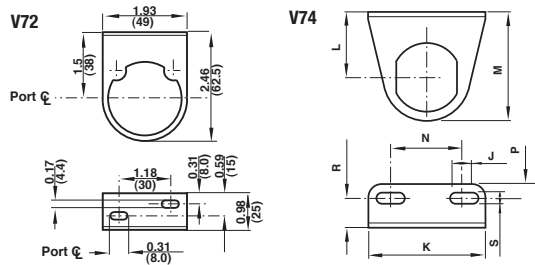
	Wall mounting bracket*	Neck mounting bracket	Gauge 0 ... 160 psig	Plastic panel nut	Tamper resistant cover and seal wire	Pipe adapters (quantity of 1) (NPT)	Quikclamp® (quantity of 1)	Quikclamp® and wall bracket (quantity of 1)	Service kit Diaphragm and seal
V72G	4224-50	74316-50	18-013-212	4248-89	4255-51	4215-02 (1/4) 4215-03 (3/8)	4214-51	4214-52	4209-03
V74G	4324-50	4368-51	18-013-209	4348-89	4355-51	4315-02 (3/8) 4315-03 (1/2) 4315-04 (3/4)	4314-51	4314-52	4384-700

\* Bracket kit does not include wall mounting screws.



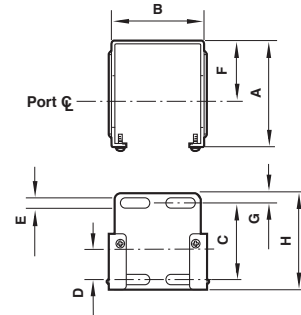
Series	A	B	C	F	G	H	Panel Ø	Panel depth
72	2.87	0.98	1.02	1.97	1.89	1.38	1.57	0 ... 0.2
74	5.00	1.69	1.22	3.15	2.91	2.20	2.05	0.08 ... 0.2

Neck mounting bracket



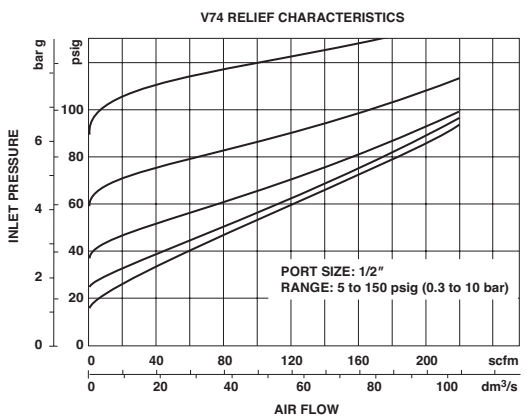
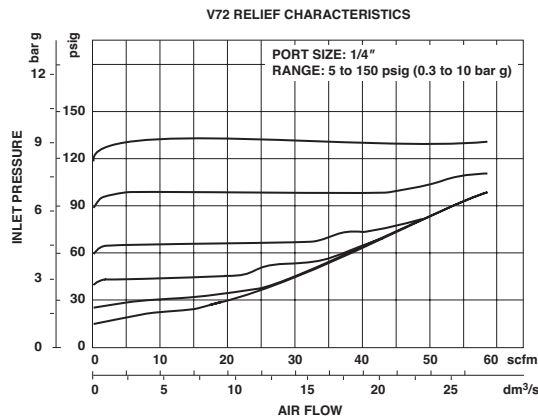
Series	J	K	L	M	N	P	R	S	T	V
72	0.31	1.93	1.50	2.50	1.18	0.94	-	0.17	0.31	0.59
74	0.94	3.50	2.05	3.39	2.20	1.38	0.91	0.28	-	-

Mounting bracket



Series	A	B	C	D	E	F	G	H
72	2.36	1.65	1.54	0.73	0.16	1.50	0.24	2.01
74	3.11	2.72	1.97	0.79	0.20	2.01	0.24	2.40

Typical performance characteristics



Dimensions in inches (mm)