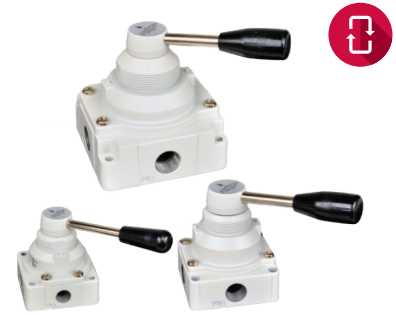


- > 1/8 to 3/4 NPT and ISO G
- > High flow rates
- > Easy to grasp and rotate lever
- > Panel mounting nut available
- > All positions detented



Technical features

Medium:
Compressed air, filtered, lubricated or non-lubricated

Port size:
1/8, 1/4, 3/8 1/2 and 3/4 NPT
1/8, 1/4, 3/8 1/2 and 3/4 ISO G

Operating pressure:
0 to 140 psi (0 to 9.7 bar)

Flow:
Cv = 0.4 to 3.1
(400 to 3100 l/min)

Ambient/Media temperature:
23°F to 140°F (-5°C to 60°C)
Air supply must be dry enough to avoid ice formation at temperatures below 35°F (2°C).

Materials:
Body and cover: Aluminum alloy
Lever rod seat: Zinc alloy
Lever rod: Carbon steel
Lever: POM
Panel mounting nut: Rolled steel
Seals: NBR

Technical data

Symbol	Function	Flow Cv (l/min)	Port size NPT	Weight lb. (kg)	Drawing No.	Model
	4/2	0.4 (400)	1/4	0.6 (0.28)	1	VHLA202-02A
	4/2	1.1 (1100)	3/8	0.9 (0.42)	2	VHLA302-03A
	4/2	3.1 (3100)	1/2	2.42 (1.1)	3	VHLA402-04A
	4/3 APB	0.4 (400)	1/8	0.6 (0.28)	1	VHLA200-01A
	4/3 APB	0.4 (400)	1/4	0.6 (0.28)	1	VHLA200-02A
	4/3 APB	1.1 (1100)	3/8	0.9 (0.42)	2	VHLA300-03A
	4/3 APB	3.1 (3100)	1/2	2.42 (1.1)	3	VHLA400-04A
	4/3 APB	3.1 (3100)	3/4	2.42 (1.1)	3	VHLA400-05A
	4/3 COE	0.4 (400)	1/4	0.6 (0.28)	1	VHLA201-02A
	4/3 COE	1.1 (1100)	3/8	0.9 (0.42)	2	VHLA301-03A
	4/3 COE	3.1 (3100)	1/2	2.42 (1.1)	3	VHLA401-04A

APB = All Ports Blocked
COE = Center Open to Exhaust

Caution:
These valves are not leak free, care should be taken with safety critical applications and where an APB valve is used to hold an actuator in a mid position.

Installation:
It is recommended that air pressure is applied only at port 1, otherwise leakage may occur - (ie. reverse porting is not recommended).
It is recommended that a silencer is fitted in the exhaust port, particularly in applications where dust is present.

Option selector

Body size	Substitute
1/4" Cv = 0.4 (400 l/min)	2
3/8" Cv = 1.1 (1100 l/min)	3
1/2" Cv = 3.1 (3100 l/min)	4

Function	Substitute
4/3 way valve, APB	0
4/3 way valve, COE	1
4/2 way valve	2

VHLA★0★-0★★

Thread	Substitute
NPT	A
ISO G	G

Port size	Body size	Substitute
1/8 (APB only)	1/4	1
1/4	1/4	2
3/8	3/8	3
1/2	1/2	4
3/4 (APB only)	1/2	5

Accessories

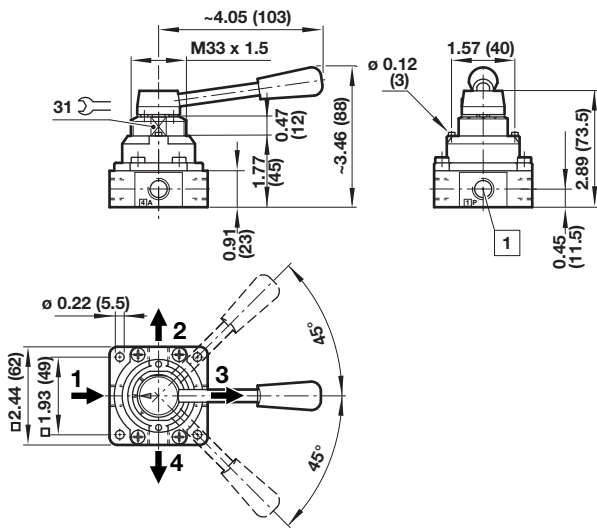
Valve series	Panel mount nut	Repair kit	Replacement lever
VHLA20..	VHLA-200N	VHLA-200KIT	VHLA-200L
VHLA30..	VHLA-300N	VHLA-300KIT	VHLA-300L
VHLA40..	VHLA-400N	VHLA-400KIT	VHLA-300L

Drawing

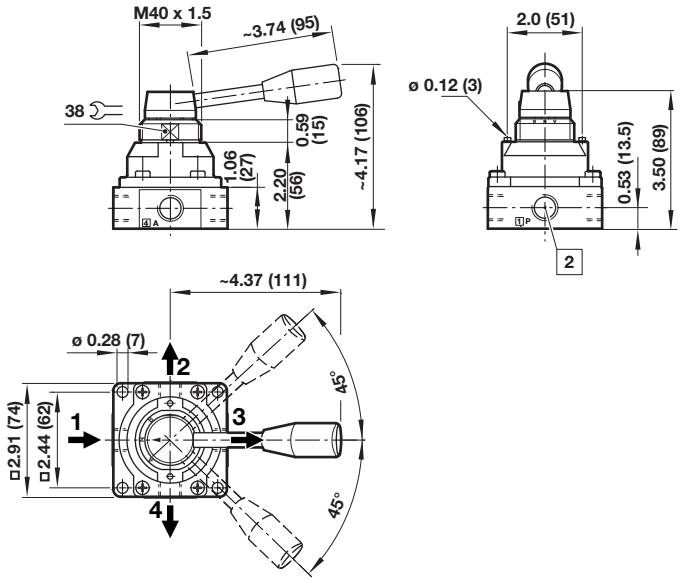
Dimensions in inches (mm)
Projection/First angle



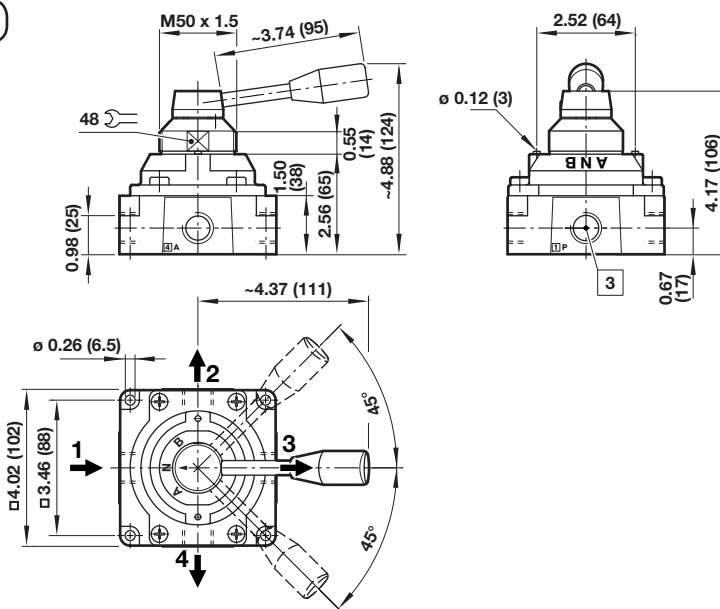
1



2

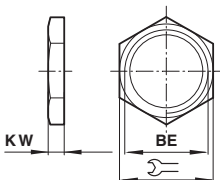



3



- 1 All ports 1/4 (1/8 option on APB only)
- 2 All ports 3/8
- 3 All ports 1/2 (3/4 option on APB only)

Panel mount nut



BE		KW	Weight lb. (kg)	Model
M33x1.5	40	0.24 (6)	1.1 (0.50)	VHLA-200N
M40x1.5	50	0.24 (6)	1.6 (0.75)	VHLA-300N
M50x1.5	55	0.31 (8)	2.2 (1.00)	VHLA-400N

Warning

Improper selection, misuse, age or malfunction of components used in systems can cause failure in various modes. The system designer is warned to consider the failure modes of all component parts and to provide adequate safeguards to prevent personal injury or damage to equipment or property in the event of such failure modes. System designers and end users are cautioned to consult instruction sheets and specifications available from the factory. The system designer/end user is responsible for verifying that all requirements for the application are met.

Warranty

The products described herein are warranted subject to seller's Standard Terms and Condition of Sale, available at seller's website.

Proposition 65: These products may contain chemicals known to the state of California to cause cancer, or birth defects, or other reproductive harm.