

Reliable, rugged proportional IP and E/P converters
Suitable for a wide range of applications
Excellent accuracy
High flow versions
NEMA4 environmental protection in normal operation



Technical data

Medium:

Oil free, dry air, filtered to 5 micron

Output pressure:

See table below

Flow capacity:

Up to 10 scfm (300 l/min)

Air consumption

<60 psig (<4 bar): 0.03 scfm (0.85 l/min) typical
 >60 psig (>4 bar): 0.06 scfm (1.75 l/min) typical

Operating pressure:

At least 10 psig (0.7 bar) above maximum required output pressure

Connections:

NPT 1/4" or 1/4" ISO G available

Operating temperature:

-4° to 160°F (-20°C to 70°C)

Response time

<30 psig (<2 bar): less than 0.5 seconds for 10-90% step change
 >30 psig (>2 bar): 2 seconds for 10-90% step change

Total error:

±0.5% of span (typical, independent error includes the combined effect of non-linearity, hysteresis, deadzone and repeatability)

Temperature effect:

Typically 0.1% of span/°F for span and zero over operating range

Supply sensitivity:

>0.025% span output change per % supply pressure change

Failure mode:

Signal falls to bleed pressure when electrical supply fails

Mounting:

Integral surface mounting bracket provided for preferred vertical mounting. 50 mm pipe mounting kit available

Material of construction:

Zinc die-casting passivated and epoxy paint, nitrile diaphragms, stainless steel/nylon flapper nozzle and supply valve
 Mass: 3.3 lbs (1500g) approx.

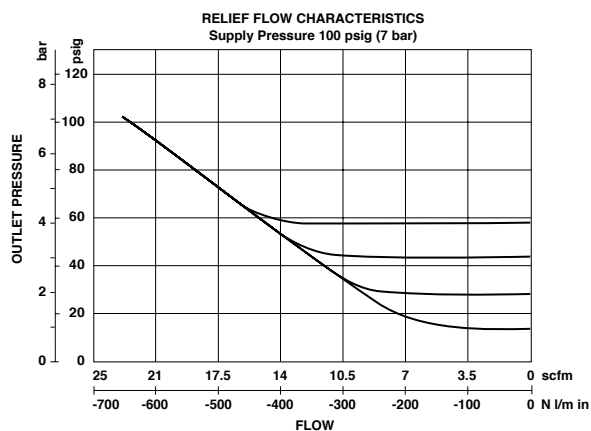
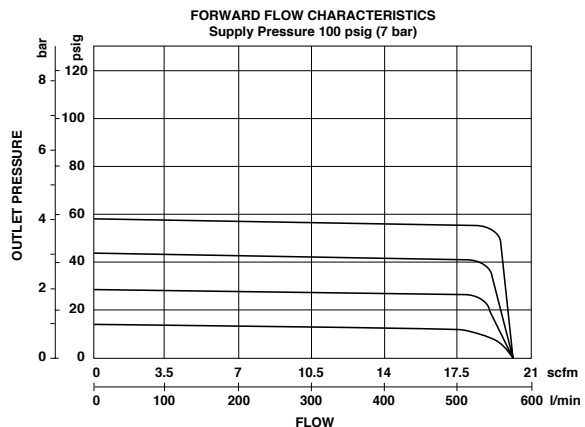
ISO Symbol	Part Number	Pressure range and input signal options			
		Control signal	Output pressure	Calibration	Thread form*
	VP1001PK100A00	0-10 V	3-15 psi (0.2-1 bar)	PSIG	1/4" NPT
	VP1001PK400A00	4-20 mA	3-15 psi (0.2-1 bar)	PSIG	1/4" NPT
	VP1002PK100A00	0-10 V	3-30 psi (0.2-2 bar)	PSIG	1/4" NPT
	VP1002PK400A00	4-20 mA	3-30 psi (0.2-2 bar)	PSIG	1/4" NPT
	VP1004PK100A00	0-10 V	3-60 psi (0.2-4 bar)	PSIG	1/4" NPT
	VP1004PK400A00	4-20 mA	3-60 psi (0.2-4 bar)	PSIG	1/4" NPT
	VP1006PK101A00	0-10 V	3-90 psi (0.2-6 bar)	PSIG	1/4" NPT
	VP1006PK401A00	4-20 mA	3-90 psi (0.2-6 bar)	PSIG	1/4" NPT
	VP1008PK101A00	0-10 V	3-120 psi (0.2-8 bar)	PSIG	1/4" NPT
	VP1008PK401A00	4-20 mA	3-120 psi (0.2-8 bar)	PSIG	1/4" NPT

Electrical Information

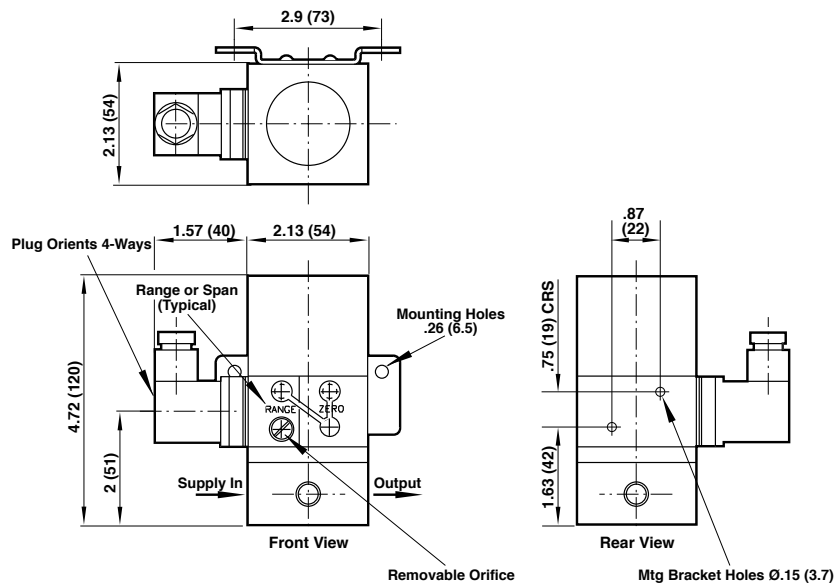
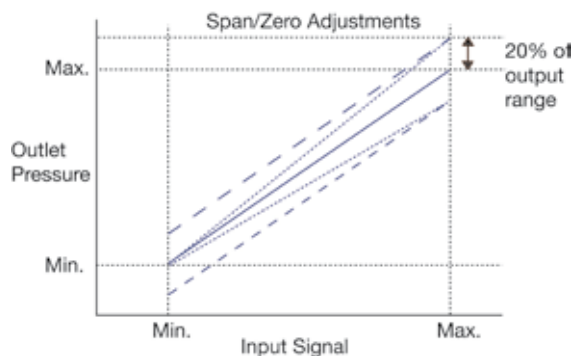
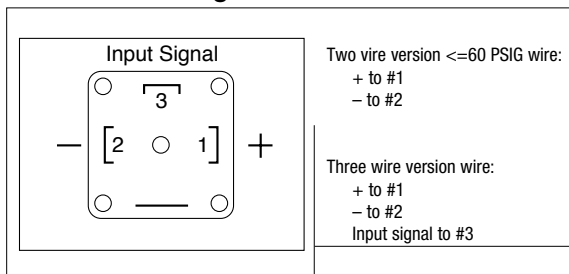
Electromagnetic compatibility	This is a passive electromagnetic instrument and is unaffected by interfering high frequency signals
Electrical signal	Two wire version 4-20 mA or 0-10 V for 60< PSIG Three wire version requires 12-24 V d.c. supply
Connections 30 mm square connector	DIN 43650 provided, mountable in four directions (alternative connections available)

* Replace PK wBJ for calibration in Bar and 1/4 ISO G thread form.

Typical Performance Characteristics



Connector Wiring



NC = Normally closed, NO = Normally open, APB = All ports blocked, COE = Center open exhaust, COP = Center open pressure
**** Insert coil connector code from Connectors table.
For manual override options, substitute 'x' as follows: 1 = without manual override, 2 = locking, 3 = non-locking,

Dimensions in inches (mm)