

24 VDC or 115 VAC Multipole
Integrated Fieldbus
Field expandable with single add-on stations
Dual spool technology
VS26G Glandless spool and sleeve for long life
VS26S Softseal spool for high flow
Wide range of accessories
ATEX
Universal PNP/NPN 24 VDC Multipole

Technical data
Medium

Compressed air, filtered to 40 µm, lubricated or non-lubricated

Operation

VS26G: Glandless spool valve, solenoid pilot actuated

VS26S: Softseal spool valve, solenoid pilot actuated

Mounting

Sub-base

Ports 2+4

NPTF 1/4, PIF 3/8, 8 mm, and 10 mm, G1/4

Operating pressure

Maximum pressure
145 psi (10 bar) VS26S models and VS26G solenoid pilot actuated valves with internal pilot supply,
232 psi (16 bar) VS26G solenoid pilot actuated valves with external pilot supply

Details of minimum and maximum pilot pressure see overleaf.

Flow characteristics

Series	Function	Cv	l/min
VS26G	5/2	1.02	1000
VS26G	5/3	1.02	1000
VS26S	2x2/2	1.17	1150
VS26S	2x3/2	1.27	1250
VS26S	5/2	1.37	1350
VS26S	5/3	1.37	1350

Ambient temperature

5°F to 122°F (-15°C to 50°C)

Medium temperature

23°F to 122°F (-5°C to 50°C)

Consult our technical service for use below 35°F (2°C).

Materials

Body/sub-base: die-cast aluminum
Glandless spool & sleeve (VS26G): aluminum, hard anodized, PTFE coated

Softseal spool (VS26S): aluminum with HNBR seals

Plastic parts: POM, PA, PPA

Mounting sheets/screws: steel, zinc coated

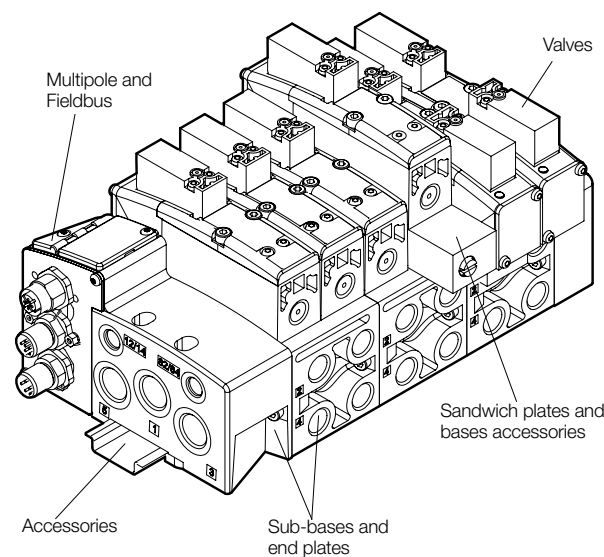
Springs: stainless steel

Sandwich plates: aluminum bar material

Electrical contacts: brass, tin/gold coated

PCB: glasepoxy

To order please use valve manifold configurator available at www.norgren.com/usa.



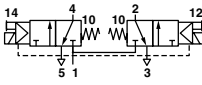
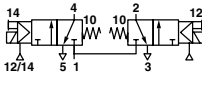
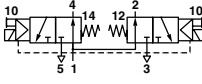
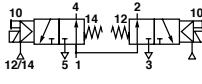
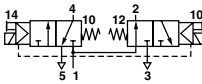
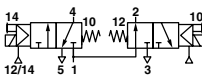
2x2/2 Double solenoid actuated Softseal valves flow = 1.17 Cv (1150 l/min)

	Model	Function 2 x 2/2	Actuation	Pilot supply	Pilot pressure psi	Operating pressure psi (bar)	Manual override	Voltage
	VS26SE11DF313A	NC	Sol/Spring	Internal	44 to 145 ¹	26" Hg to 145 (-0.9 to 10)	Push only	24 VDC 1.2W
	VS26SE11DF318A	NC	Sol/Spring	Internal	44 to 145 ¹	26" Hg to 145 (-0.9 to 10)	Push only	115 VAC 1.5VA
	VS26SE11DF213A	NC	Sol/Spring	Internal	44 to 145 ¹	26" Hg to 145 (-0.9 to 10)	Push & turn	24 VDC 1.2W
	VS26SE11DF218A	NC	Sol/Spring	Internal	44 to 145 ¹	26" Hg to 145 (-0.9 to 10)	Push & turn	115 VAC 1.5VA
	VS26SE11DF513A	NC	Sol/Spring	Internal	44 to 145 ¹	26" Hg to 145 (-0.9 to 10)	Extended, push only	24 VDC 1.2W
	VS26SE11DF518A	NC	Sol/Spring	Internal	44 to 145 ¹	26" Hg to 145 (-0.9 to 10)	Extended, push only	115 VAC 1.5VA
	VS26SE22DF313A	NC	Sol/Spring	External	25 + (0.35 x press. port 1) ²	26" Hg to 145 (-0.9 to 10)	Push only	24 VDC 1.2W
	VS26SE22DF318A	NC	Sol/Spring	External	25 + (0.35 x press. port 1) ²	26" Hg to 145 (-0.9 to 10)	Push only	115 VAC 1.5VA
	VS26SE22DF213A	NC	Sol/Spring	External	25 + (0.35 x press. port 1) ²	26" Hg to 145 (-0.9 to 10)	Push & turn	24 VDC 1.2W
	VS26SE22DF218A	NC	Sol/Spring	External	25 + (0.35 x press. port 1) ²	26" Hg to 145 (-0.9 to 10)	Push & turn	115 VAC 1.5VA
	VS26SE22DF513A	NC	Sol/Spring	External	25 + (0.35 x press. port 1) ²	26" Hg to 145 (-0.9 to 10)	Extended, push only	24 VDC 1.2W
	VS26SE22DF518A	NC	Sol/Spring	External	25 + (0.35 x press. port 1) ²	26" Hg to 145 (-0.9 to 10)	Extended, push only	115 VAC 1.5VA
	VS26SF11DF313A	NO	Sol/Spring	Internal	44 to 145 ¹	26" Hg to 145 (-0.9 to 10)	Push only	24 VDC 1.2W
	VS26SF11DF318A	NO	Sol/Spring	Internal	44 to 145 ¹	26" Hg to 145 (-0.9 to 10)	Push only	115 VAC 1.5VA
	VS26SF11DF213A	NO	Sol/Spring	Internal	44 to 145 ¹	26" Hg to 145 (-0.9 to 10)	Push & turn	24 VDC 1.2W
	VS26SF11DF218A	NO	Sol/Spring	Internal	44 to 145 ¹	26" Hg to 145 (-0.9 to 10)	Push & turn	115 VAC 1.5VA
	VS26SF11DF513A	NO	Sol/Spring	Internal	44 to 145 ¹	26" Hg to 145 (-0.9 to 10)	Extended, push only	24 VDC 1.2W
	VS26SF11DF518A	NO	Sol/Spring	Internal	44 to 145 ¹	26" Hg to 145 (-0.9 to 10)	Extended, push only	115 VAC 1.5VA
	VS26SF22DF313A	NO	Sol/Spring	External	25 + (0.35 x press. port 1) ²	26" Hg to 145 (-0.9 to 10)	Push only	24 VDC 1.2W
	VS26SF22DF318A	NO	Sol/Spring	External	25 + (0.35 x press. port 1) ²	26" Hg to 145 (-0.9 to 10)	Push only	115 VAC 1.5VA
	VS26SF22DF213A	NO	Sol/Spring	External	25 + (0.35 x press. port 1) ²	26" Hg to 145 (-0.9 to 10)	Push & turn	24 VDC 1.2W
	VS26SF22DF218A	NO	Sol/Spring	External	25 + (0.35 x press. port 1) ²	26" Hg to 145 (-0.9 to 10)	Push & turn	115 VAC 1.5VA
	VS26SF22DF513A	NO	Sol/Spring	External	25 + (0.35 x press. port 1) ²	26" Hg to 145 (-0.9 to 10)	Extended, push only	24 VDC 1.2W
	VS26SF22DF518A	NO	Sol/Spring	External	25 + (0.35 x press. port 1) ²	26" Hg to 145 (-0.9 to 10)	Extended, push only	115 VAC 1.5VA
	VS26SG11DF313A	NO/NC	Sol/Spring	Internal	44 to 145 ¹	26" Hg to 145 (-0.9 to 10)	Push only	24 VDC 1.2W
	VS26SG11DF318A	NO/NC	Sol/Spring	Internal	44 to 145 ¹	26" Hg to 145 (-0.9 to 10)	Push only	115 VAC 1.5VA
	VS26SG11DF213A	NO/NC	Sol/Spring	Internal	44 to 145 ¹	26" Hg to 145 (-0.9 to 10)	Push & turn	24 VDC 1.2W
	VS26SG11DF218A	NO/NC	Sol/Spring	Internal	44 to 145 ¹	26" Hg to 145 (-0.9 to 10)	Push & turn	115 VAC 1.5VA
	VS26SG11DF513A	NO/NC	Sol/Spring	Internal	44 to 145 ¹	26" Hg to 145 (-0.9 to 10)	Extended, push only	24 VDC 1.2W
	VS26SG11DF518A	NO/NC	Sol/Spring	Internal	44 to 145 ¹	26" Hg to 145 (-0.9 to 10)	Extended, push only	115 VAC 1.5VA
	VS26SG22DF313A	NO/NC	Sol/Spring	External	25 + (0.35 x press. port 1) ²	26" Hg to 145 (-0.9 to 10)	Push only	24 VDC 1.2W
	VS26SG22DF318A	NO/NC	Sol/Spring	External	25 + (0.35 x press. port 1) ²	26" Hg to 145 (-0.9 to 10)	Push only	115 VAC 1.5VA
	VS26SG22DF213A	NO/NC	Sol/Spring	External	25 + (0.35 x press. port 1) ²	26" Hg to 145 (-0.9 to 10)	Push & turn	24 VDC 1.2W
	VS26SG22DF218A	NO/NC	Sol/Spring	External	25 + (0.35 x press. port 1) ²	26" Hg to 145 (-0.9 to 10)	Push & turn	115 VAC 1.5VA
	VS26SG22DF513A	NO/NC	Sol/Spring	External	25 + (0.35 x press. port 1) ²	26" Hg to 145 (-0.9 to 10)	Extended, push only	24 VDC 1.2W
	VS26SG22DF518A	NO/NC	Sol/Spring	External	25 + (0.35 x press. port 1) ²	26" Hg to 145 (-0.9 to 10)	Extended, push only	115 VAC 1.5VA

Valve functions designations:
 NO = Normally open
 NC = Normally closed

NOTE: The supply ports for the 2x2/2 valves are port 3 & 5 on the end plate. Therefore the flow path is from port 3 to port 2 or port 5 to port 4. Port 1 is only used to supply internal pilot pressure. Therefore care must be used when selecting other valves to be used on the same manifold as the 2x2/2's. You may be required to use isolation plugs in ports 3 & 5 to ensure proper operation.

2x3/2 Double solenoid actuated Softseal valves flow = 1.27 Cv (1250 l/min)

	Model	Function 2 x 3/2	Actuation	Pilot supply	Pilot pressure psi	Operating pressure psi (bar)	Manual override	Voltage
	VS26SA11DF313A	NC	Sol/Spring	Internal	-	36 to 145 (2.5 to 10)	Push only	24 VDC 1.2W
	VS26SA11DF318A	NC	Sol/Spring	Internal	-	36 to 145 (2.5 to 10)	Push only	115 VAC 1.5VA
	VS26SA11DF213A	NC	Sol/Spring	Internal	-	36 to 145 (2.5 to 10)	Push & turn	24 VDC 1.2W
	VS26SA11DF218A	NC	Sol/Spring	Internal	-	36 to 145 (2.5 to 10)	Push & turn	115 VAC 1.5VA
	VS26SA11DF513A	NC	Sol/Spring	Internal	-	36 to 145 (2.5 to 10)	Extended, push only	24 VDC 1.2W
	VS26SA11DF518A	NC	Sol/Spring	Internal	-	36 to 145 (2.5 to 10)	Extended, push only	115 VAC 1.5VA
	VS26SA22DF313A	NC	Sol/Spring	External	25 + (0.5 x op. press.)	0 to 145 (0 to 10)	Push only	24 VDC 1.2W
	VS26SA22DF318A	NC	Sol/Spring	External	25 + (0.5 x op. press.)	0 to 145 (0 to 10)	Push only	115 VAC 1.5VA
	VS26SA22DF213A	NC	Sol/Spring	External	25 + (0.5 x op. press.)	0 to 145 (0 to 10)	Push & turn	24 VDC 1.2W
	VS26SA22DF218A	NC	Sol/Spring	External	25 + (0.5 x op. press.)	0 to 145 (0 to 10)	Push & turn	115 VAC 1.5VA
	VS26SA22DF513A	NC	Sol/Spring	External	25 + (0.5 x op. press.)	0 to 145 (0 to 10)	Extended, push only	24 VDC 1.2W
	VS26SA22DF518A	NC	Sol/Spring	External	25 + (0.5 x op. press.)	0 to 145 (0 to 10)	Extended, push only	115 VAC 1.5VA
	VS26SB11DF313A	NO	Sol/Spring	Internal	-	36 to 145 (2.5 to 10)	Push only	24 VDC 1.2W
	VS26SB11DF318A	NO	Sol/Spring	Internal	-	36 to 145 (2.5 to 10)	Push only	115 VAC 1.5VA
	VS26SB11DF213A	NO	Sol/Spring	Internal	-	36 to 145 (2.5 to 10)	Push & turn	24 VDC 1.2W
	VS26SB11DF218A	NO	Sol/Spring	Internal	-	36 to 145 (2.5 to 10)	Push & turn	115 VAC 1.5VA
	VS26SB11DF513A	NO	Sol/Spring	Internal	-	36 to 145 (2.5 to 10)	Extended, push only	24 VDC 1.2W
	VS26SB11DF518A	NO	Sol/Spring	Internal	-	36 to 145 (2.5 to 10)	Extended, push only	115 VAC 1.5VA
	VS26SB22DF313A	NO	Sol/Spring	External	25 + (0.5 x op. press.)	0 to 145 (0 to 10)	Push only	24 VDC 1.2W
	VS26SB22DF318A	NO	Sol/Spring	External	25 + (0.5 x op. press.)	0 to 145 (0 to 10)	Push only	115 VAC 1.5VA
	VS26SB22DF213A	NO	Sol/Spring	External	25 + (0.5 x op. press.)	0 to 145 (0 to 10)	Push & turn	24 VDC 1.2W
	VS26SB22DF218A	NO	Sol/Spring	External	25 + (0.5 x op. press.)	0 to 145 (0 to 10)	Push & turn	115 VAC 1.5VA
	VS26SB22DF513A	NO	Sol/Spring	External	25 + (0.5 x op. press.)	0 to 145 (0 to 10)	Extended, push only	24 VDC 1.2W
	VS26SB22DF518A	NO	Sol/Spring	External	25 + (0.5 x op. press.)	0 to 145 (0 to 10)	Extended, push only	115 VAC 1.5VA
	VS26SC11DF313A	NO/NC	Sol/Spring	Internal	-	36 to 145 (2.5 to 10)	Push only	24 VDC 1.2W
	VS26SC11DF318A	NO/NC	Sol/Spring	Internal	-	36 to 145 (2.5 to 10)	Push only	115 VAC 1.5VA
	VS26SC11DF213A	NO/NC	Sol/Spring	Internal	-	36 to 145 (2.5 to 10)	Push & turn	24 VDC 1.2W
	VS26SC11DF218A	NO/NC	Sol/Spring	Internal	-	36 to 145 (2.5 to 10)	Push & turn	115 VAC 1.5VA
	VS26SC11DF513A	NO/NC	Sol/Spring	Internal	-	36 to 145 (2.5 to 10)	Extended, push only	24 VDC 1.2W
	VS26SC11DF518A	NO/NC	Sol/Spring	Internal	-	36 to 145 (2.5 to 10)	Extended, push only	115 VAC 1.5VA
	VS26SC22DF313A	NO/NC	Sol/Spring	External	25 + (0.5 x op. press.)	0 to 145 (0 to 10)	Push only	24 VDC 1.2W
	VS26SC22DF318A	NO/NC	Sol/Spring	External	25 + (0.5 x op. press.)	0 to 145 (0 to 10)	Push only	115 VAC 1.5VA
	VS26SC22DF213A	NO/NC	Sol/Spring	External	25 + (0.5 x op. press.)	0 to 145 (0 to 10)	Push & turn	24 VDC 1.2W
	VS26SC22DF218A	NO/NC	Sol/Spring	External	25 + (0.5 x op. press.)	0 to 145 (0 to 10)	Push & turn	115 VAC 1.5VA
	VS26SC22DF513A	NO/NC	Sol/Spring	External	25 + (0.5 x op. press.)	0 to 145 (0 to 10)	Extended, push only	24 VDC 1.2W
	VS26SC22DF518A	NO/NC	Sol/Spring	External	25 + (0.5 x op. press.)	0 to 145 (0 to 10)	Extended, push only	115 VAC 1.5VA

Valve functions designations:
 NO = Normally open
 NC = Normally closed

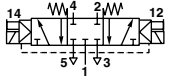
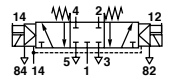
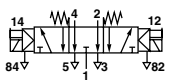
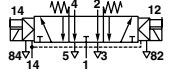
5/2 Single and double solenoid actuated Glandless valves flow = 1.02 Cv (1000 l/min)

	Model	Function	Actuation	Pilot supply	Pilot pressure psi (bar)	Operating pressure psi (bar)	Manual override	Voltage
	VS26G511DF313A	5/2	Sol/Sol	Internal	-	29 to 145 (2 to 10)	Push only	24 VDC 1.2W
	VS26G511DF318A	5/2	Sol/Sol	Internal	-	29 to 145 (2 to 10)	Push only	115 VAC 1.5VA
	VS26G511DF213A	5/2	Sol/Sol	Internal	-	29 to 145 (2 to 10)	Push & turn	24 VDC 1.2W
	VS26G511DF218A	5/2	Sol/Sol	Internal	-	29 to 145 (2 to 10)	Push & turn	115 VAC 1.5VA
	VS26G511DF513A	5/2	Sol/Sol	Internal	-	29 to 145 (2 to 10)	Extended, push only	24 VDC 1.2W
	VS26G522DF313A	5/2	Sol/Sol	External	29 to 145 (2 to 10)	26" Hg to 232 (-0.9 to 16)	Push only	24 VDC 1.2W
	VS26G522DF318A	5/2	Sol/Sol	External	29 to 145 (2 to 10)	26" Hg to 232 (-0.9 to 16)	Push only	115 VAC 1.5VA
	VS26G522DF213A	5/2	Sol/Sol	External	29 to 145 (2 to 10)	26" Hg to 232 (-0.9 to 16)	Push & turn	24 VDC 1.2W
	VS26G522DF218A	5/2	Sol/Sol	External	29 to 145 (2 to 10)	26" Hg to 232 (-0.9 to 16)	Push & turn	115 VAC 1.5VA
	VS26G522DF513A	5/2	Sol/Sol	External	29 to 145 (2 to 10)	26" Hg to 232 (-0.9 to 16)	Extended, push only	24 VDC 1.2W
	VS26G517DF313A	5/2	Sol/Spring	Internal	-	23 to 145 (1.6 to 10)	Push only	24 VDC 1.2W
	VS26G517DF318A	5/2	Sol/Spring	Internal	-	23 to 145 (1.6 to 10)	Push only	115 VAC 1.5VA
	VS26G517DF213A	5/2	Sol/Spring	Internal	-	23 to 145 (1.6 to 10)	Push & turn	24 VDC 1.2W
	VS26G517DF218A	5/2	Sol/Spring	Internal	-	23 to 145 (1.6 to 10)	Push & turn	115 VAC 1.5VA
	VS26G517DF513A	5/2	Sol/Spring	Internal	-	23 to 145 (1.6 to 10)	Extended, push only	24 VDC 1.2W
	VS26G527DF313A	5/2	Sol/Spring	External	23 to 145 (1.6 to 10)	26" Hg to 232 (-0.9 to 16)	Push only	24 VDC 1.2W
	VS26G527DF318A	5/2	Sol/Spring	External	23 to 145 (1.6 to 10)	26" Hg to 232 (-0.9 to 16)	Push only	115 VAC 1.5VA
	VS26G527DF213A	5/2	Sol/Spring	External	23 to 145 (1.6 to 10)	26" Hg to 232 (-0.9 to 16)	Push & turn	24 VDC 1.2W
	VS26G527DF218A	5/2	Sol/Spring	External	23 to 145 (1.6 to 10)	26" Hg to 232 (-0.9 to 16)	Push & turn	115 VAC 1.5VA
	VS26G527DF513A	5/2	Sol/Spring	External	23 to 145 (1.6 to 10)	26" Hg to 232 (-0.9 to 16)	Extended, push only	24 VDC 1.2W
VS26G527DF518A	5/2	Sol/Spring	External	23 to 145 (1.6 to 10)	26" Hg to 232 (-0.9 to 16)	Extended, push only	115 VAC 1.5VA	

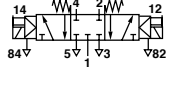
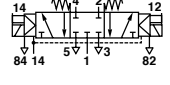
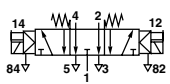
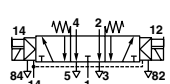
5/2 Single and double solenoid actuated Softseal valves flow = 1.37 Cv (1350 l/min)

	Model	Function	Actuation	Pilot supply	Pilot pressure psi (bar)	Operating pressure psi (bar)	Manual override	Voltage
	VS26S511DF313A	5/2	Sol/Sol	Internal	-	29 to 145 (2 to 10)	Push only	24 VDC 1.2W
	VS26S511DF318A	5/2	Sol/Sol	Internal	-	29 to 145 (2 to 10)	Push only	115 VAC 1.5VA
	VS26S511DF213A	5/2	Sol/Sol	Internal	-	29 to 145 (2 to 10)	Push & turn	24 VDC 1.2W
	VS26S511DF218A	5/2	Sol/Sol	Internal	-	29 to 145 (2 to 10)	Push & turn	115 VAC 1.5VA
	VS26S511DF513A	5/2	Sol/Sol	Internal	-	29 to 145 (2 to 10)	Extended, push only	24 VDC 1.2W
	VS26S522DF313A	5/2	Sol/Sol	External	29 to 145 (2 to 10)	26" Hg to 145 (-0.9 to 10)	Push only	24 VDC 1.2W
	VS26S522DF318A	5/2	Sol/Sol	External	29 to 145 (2 to 10)	26" Hg to 145 (-0.9 to 10)	Push only	115 VAC 1.5VA
	VS26S522DF213A	5/2	Sol/Sol	External	29 to 145 (2 to 10)	26" Hg to 145 (-0.9 to 10)	Push & turn	24 VDC 1.2W
	VS26S522DF218A	5/2	Sol/Sol	External	29 to 145 (2 to 10)	26" Hg to 145 (-0.9 to 10)	Push & turn	115 VAC 1.5VA
	VS26S522DF513A	5/2	Sol/Sol	External	29 to 145 (2 to 10)	26" Hg to 145 (-0.9 to 10)	Extended, push only	24 VDC 1.2W
	VS26S517DF313A	5/2	Sol/Spring	Internal	-	29 to 145 (2 to 10)	Push only	24 VDC 1.2W
	VS26S517DF318A	5/2	Sol/Spring	Internal	-	29 to 145 (2 to 10)	Push only	115 VAC 1.5VA
	VS26S517DF213A	5/2	Sol/Spring	Internal	-	29 to 145 (2 to 10)	Push & turn	24 VDC 1.2W
	VS26S517DF218A	5/2	Sol/Spring	Internal	-	29 to 145 (2 to 10)	Push & turn	115 VAC 1.5VA
	VS26S517DF513A	5/2	Sol/Spring	Internal	-	29 to 145 (2 to 10)	Extended, push only	24 VDC 1.2W
	VS26S527DF313A	5/2	Sol/Spring	External	29 to 145 (2 to 10)	26" Hg to 145 (-0.9 to 10)	Push only	24 VDC 1.2W
	VS26S527DF318A	5/2	Sol/Spring	External	29 to 145 (2 to 10)	26" Hg to 145 (-0.9 to 10)	Push only	115 VAC 1.5VA
	VS26S527DF213A	5/2	Sol/Spring	External	29 to 145 (2 to 10)	26" Hg to 145 (-0.9 to 10)	Push & turn	24 VDC 1.2W
	VS26S527DF218A	5/2	Sol/Spring	External	29 to 145 (2 to 10)	26" Hg to 145 (-0.9 to 10)	Push & turn	115 VAC 1.5VA
	VS26S527DF513A	5/2	Sol/Spring	External	29 to 145 (2 to 10)	26" Hg to 145 (-0.9 to 10)	Extended, push only	24 VDC 1.2W
VS26S527DF518A	5/2	Sol/Spring	External	29 to 145 (2 to 10)	26" Hg to 145 (-0.9 to 10)	Extended, push only	115 VAC 1.5VA	

5/3 Double solenoid actuated Glandless valves flow = 1.02 scfm (1000 l/min)

	Model	Function	Actuation	Pilot supply	Pilot pressure psi (bar)	Operating pressure psi (bar)	Manual override	Voltage
	VS26G611DF313A	APB	Sol/Sol	Internal	-	29 to 145 (2 to 10)	Push only	24 VDC 1.2W
	VS26G611DF318A	APB	Sol/Sol	Internal	-	29 to 145 (2 to 10)	Push only	115 VAC 1.5VA
	VS26G611DF213A	APB	Sol/Sol	Internal	-	29 to 145 (2 to 10)	Push & turn	24 VDC 1.2W
	VS26G611DF218A	APB	Sol/Sol	Internal	-	29 to 145 (2 to 10)	Push & turn	115 VAC 1.5VA
	VS26G611DF513A	APB	Sol/Sol	Internal	-	29 to 145 (2 to 10)	Extended, push only	24 VDC 1.2W
	VS26G622DF313A	APB	Sol/Sol	External	29 to 145 (2 to 10)	26" Hg to 232 (-0.9 to 16)	Push only	24 VDC 1.2W
	VS26G622DF318A	APB	Sol/Sol	External	29 to 145 (2 to 10)	26" Hg to 232 (-0.9 to 16)	Push only	115 VAC 1.5VA
	VS26G622DF213A	APB	Sol/Sol	External	29 to 145 (2 to 10)	26" Hg to 232 (-0.9 to 16)	Push & turn	24 VDC 1.2W
	VS26G622DF218A	APB	Sol/Sol	External	29 to 145 (2 to 10)	26" Hg to 232 (-0.9 to 16)	Push & turn	115 VAC 1.5VA
	VS26G622DF513A	APB	Sol/Sol	External	29 to 145 (2 to 10)	26" Hg to 232 (-0.9 to 16)	Extended, push only	24 VDC 1.2W
	VS26G622DF518A	APB	Sol/Sol	External	29 to 145 (2 to 10)	26" Hg to 232 (-0.9 to 16)	Extended, push only	115 VAC 1.5VA
	VS26G711DF313A	COE	Sol/Sol	Internal	-	29 to 145 (2 to 10)	Push only	24 VDC 1.2W
	VS26G711DF318A	COE	Sol/Sol	Internal	-	29 to 145 (2 to 10)	Push only	115 VAC 1.5VA
	VS26G711DF213A	COE	Sol/Sol	Internal	-	29 to 145 (2 to 10)	Push & turn	24 VDC 1.2W
	VS26G711DF218A	COE	Sol/Sol	Internal	-	29 to 145 (2 to 10)	Push & turn	115 VAC 1.5VA
	VS26G711DF513A	COE	Sol/Sol	Internal	-	29 to 145 (2 to 10)	Extended, push only	24 VDC 1.2W
	VS26G711DF518A	COE	Sol/Sol	Internal	-	29 to 145 (2 to 10)	Extended, push only	115 VAC 1.5VA
	VS26G722DF313A	COE	Sol/Sol	External	29 to 145 (2 to 10)	26" Hg to 232 (-0.9 to 16)	Push only	24 VDC 1.2W
	VS26G722DF318A	COE	Sol/Sol	External	29 to 145 (2 to 10)	26" Hg to 232 (-0.9 to 16)	Push only	115 VAC 1.5VA
	VS26G722DF213A	COE	Sol/Sol	External	29 to 145 (2 to 10)	26" Hg to 232 (-0.9 to 16)	Push & turn	24 VDC 1.2W
	VS26G722DF218A	COE	Sol/Sol	External	29 to 145 (2 to 10)	26" Hg to 232 (-0.9 to 16)	Push & turn	115 VAC 1.5VA
	VS26G722DF513A	COE	Sol/Sol	External	29 to 145 (2 to 10)	26" Hg to 232 (-0.9 to 16)	Extended, push only	24 VDC 1.2W
	VS26G722DF518A	COE	Sol/Sol	External	29 to 145 (2 to 10)	26" Hg to 232 (-0.9 to 16)	Extended, push only	115 VAC 1.5VA

5/3 Double solenoid actuated Softseal valves flow = 1.37 Cv (1350 l/min)

	Model	Function	Actuation	Pilot supply	Pilot pressure psi (bar)	Operating pressure psi (bar)	Manual override	Voltage
	VS26S611DF313A	APB	Sol/Sol	Internal	-	36 to 145 (2.5 to 10)	Push only	24 VDC 1.2W
	VS26S611DF318A	APB	Sol/Sol	Internal	-	36 to 145 (2.5 to 10)	Push only	115 VAC 1.5VA
	VS26S611DF213A	APB	Sol/Sol	Internal	-	36 to 145 (2.5 to 10)	Push & turn	24 VDC 1.2W
	VS26S611DF218A	APB	Sol/Sol	Internal	-	36 to 145 (2.5 to 10)	Push & turn	115 VAC 1.5VA
	VS26S611DF513A	APB	Sol/Sol	Internal	-	36 to 145 (2.5 to 10)	Extended, push only	24 VDC 1.2W
	VS26S611DF518A	APB	Sol/Sol	Internal	-	36 to 145 (2.5 to 10)	Extended, push only	115 VAC 1.5VA
	VS26S622DF313A	APB	Sol/Sol	External	36 to 145 (2.5 to 10)	26" Hg to 145 (-0.9 to 10)	Push only	24 VDC 1.2W
	VS26S622DF318A	APB	Sol/Sol	External	36 to 145 (2.5 to 10)	26" Hg to 145 (-0.9 to 10)	Push only	115 VAC 1.5VA
	VS26S622DF213A	APB	Sol/Sol	External	36 to 145 (2.5 to 10)	26" Hg to 145 (-0.9 to 10)	Push & turn	24 VDC 1.2W
	VS26S622DF218A	APB	Sol/Sol	External	36 to 145 (2.5 to 10)	26" Hg to 145 (-0.9 to 10)	Push & turn	115 VAC 1.5VA
	VS26S622DF513A	APB	Sol/Sol	External	36 to 145 (2.5 to 10)	26" Hg to 145 (-0.9 to 10)	Extended, push only	24 VDC 1.2W
	VS26S622DF518A	APB	Sol/Sol	External	36 to 145 (2.5 to 10)	26" Hg to 145 (-0.9 to 10)	Extended, push only	115 VAC 1.5VA
	VS26S711DF313A	COE	Sol/Sol	Internal	-	36 to 145 (2.5 to 10)	Push only	24 VDC 1.2W
	VS26S711DF318A	COE	Sol/Sol	Internal	-	36 to 145 (2.5 to 10)	Push only	115 VAC 1.5VA
	VS26S711DF213A	COE	Sol/Sol	Internal	-	36 to 145 (2.5 to 10)	Push & turn	24 VDC 1.2W
	VS26S711DF218A	COE	Sol/Sol	Internal	-	36 to 145 (2.5 to 10)	Push & turn	115 VAC 1.5VA
	VS26S711DF513A	COE	Sol/Sol	Internal	-	36 to 145 (2.5 to 10)	Extended, push only	24 VDC 1.2W
	VS26S711DF518A	COE	Sol/Sol	Internal	-	36 to 145 (2.5 to 10)	Extended, push only	115 VAC 1.5VA
	VS26S722DF313A	COE	Sol/Sol	External	36 to 145 (2.5 to 10)	26" Hg to 145 (-0.9 to 10)	Push only	24 VDC 1.2W
	VS26S722DF318A	COE	Sol/Sol	External	36 to 145 (2.5 to 10)	26" Hg to 145 (-0.9 to 10)	Push only	115 VAC 1.5VA
	VS26S722DF213A	COE	Sol/Sol	External	36 to 145 (2.5 to 10)	26" Hg to 145 (-0.9 to 10)	Push & turn	24 VDC 1.2W
	VS26S722DF218A	COE	Sol/Sol	External	36 to 145 (2.5 to 10)	26" Hg to 145 (-0.9 to 10)	Push & turn	115 VAC 1.5VA
	VS26S722DF513A	COE	Sol/Sol	External	36 to 145 (2.5 to 10)	26" Hg to 145 (-0.9 to 10)	Extended, push only	24 VDC 1.2W
	VS26S722DF518A	COE	Sol/Sol	External	36 to 145 (2.5 to 10)	26" Hg to 145 (-0.9 to 10)	Extended, push only	115 VAC 1.5VA

APB = All ports blocked COE = Center open to exhaust

Valve part no. breakdown

VS26***DF*****A**

Spool technology	Substitute
Glandless spool & sleeve	G
Softseal spool	S
Guiding systems	Substitute
2x3/2 Normally closed ¹⁾	A
2x3/2 Normally open 1)	B
2x3/2 Normally open/Normally closed 1)	C
2x2/2 Normally closed ¹⁾	E
2x2/2 Normally open ¹⁾	F
2x2/2 Normally open/Normally closed ¹⁾	G
5/2	5
5/3 All ports blocked	6
5/3 Center open exhaust	7

¹⁾ Available with softseal spool only

Voltage	Substitute
24 VDC 1.2W	13
115 VAC 1.5VA	18
Manual override	Substitute
Push & turn	2
Push only	3
Extended, push only	5
Actuation/Pilot supply	Substitute
Solenoid/Spring Internal pilot supply	17
Solenoid/Spring External pilot supply	27
Solenoid/Solenoid Internal pilot supply	11
Solenoid/Solenoid External pilot supply	22

Electrical details for solenoid operators

Voltage tolerances	(24 VDC) +/- 10%
Voltage tolerances	(115V AC) +15%/-10%
Rating	100 % Continuous duty
Inlet orifice	0.8 mm
Indication	LED green
Surge suppression	Transil diode
Materials	PPS (body), FPM and NBR (seal)

Protection classification (IP Code)

All VS26 valve manifolds fulfill IP65 and NEMA4 ratings.

Power supply and precautions

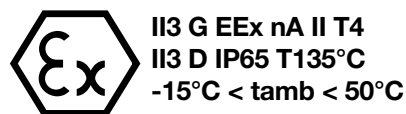
All VS26 24 V d.c products are designed to be used with a protective extra low voltage (PELV) power supply.

All VS26 115 V a.c products correspond to the protection class I. Connection of the protective earth (PE) ground is required.

ATEX

The 24 V d.c Multipole and Fieldbus valve manifolds fulfill the requirement of the standard 94/9/EC for intended use in hazardous locations.

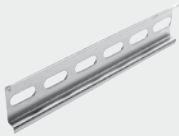






Equipment group, category, type of protection:



The Declaration of Conformity of the valve manifolds was conducted by Electrosuisse, who issued number SEV 04 ATEX 0114 X.

Please review all ATEX data and notes in the maintenance and instruction booklet to eliminate any risks, allowing for safe function of the valve manifolds.

Accessories

DIN EN 50 022 rail 3 ft (1 meter)	DIN-rail mounting kit	Single Blanking disc to modular sub-base	Manual override set-up kit	Extended manual override kit	Spare valve identification labels ¹⁾	Blanking plug for base connector hole ²⁾
						
V10009-C00 35 x 7.5 mm	V70531-KA0	V70522-K00 (1 disc, fits in ports 1, 3, 5)	VS2672906-KG00	VS2672960-KG00	VS2672905-KG00 (10 pcs)	VS2672914-KG00
V10592-C01 35 x 15 mm		V70523-K00 (1 disc, fits in ports 12/14)				

1) When purchasing assembled valve manifolds from Norgren, valve identification labels are included.

2) When V44/V45 valves are fitted on VS26 bases.

Base accessories



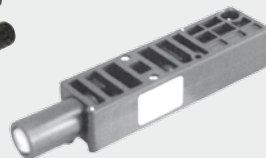


Intermediate supply/exhaust module	Blanking plate	Replacement gauge
		
VS2672902-RG00 (NPTF1/4) VS2672902-BG00 (G1/4)	VS2672904-KG00	V70534-500

Pilot valves




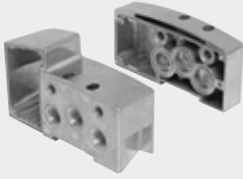
Part no.	Description	Voltage	Manual override
VS2672930-KG00*	Pilot valve	24 VDC 1.2W	Push only
VS2672932-KG00*	Pilot valve	24 VDC 1.2W	Push & turn
VS2672934-KG00*	Pilot valve	24 VDC 1.2W	Extended, push only
VS2672931-KG00*	Pilot valve	115 VAC 1.5VA	Push only
VS2672933-KG00*	Pilot valve	115 VAC 1.5VA	Push & turn
VS2672935-KG00*	Pilot valve	115 VAC 1.5VA	Extended, push only

* Kit includes screws, gasket and V-ring

Sandwich plates

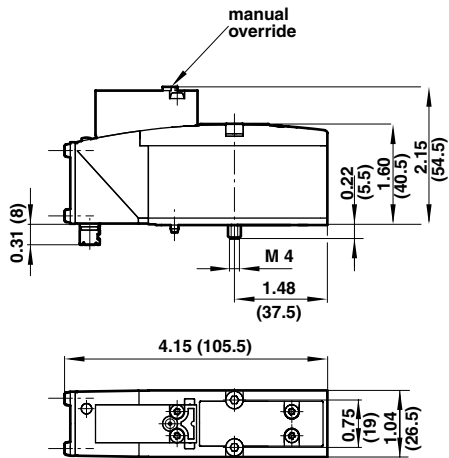
Single pressure regulator	Double pressure regulator plate	Flow control plate	Sandwich plate with additional port 1	Single valve shut-off plate
				
VS2672900-KG10 (port 1) VS2672900-KG20 (port 2) VS2672900-KG30 (port 4)	VS2672900-KG40 (port 2+4)	VS2672901-KG00 (ports 3+5)	VS2672929-KG00 (NPTF 1/4) VS2672928-KG00 (G1/4)	VS2672903-KG00 (port 1)

Sub-bases and end plates

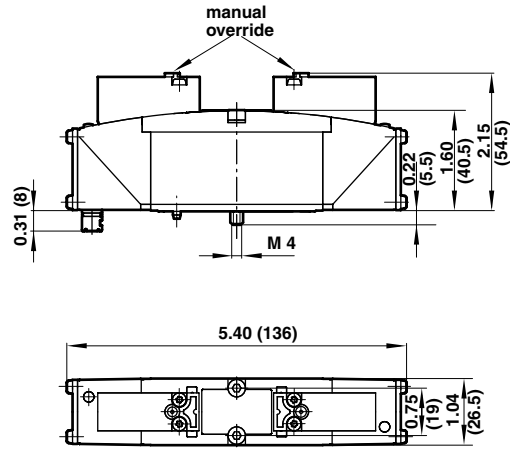
Single station sub-base	Double station modular sub-base	Single station modular sub-base	End plate kit
			

Valve dimensions

VS26*5*7DF*1*A models
 5/2 Single solenoid pilot valve
 Mechanical spring return



VS26**DF*1*A models**
 2x2/2, 2x3/2, 5/2 and 5/3 Double solenoid pilot valve

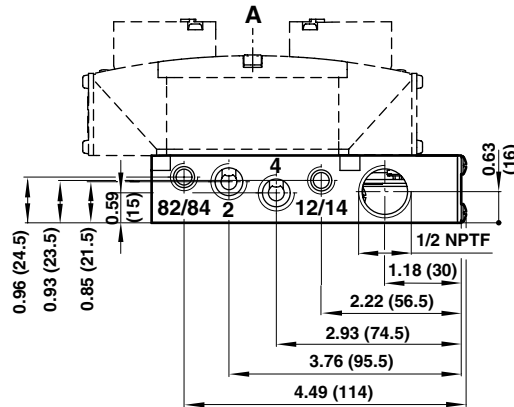
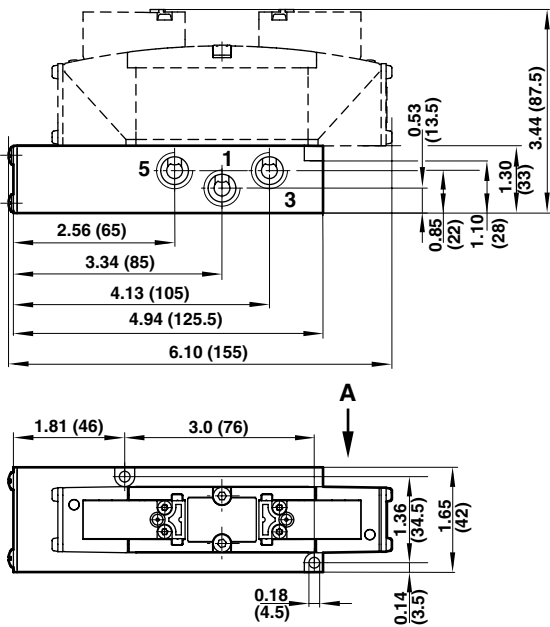


Dimensions in inches (mm)

Single station sub-base

Model	Description	Ports 1, 3 & 5	Ports 12/14 & 82/84	Ports 2 & 4	Connector type
VS2672510-RG00	Single station sub-base for 24 VDC	NPTF1/4	NPTF1/8	NPTF1/4	M12
VS2672511-RG00	Single station sub-base for 24 VDC and 115 VAC	NPTF1/4	NPTF1/8	NPTF1/4	NPTF1/2 conduit
VS2672510-BG00	Single station sub-base for 24 VDC	G1/4	G1/8	G1/4	M12

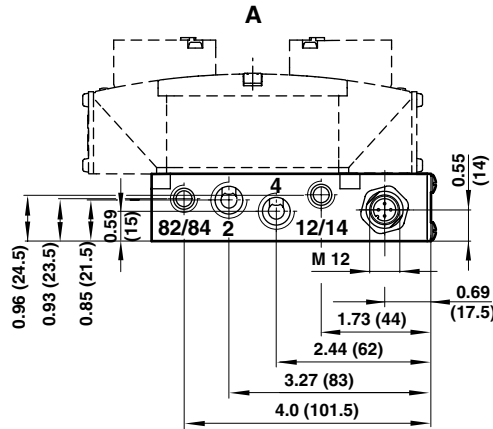
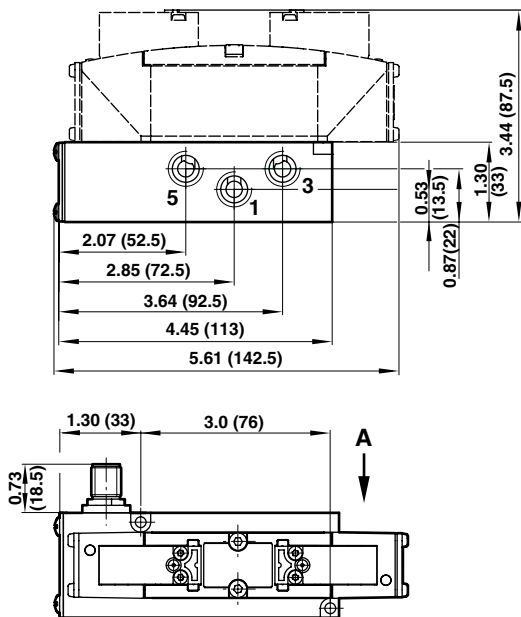
Connector type: NPTF1/2 Conduit with flying leads



Wiring information

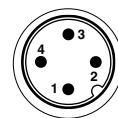
Wire color	Function
Green	Earth
Yellow	Signal for solenoid 12
Black	Common for solenoid 12 and 14
Red	Signal for solenoid 14

Connector type: M12



Pin assignment (acc. VDMA 24571)

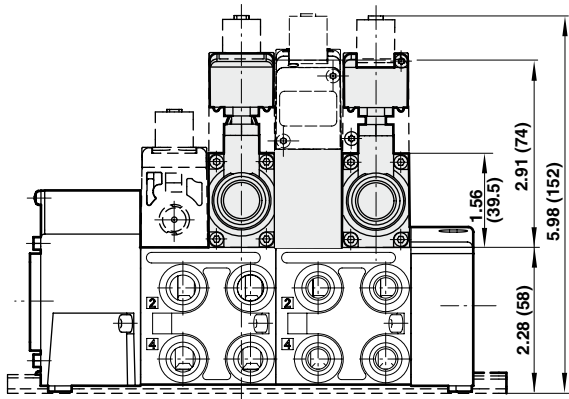
Pin no.	Function
1	Not used
2	Signal for solenoid 12
3	Common for solenoid 12 and 14
4	Signal for solenoid 14



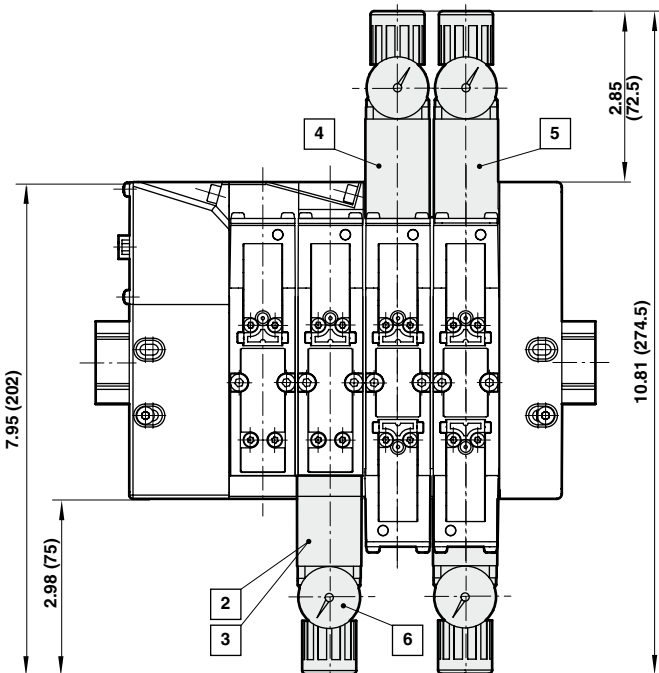
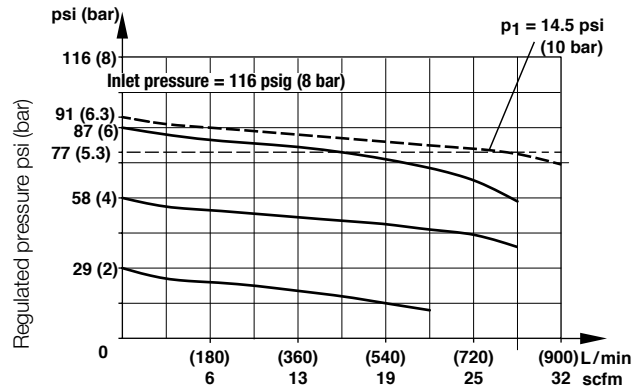
Dimensions in inches (mm)

Pressure regulator sandwich plates

Symbol	Model	Description	Symbol	Model	Description
	VS2672900-KG10	Regulation of port 1, regulator on side 12		VS2672900-KG30	Regulation of port 4, regulator on side 14
	VS2672900-KG20	Regulation of port 2, regulator on side 12		VS2672900-KG40	Regulation of port 2+4

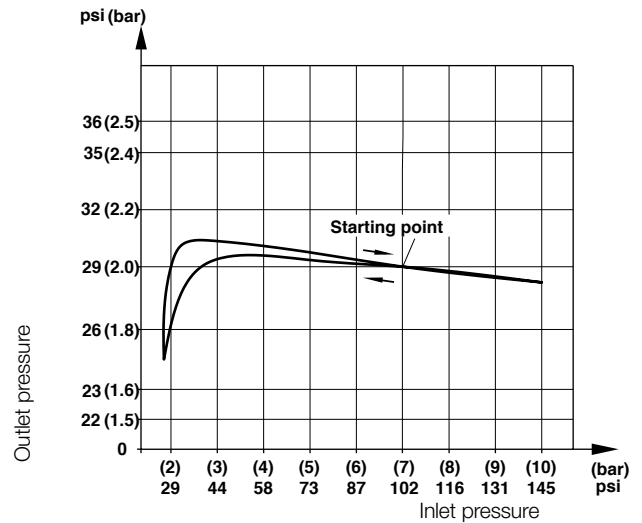


Flow characteristics for pressure regulator plates



Gauge part number = V70534-500

Hysteresis

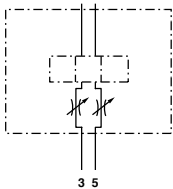
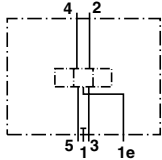


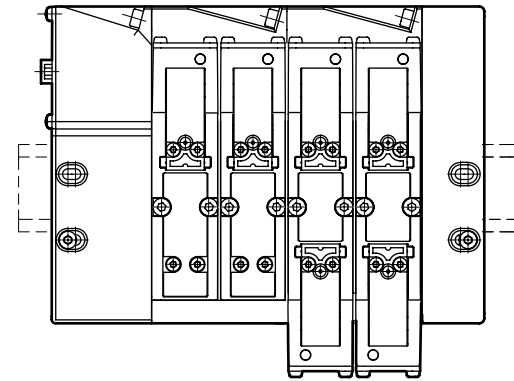
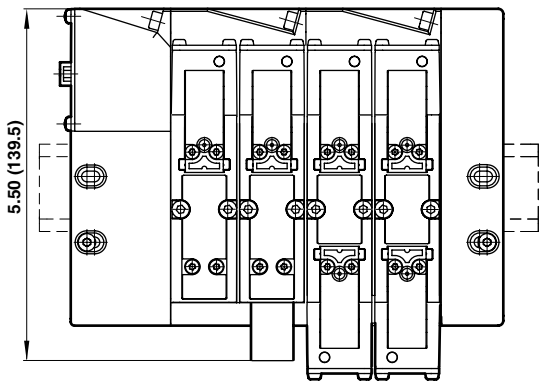
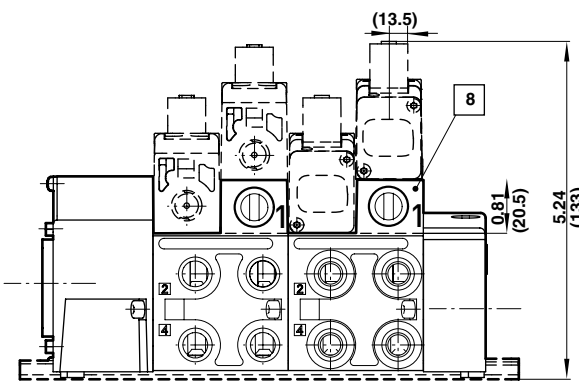
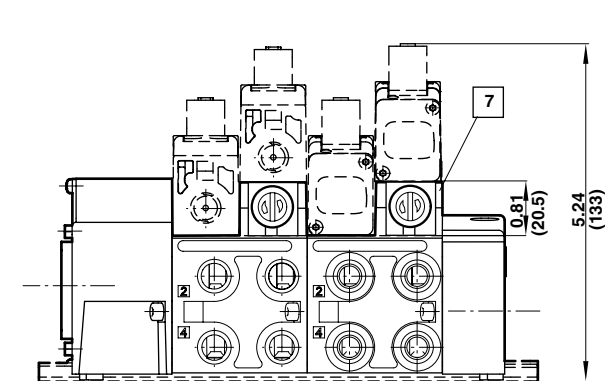
- 2 Regulation of port 1
- 3 Regulation of port 2
- 4 Regulation of port 4
- 5 Regulation of port 2+4
- 6 Gauge

Dimensions in inches (mm)

Flow control sandwich plate

Sandwich plate with additional pressure port 1

Symbol	Model	Description	Symbol	Model	Description
	VS2672901-KG00	Flow control supplied with gasket, dual regulation of exhaust ports 3 and 5		VS1872928-KF00	Sandwich plate with additional pressure port 1 (G1/4), supplied with gasket
				VS1872929-KF00	Sandwich plate with additional pressure port 1 (NPTF1/4), supplied with gasket



7 Flow regulator plate

8 Sandwich plate with additional pressure port 1

Flow characteristics

Dual regulation of exhaust ports 3 and 5

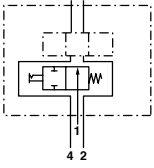


Flow: port 1-2 and 1-4: remains unchanged.
 Flow measured at 87 psi (6 bar) inlet, pressure drop 14.5 psi (1 bar)

Dimensions in inches (mm)

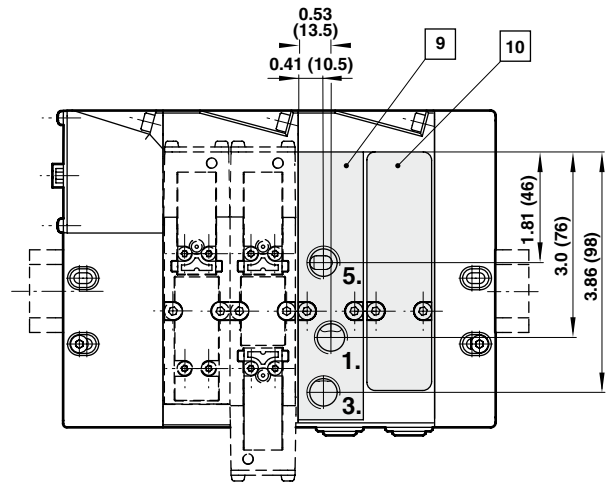
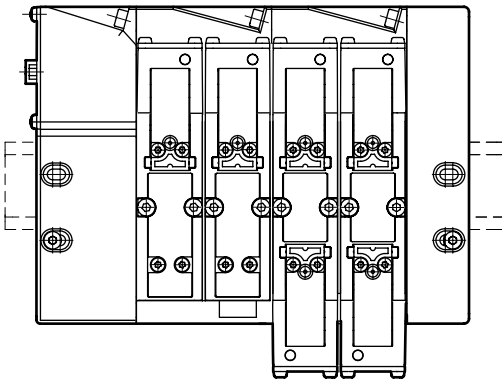
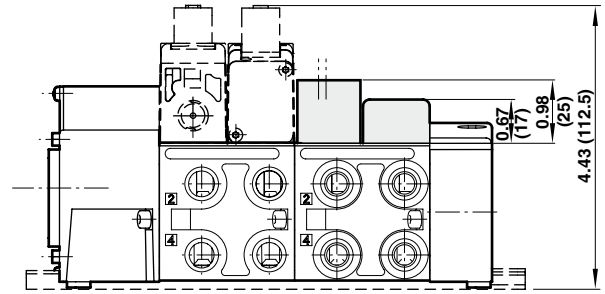
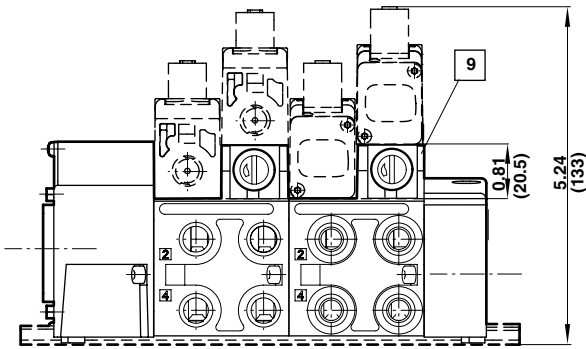
Single valve shut-off plate

Base accessories

Symbol	Model	Description	Model	Description
	VS2672903-KG00	Single valve shut-off plate supplied with gasket	VS2672902-RG00	Intermediate supply/exhaust module, port size NPTF 1/4
			VS2672902-BG00	Intermediate supply/exhaust module, port size G1/4
			VS2672902-KG00	Blanking plate for blocking of unused station (supplied with gasket)

Allows individual exchange of valve while valve island is pressurised by port 1.

Flow restricted to max. Cv 0.56 (550 L/min.)



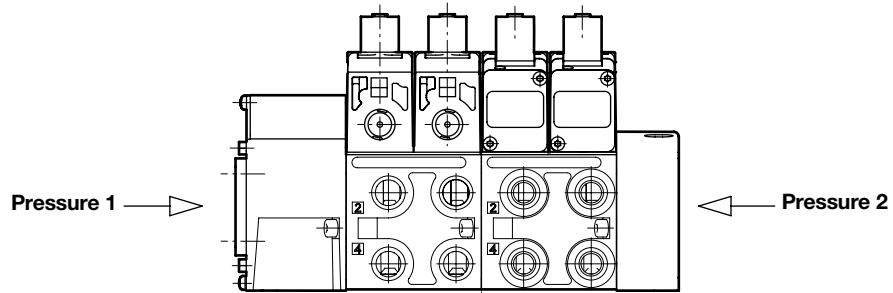
- 9 Single valve shut-off plate
- 10 Intermediate supply/exhaust module
- 11 Blanking plate

Dimensions in inches (mm)

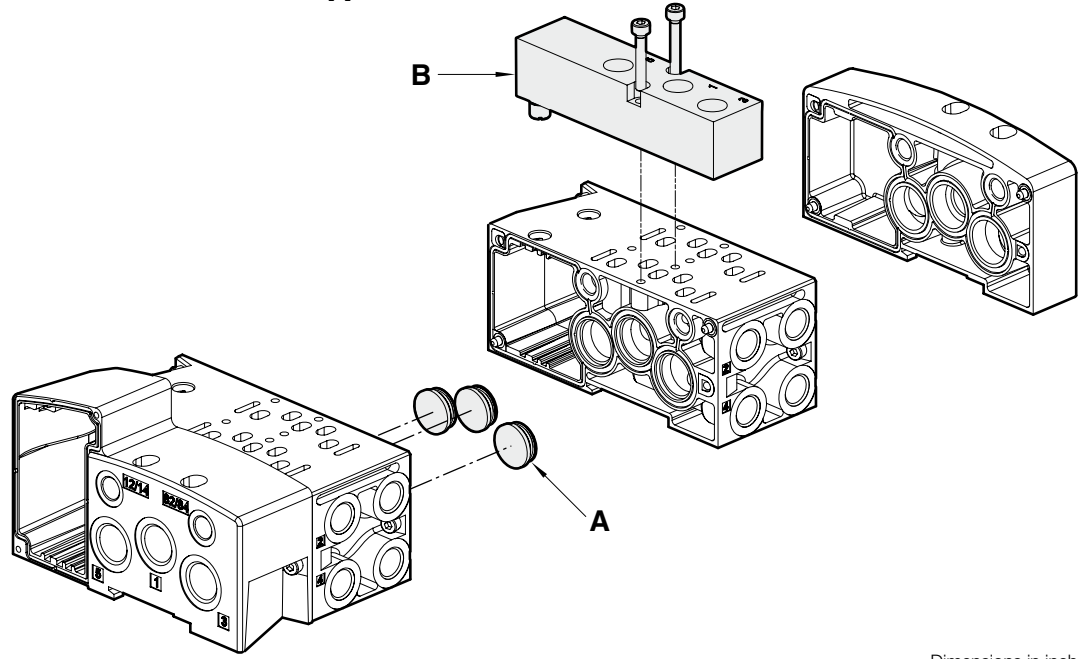
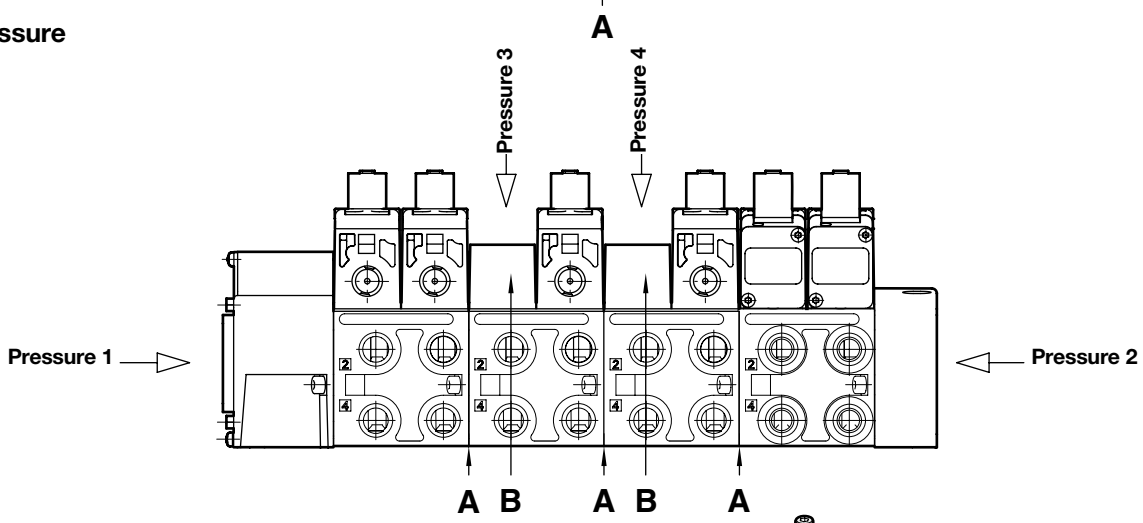
Multi pressure configurations

A		B	
Blanking disc	Type	Intermediate supply/exhaust module	Type
V70522-K00	Suitable for ports 1, 3 or 5	VS2672902-RG00A	NPTF1/4
		VS2672902-BG00A	G1/4

Dual pressure



Multi pressure

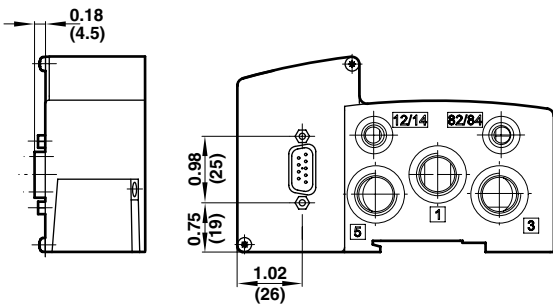


Dimensions in inches (mm)

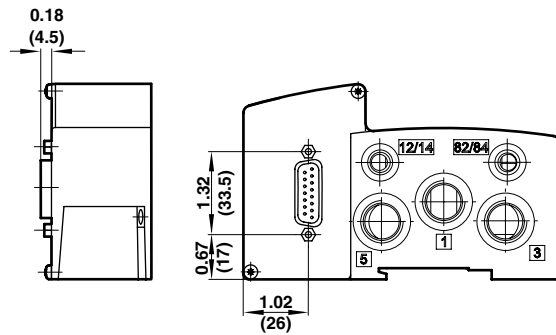
Multipole options

Connector type	Voltage	No. of stations	Max. no. coils
D-Sub 9-pin	24 VDC	02/03/04	8
D-Sub 15-pin	24 VDC	02/03/04/05/06/07	14
D-Sub 25-pin	24 VDC	02/03/04/05/06/07/08/09/10/11/12	24
D-Sub 44-pin	24 VDC	08/09/10/11/12/13/14/15/16	32
M23 19-pin	115 VAC, 24 VDC	02/03/04/05/06/07/08	16
NPTF1 Conduit entry with terminals	115 VAC, 24VDC	02/03/04/05/06/07/08/09/10/11/12	24

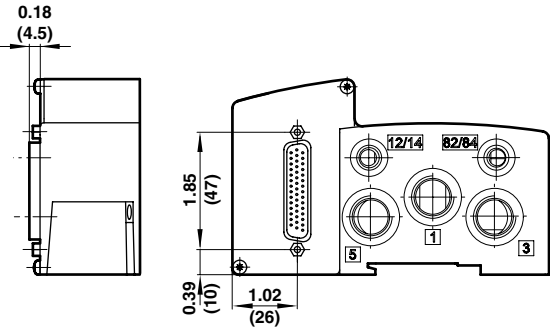
D-Sub 9-pin



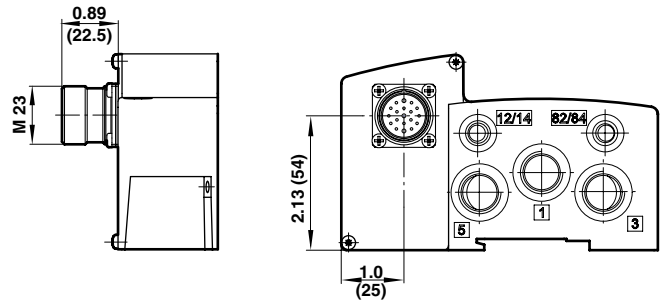
D-Sub 15-pin



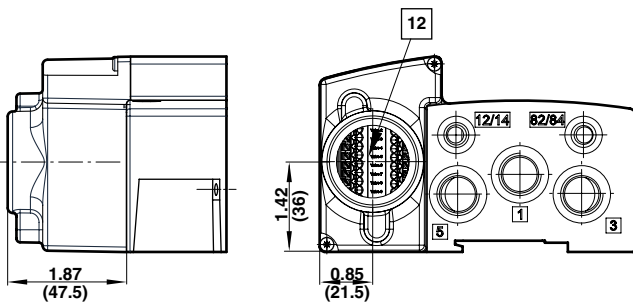
D-Sub 25-pin / 44-pin



M23 19-pin








NPTF1 Conduit entry with terminals



Dimensions in inches (mm)

12 Max. wire size AWG18

Multipole accessories

D-Sub connector 9-pin IP65 1)		D-Sub connector 15-pin IP65 1)		D-Sub connector 25-pin IP65 1)		D-Sub connector 44-pin IP65 1)		M23 connector 19-pin IP65 1)	
									
VS2672910-KG00	3' (1m)	VS2672915-KG00	3' (1m)	V11569-E01	3' (1m)	V11570-E01	3' (1m)	VS2672943-KG00	3' (1m)
VS2672911-KG00	10' (3m)	VS2672916-KG00	10' (3m)	V11569-E03	10' (3m)	V11570-E03	10' (3m)	VS2672944-KG00	10' (3m)
VS2672912-KG00	16' (5m)	VS2672917-KG00	16' (5m)	V11569-E05	16' (5m)	V11570-E05	16' (5m)	VS2672945-KG00	16' (5m)

1) Required for ATEX

D-Sub connector 9-pin^{A)}

Pin no.	Wire color	Socket	Pilot	Station
1	White	Solenoid 1-a	14	1
2	Brown	Solenoid 2-a	14	2
3	Green	Solenoid 3-a	14	3
4	Yellow	Solenoid 4-a	14	4
5	Grey	Solenoid 1-b	12	1
6	Pink	Solenoid 2-b	12	2
7	Blue	Solenoid 3-b	12	3
8	Red	Solenoid 4-b	12	4
9	Black	Common	-	-

D-Sub connector 25-pin^{A)}

Pin no.	Wire color	Socket	Pilot	Station
1	White	Solenoid 1-a	14	1
2	Brown	Solenoid 2-a	14	2
3	Green	Solenoid 3-a	14	3
4	Yellow	Solenoid 4-a	14	4
5	Grey	Solenoid 5-a	14	5
6	Pink	Solenoid 6-a	14	6
7	Blue	Solenoid 7-a	14	7
8	Red	Solenoid 8-a	14	8
9	Black	Solenoid 9-a	14	9
10	Violet	Solenoid 10-a	14	10
11	Grey/Pink	Solenoid 11-a	14	11
12	Red/Blue	Solenoid 12-a	14	12
13	White/Green	Common	-	-
14	Brown/Green	Solenoid 1-b	12	1
15	White/Yellow	Solenoid 2-b	12	2
16	Yellow/Brown	Solenoid 3-b	12	3
17	White/Grey	Solenoid 4-b	12	4
18	Grey/Brown	Solenoid 5-b	12	5
19	White/Pink	Solenoid 6-b	12	6
20	Pink/Brown	Solenoid 7-b	12	7
21	White/Blue	Solenoid 8-b	12	8
22	Brown/Blue	Solenoid 9-b	12	9
23	White/Red	Solenoid 10-b	12	10
24	Brown/Red	Solenoid 11-b	12	11
25	White/Black	Solenoid 12-b	12	12

D-Sub connector 15-pin^{A)}

Pin no.	Wire color	Socket	Pilot	Station
1	White	Solenoid 1-a	14	1
2	Brown	Solenoid 2-a	14	2
3	Green	Solenoid 3-a	14	3
4	Yellow	Solenoid 4-a	14	4
5	Grey	Solenoid 5-a	14	5
6	Pink	Solenoid 6-a	14	6
7	Blue	Solenoid 7-a	14	7
8	Red	Solenoid 1-b	12	1
9	Black	Solenoid 2-b	12	2
10	Violet	Solenoid 3-b	12	3
11	Grey/Pink	Solenoid 4-b	12	4
12	Red/Blue	Solenoid 5-b	12	5
13	White/Green	Solenoid 6-b	12	6
14	Brown/Green	Solenoid 7-b	12	7
15	White/Yellow	Common	-	-

A) According to DIN 47100

D-Sub connector 44-pin

Pin no.	Wire color	Socket	Pilot	Station
1	White	Solenoid 1-a	14	1
2	Brown	Solenoid 2-a	14	2
3	Green	Solenoid 3-a	14	3
4	Yellow	Solenoid 4-a	14	4
5	Grey	Solenoid 5-a	14	5
6	Pink	Solenoid 6-a	14	6
7	Blue	Solenoid 7-a	14	7
8	Red	Solenoid 8-a	14	8
9	Black	Solenoid 9-a	14	9
10	Violet	Solenoid 10-a	14	10
11	Grey/pink	Solenoid 11-a	14	11
12	Red/blue	Solenoid 12-a	14	12
13	White/green	Solenoid 13-a	14	13
14	Brown/green	Solenoid 14-a	14	14
15	White/yellow	Solenoid 15-a	14	15
16	Yellow/brown	Solenoid 1-b	12	1
17	White/grey	Solenoid 2-b	12	2
18	Grey/brown	Solenoid 3-b	12	3
19	White/pink	Solenoid 4-b	12	4
20	Pink/brown	Solenoid 5-b	12	5
21	White/blue	Solenoid 6-b	12	6
22	Brown/blue	Solenoid 7-b	12	7
23	White/red	Solenoid 8-b	12	8
24	Brown/red	Solenoid 9-b	12	9
25	White/black	Solenoid 10-b	12	10
26	Brown/black	Solenoid 11-b	12	11
27	Grey/green	Solenoid 12-b	12	12
28	Yellow/grey	Solenoid 13-b	12	13
29	Pink/green	Solenoid 14-b	12	14
30	Yellow/pink	Solenoid 15-b	12	15
31	Green/blue	Solenoid 16-a	14	16
32	Yellow/blue	Solenoid 16-b	12	16
33	-	not used	-	-
34	-	not used	-	-
35	-	not used	-	-
36	-	not used	-	-
37	-	not used	-	-
38	-	not used	-	-
39	-	not used	-	-
40	-	not used	-	-
41	-	not used	-	-
42	-	not used	-	-
43	Green/black	Common	-	-
44	Yellow/black	Common	-	-

M23 connector 19-pin

Pin no.	Wire color	Socket	Pilot	Station
1	White	Solenoid 8-a	14	8
2	Green/Brown	Solenoid 6-a	14	6
3	Green	Solenoid 4-a	14	4
4	Yellow	Solenoid 2-b	12	2
5	Grey	Solenoid 2-a	14	2
6	Blue (thick)	Common	-	-
7	White/Grey	Solenoid 1-b	12	1
8	Red	Solenoid 3-b	12	3
9	Black	Solenoid 5-b	12	5
10	Violet	Solenoid 7-b	12	7
11	Grey/Pink	Solenoid 7-a	14	7
12	Yellow/Green	Earth	-	-
13	White/Green	Solenoid 6-b	12	6
14	Brown/Green	Solenoid 4-b	12	4
15	White/Yellow	Solenoid 1-a	14	1
16	Yellow/Brown	Solenoid 3-a	14	3
17	Pink	Solenoid 5-a	14	5
18	Red/Blue	Solenoid 8-b	12	8
19	Brown (thick)	NOT USED	-	-

NPTF1 Conduit entry with terminals ²⁾

Clamp no.	Socket	Pilot	Station
C1	Solenoid 1-a	14	1
C2	Solenoid 2-a	14	2
C3	Solenoid 3-a	14	3
C4	Solenoid 4-a	14	4
C5	Solenoid 5-a	14	5
C6	Solenoid 6-a	14	6
C7	Solenoid 7-a	14	7
C8	Solenoid 8-a	14	8
C9	Solenoid 9-a	14	9
C10	Solenoid 10-a	14	10
C11	Solenoid 11-a	14	11
C12	Solenoid 12-a	14	12
C13	Solenoid 1-b	12	1
C14	Solenoid 2-b	12	2
C15	Solenoid 3-b	12	3
C16	Solenoid 4-b	12	4
C17	Solenoid 5-b	12	5
C18	Solenoid 6-b	12	6
C19	Solenoid 7-b	12	7
C20	Solenoid 8-b	12	8
C21	Solenoid 9-b	12	9
C22	Solenoid 10-b	12	10
C23	Solenoid 11-b	12	11
C24	Solenoid 12-b	12	12
C25	Common	-	-
C26	Common	-	-
C27	Earth	-	-
C28	Earth	-	-

2) Max. wire size AWG18

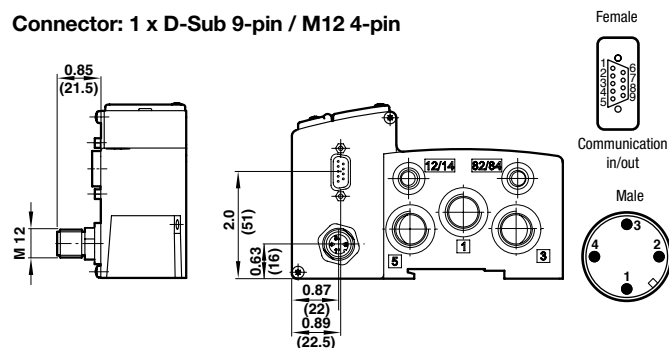
Fieldbus options: Overview

Fieldbus protocol	Fieldbus interface/connector	Supply voltage connector (Fieldbus and valves)	No. of stations	Max no. coils
Profibus DP	1 x D-Sub 9-pin	M12 4-pin	04/05/06/07/08/09/10/11/12/13/14/15/16	32
	2 x M12 5-pin	M12 4-pin	04/05/06/07/08/09/10/11/12/13/14/15/16	32
	2 x M12 5-pin	7/8 5-pin	04/05/06/07/08/09/10/11/12/13/14/15/16	32
Interbus-S	2 x D-Sub 9-pin	M12 4-pin	04/05/06/07/08/09/10/11/12/13/14/15/16	32
AS-Interface - Single slave	1 x M12 4-pin	M12 4-pin	02/03/04	4
AS-Interface - Double slave	1 x M12 4-pin	M12 4-pin	04/05/06/07/08	8
DeviceNet	1 x M12 5-pin	M12 4-pin	04/05/06/07/08/09/10/11/12/13/14/15/16	32
CANopen	1 x M12 5-pin	M12 4-pin	04/05/06/07/08/09/10/11/12/13/14/15/16	32
AB RIO	2 x M12 5-pin	M12 4-pin	04/05/06/07/08/09/10/11/12/13/14/15/16	32

For parts and assembly instructions of Fieldbus components, consult our technical service.

Fieldbus protocol: Profibus DP

Connector: 1 x D-Sub 9-pin / M12 4-pin



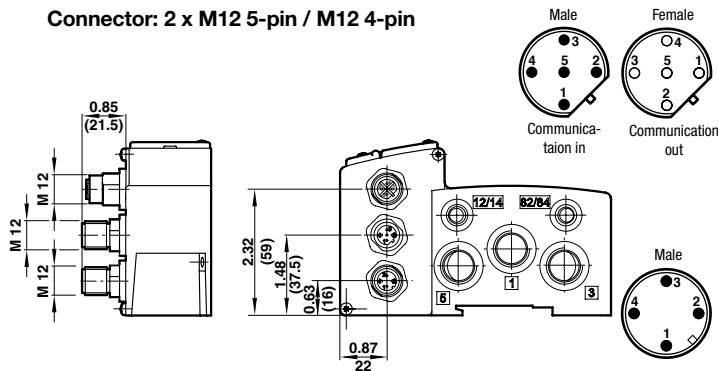
Bus connector: D-Sub 9-pin

Pin no.	Function
1	Shield
2	N/C
3	B-line (red) RxD / TxD-P
4	N/C
5	DGND (OVI) isolated
6	VP (5VI) isolated
7	N/C
8	A-line (green) RxD / TxD-N
9	N/C

Power connector: M12 4-pin

Pin no.	Function	Tolerance	Max. current
1	24 VB logic circuit supply	+/-25%	300 mA
2	24 VA valves	+/-10%	1)
3	0 volts	-	2)
4	Earth	-	-

Connector: 2 x M12 5-pin / M12 4-pin



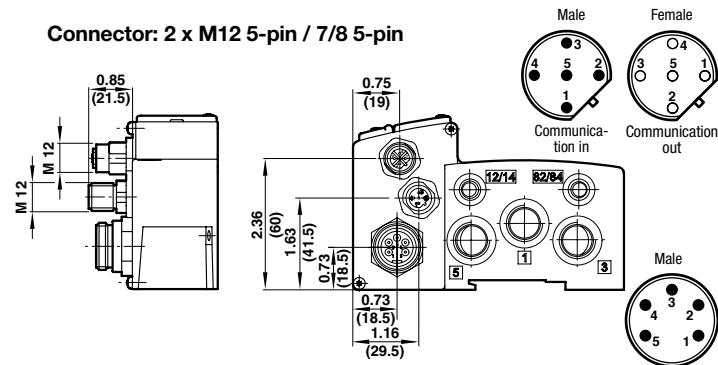
Bus connector: M12 5-pin (B-coded)

Pin no.	Function
1	5VI opto isolated
2	A-line (green)
3	OVI isolated
4	B-line (red)
5	Shield
Threaded joint	Shield

Power connector: M12 4-pin

Pin no.	Function	Tolerance	Max. current
1	24 VB logic circuit supply	+/-25%	300 mA
2	24 VA valves	+/-10%	1)
3	0 volts	-	2)
4	Earth	-	-

Connector: 2 x M12 5-pin / 7/8 5-pin



Bus connector: M12 5-pin (B-coded)

Pin. no	Function
1	5VI isolated
2	A-line (green)
3	OVI isolated
4	B-line (red)
5	Shield
Threaded joint	Shield

Power connector: 7/8 5-pin

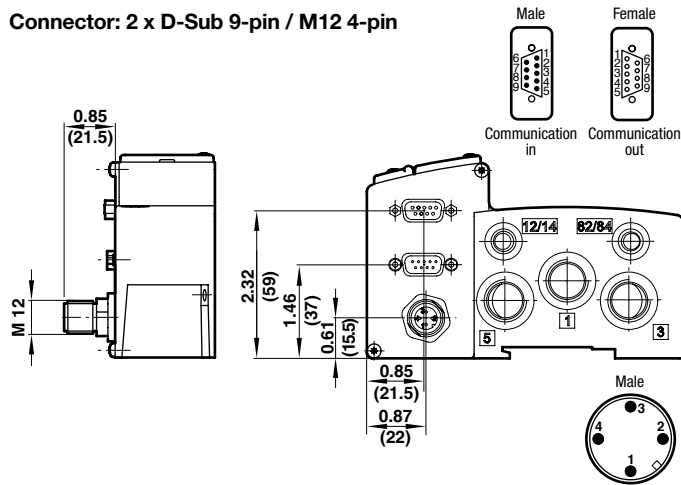
Pin no.	Function	Tolerance	Max. current
1	-	-	-
2	0 volts	-	2)
3	Earth	-	-
4	24 VA valves	+/-10%	1)
5	24 VB logic circuit supply	+/-25%	300 mA

1) $I_{max} = 10 \text{ mA} + n \cdot 60 \text{ mA}$
 $n = \text{number of energized solenoids}$
 2) $I_{max} = I_{VA} + I_{VB}$

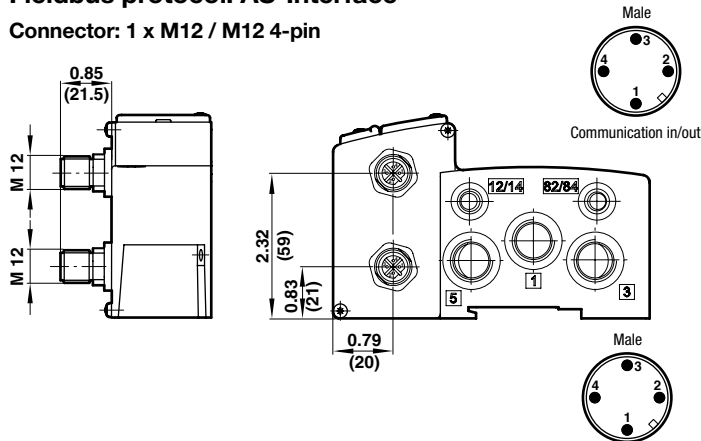
Dimensions in inches (mm)

Fieldbus protocol: Interbus-S

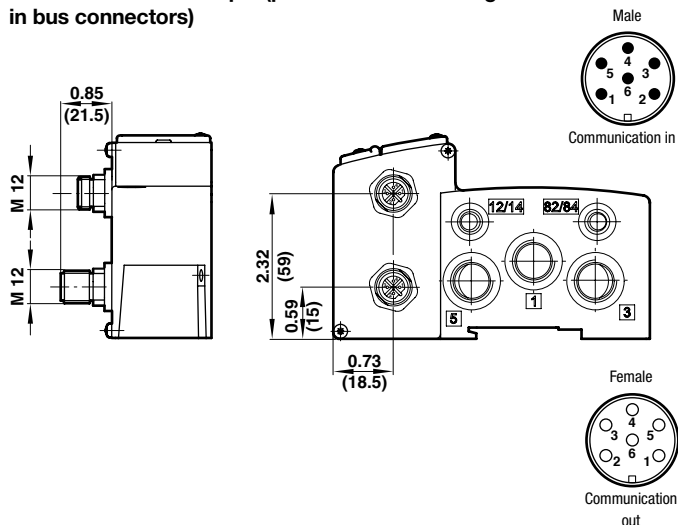
Connector: 2 x D-Sub 9-pin / M12 4-pin

**Fieldbus protocol: AS-Interface**

Connector: 1 x M12 / M12 4-pin

**Fieldbus protocol: FD67 bus**

Connector: 2 x M12 6-pin (power connector integrated in bus connectors)

**Bus connector: D-Sub 9-pin**

Pin no.	Function Male	Function Female
1	DO	DO
2	DI	DI
3	OVI	OVI
4	-	-
5	-	+5VI
6	/DO	/DO
7	/DI	/DI
8	-	-
9	-	RBST

Power connector: M12 4-pin

Pin no.	Function	Tolerance	Max. current
1	24 VB logic circuit supply	+/-25%	300 mA
2	24 VA valves	+/-10%	1)
3	0 volts	-	2)
4	Earth	-	-

Bus connector: M12 4-pin

Pin no.	Function	Max. current
1	AS-I	3)
2	-	-
3	AS-I	-
4	-	-

Power connector: M12 4-pin

Pin no.	Function	Tolerance	Max. current
1	+24 V DC	+/-10%	4)
2	-	-	-
3	0 volts	-	-
4	-	-	-

Bus connector: M12 6-pin

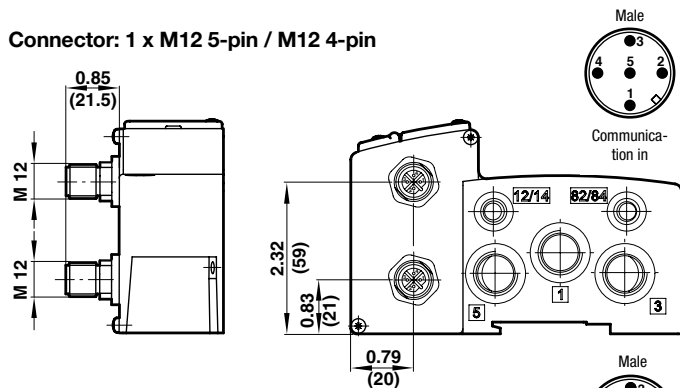
Pin no.	Function	Tolerance	Max. current
1	24 V actuator supply	±10%	5)
2	24 V sensor supply/internal supply	±25%	30 mA
3	Ground	-	-
4	Internal system connection	-	-
5	Internal system connection	-	-
6	Ground	-	-

- $I_{max} = 10 \text{ mA} + n \cdot 60 \text{ mA}$
 $n = \text{number of energized solenoids}$
- $I_{max} = \sqrt{VA} + \sqrt{VB}$
- Single slave: 40 mA
Double slave: 75 mA
- Single slave:
 $I_{max} = 20 \text{ mA} + n \cdot 60 \text{ mA}$
Double slave:
 $I_{max} = 35 \text{ mA} + n \cdot 60 \text{ mA}$
 $n = \text{number of energized solenoids}$
- $I_{max} = n \cdot 60 \text{ mA}$
 $n = \text{number of energized solenoids}$

Dimensions in inches (mm)

Fieldbus protocol: DeviceNet

Connector: 1 x M12 5-pin / M12 4-pin



Bus connector: M12 5-pin (A-coded)

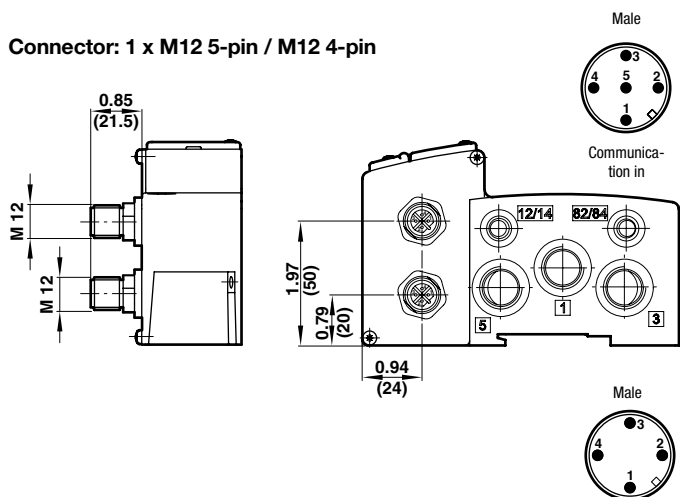
Pin no.	Function
1	Drain
2	V+ ³⁾
3	V- ³⁾
4	CAN_H
5	CAN_L

Power connector: M12 4-pin

Pin no.	Function	Tolerance	Max. current
1	24 VB logic circuit supply	+/-25%	300 mA
2	24 VA valves	+/-10%	1)
3	0 volts	-	2)
4	Earth	-	

Fieldbus protocol: CANopen

Connector: 1 x M12 5-pin / M12 4-pin



Bus connector: M12 5-pin (A-coded)

Pin no.	Function
1	Drain
2	V+ ³⁾
3	V- ³⁾
4	CAN_H
5	CAN_L



Power connector: M12 4-pin

Pin no.	Function	Tolerance	Max. current
1	24 VB logic circuit supply	+/-25%	300 mA
2	24 VA valves	+/-10%	1)
3	0 volts	-	2)
4	Earth	-	

- 1) $I_{max} = 10 \text{ mA} + n \cdot 60 \text{ mA}$
 $n = \text{number of energized solenoids}$
- 2) $I_{max} = I_{VA} + I_{VB}$
- 3) Must be galvanic isolated to 24 VA valves.

Dimensions in inches (mm)

Fieldbus power connector

Symbol	Model	Description	Connection	Cable length	Protection class
	V11588-E01	Profibus DP (4-pin, female) Interbus-S (4-pin, female) DeviceNet (4-pin, female) CANopen (4-pin, female)	M12	Wireable	IP65 Required for ATEX
	FD6760R5S75010	Profibus DP (5-pin, female)	7/8	Wireable	IP67 when plugged and screwed down DIN VDE 0470 Required for ATEX

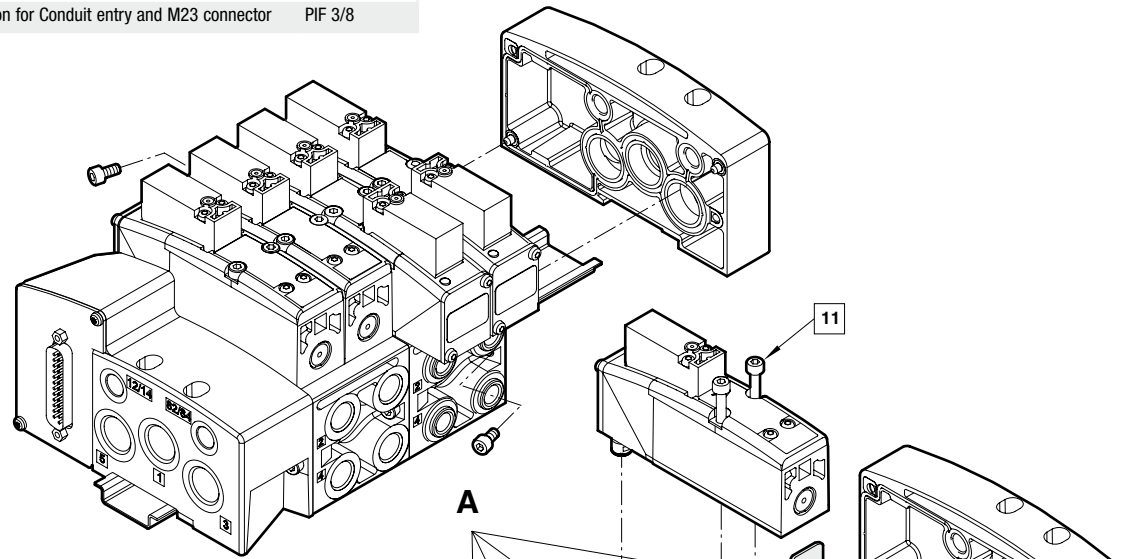
Communication cable and connector

Symbol	Model	Description	Connection	Cable length	Protection class
	FD6710D5S75S10	DeviceNet (5-pin, male) CANopen (5-pin, female)	M12	Wireable	IP67 when plugged and screwed down DIN VDE 0470 Required for ATEX
	FD6710G5S75S10	Profibus DP, reverse keyway (5-pin, female)	M12	Wireable	IP67 when plugged and screwed down DIN VDE 0470 Required for ATEX
	V11591-E01	Profibus DP, reverse keyway (5-pin, male)	M12	Wireable	IP67 when plugged and screwed down DIN VDE 0470 Required for ATEX
	V11654-E01	Profibus DP connector (9-pin, male) with terminating resistor	D-Sub	Wireable	IP40
	VE1ASCN1-M1200	AS-Interface power or communications (4-pin, female)	M12	Wireable	IP65 Required for ATEX
	VE2FBC9P-00000	Interbus-S (9-pin, male)	D-Sub	Wireable	IP65 Required for ATEX
	VE2FBC9S-00000	Interbus-S (9-pin, female)	D-Sub	Wireable	IP65 Required for ATEX
	V11340-E03	Interbus-S terminating connector (9-pin, male)	D-Sub	–	IP65 Required for ATEX

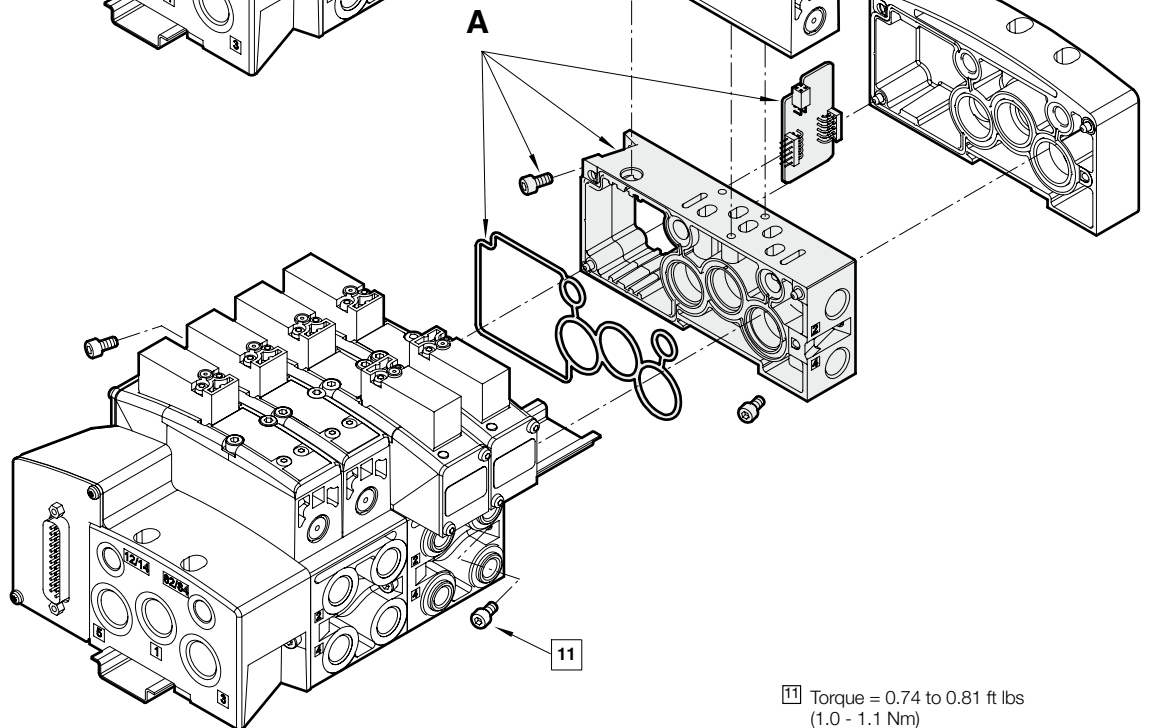
A – Single add-on stations
 including PCB, sub-base, gasket and screws

Model	Description	Ports 2 & 4
VS2672504-BGF0	Add-on station for D-Sub connectors and Fieldbus	G1/4
VS2672504-RGF0	Add-on station for D-Sub connectors and Fieldbus	NPTF 1/4
VS2672504-YGF0	Add-on station for D-Sub connectors and Fieldbus	PIF 10 mm
VS2672504-8GF0	Add-on station for D-Sub connectors and Fieldbus	PIF 8 mm
VS2672504-2GF0	Add-on station for D-Sub connectors and Fieldbus	PIF 3/8
VS2672505-BGF0	Add-on station for Conduit entry and M23 connector	G1/4
VS2672505-RGF0	Add-on station for Conduit entry and M23 connector	NPTF 1/4
VS2672505-YGF0	Add-on station for Conduit entry and M23 connector	PIF 10 mm
VS2672505-8GF0	Add-on station for Conduit entry and M23 connector	PIF 8 mm
VS2672505-2GF0	Add-on station for Conduit entry and M23 connector	PIF 3/8

Step 1



Step 2



For detailed assembly instructions, please see maintenance & instruction booklet!

11 Torque = 0.74 to 0.81 ft lbs
 (1.0 - 1.1 Nm)
 Screw driver speed = max. 1100 r.p.m.

Sub-bases and end plates (without PCB's)
 includes screws and gaskets

A – End plate kit

Model	Description	Ports 1, 3 & 5	Ports 12/14 & 82/84
VS2672500-CGCO	End plate kit for Multipole	G3/8	G1/8
VS2672500-SGCO	End plate kit for Multipole	NPTF3/8	NPTF 1/8
VS2672501-CGCO	End plate kit for Fieldbus	G3/8	G1/8
VS2672501-SGCO	End plate kit for Fieldbus	NPTF3/8	NPTF 1/8

C – Single station modular sub-base

Model	Ports 2 & 4
VS2672503-BGFO	G1/4
VS2672503-RGFO	NPTF 1/4
VS2672503-YGFO	PIF 10 mm
VS2672503-8GFO	PIF 8 mm
VS2672503-2GFO	PIF 3/8

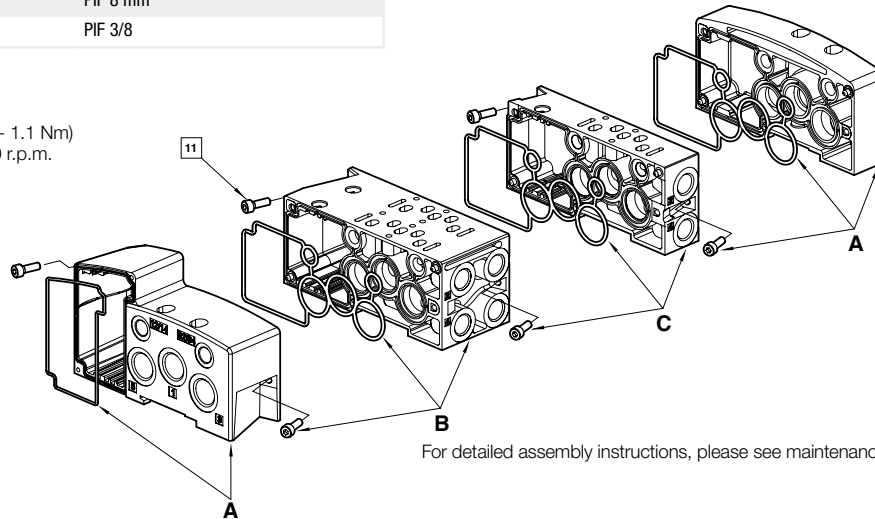
B – Double station modular sub-base

Model	Ports 2 & 4
VS2672502-BGFO	G1/4
VS2672502-RGFO	NPTF 1/4
VS2672502-YGFO	PIF 10 mm
VS2672502-8GFO	PIF 8 mm
VS2672502-2GFO	PIF 3/8

Spare parts

Model	Description	Quantity per slice
77.31106	Hexagon socket screw M4x12	2
94.00815	Gasket	1
94.00816	Connector-kit gasket on end plate	1

11 Torque = 0.74 to 0.81 ft lbs (1.0 - 1.1 Nm)
 Screw driver speed = max. 1100 r.p.m.



For detailed assembly instructions, please see maintenance & instruction

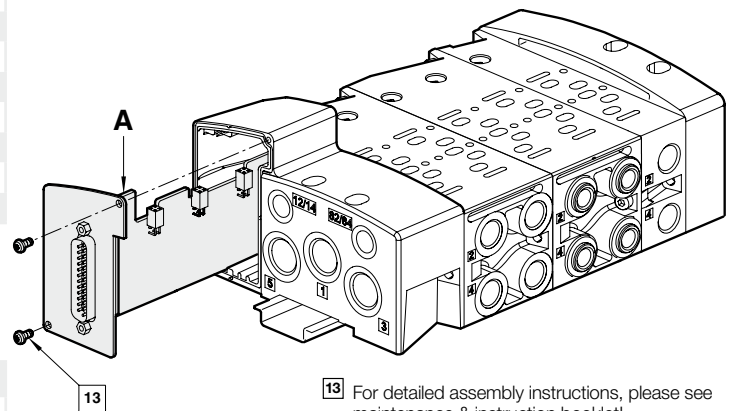
Multipole components
A – Output boards with D-Sub connectors

Model	Connector type	Description	Expandable to max. x no. of stations ¹⁾	Voltage
VS2672717-KG00	D-Sub 9-pin	Multipole PCB 2 stations	4	24 VDC
VS2672718-KG00	D-Sub 15-pin	Multipole PCB 2 stations	6	24 VDC
VS2672705-KG00	D-Sub 15-pin	Multipole PCB 4 stations	7	24 VDC
VS2672719-KG00	D-Sub 25-pin	Multipole PCB 2 stations	6	24 VDC
VS2672700-KG00	D-Sub 25-pin	Multipole PCB 4 stations	8	24 VDC
VS2672701-KG00	D-Sub 25-pin	Multipole PCB 6 stations	10	24 VDC
VS2672702-KG00	D-Sub 25-pin	Multipole PCB 8 stations	12	24 VDC
VS2672703-KG00	D-Sub 44-pin	Multipole PCB 8 stations	12	24 VDC
VS2672706-KG00	D-Sub 44-pin	Multipole PCB 10 stations	14	24 VDC
VS2672704-KG00	D-Sub 44-pin	Multipole PCB 12 stations	16	24 VDC

1) By using below expansion output boards.

Expansion output boards for D-Sub connectors

Model	Description	Voltage
VS2672755-KG00	Multipole PCB 1 station	24 VDC
VS2672713-KG00	Multipole PCB 2 stations	24 VDC



13 For detailed assembly instructions, please see maintenance & instruction booklet!

Multipole components

A – Connector-kit for conduit entry

Model	Description	Voltage
VS2672742-KG00	E-Connector-kit NPTF1 Conduit entry	115V AC, 24 VDC

C – Connector-kit for M23 connector

Model	Description	Voltage
VS2672743-KG00	E-Connector-kit M23 connector 19-pin	115V AC, 24 VDC

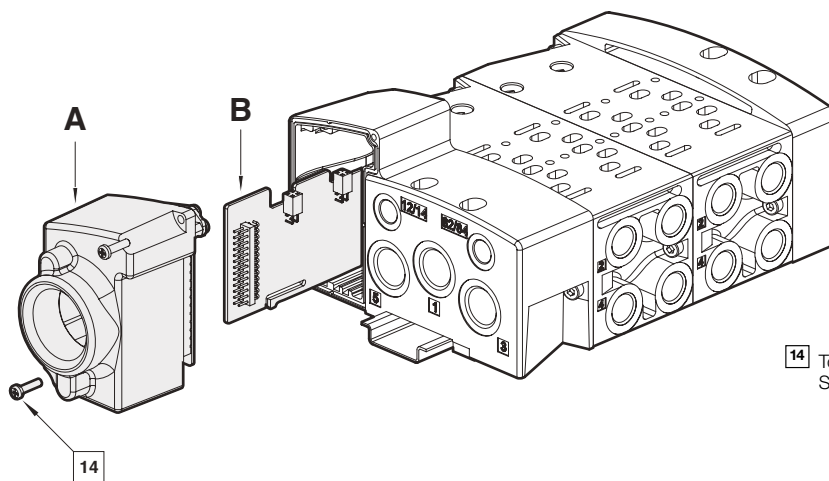
B – Output boards for conduit entry and M23 connector

Model	Description	Expandable to max. x no. of stations ¹⁾	Voltage
VS2672708-KG00	Multipole PCB 2 stations	6 (M23 only)	115V AC, 24 VDC
VS2672709-KG00	Multipole PCB 4 stations	8 (M23 only)	115V AC, 24 VDC
VS2672710-KG00	Multipole PCB 6 stations	10	115V AC, 24 VDC
VS2672711-KG00	Multipole PCB 8 stations	12	115V AC, 24 VDC

1) By using below expansion output boards.

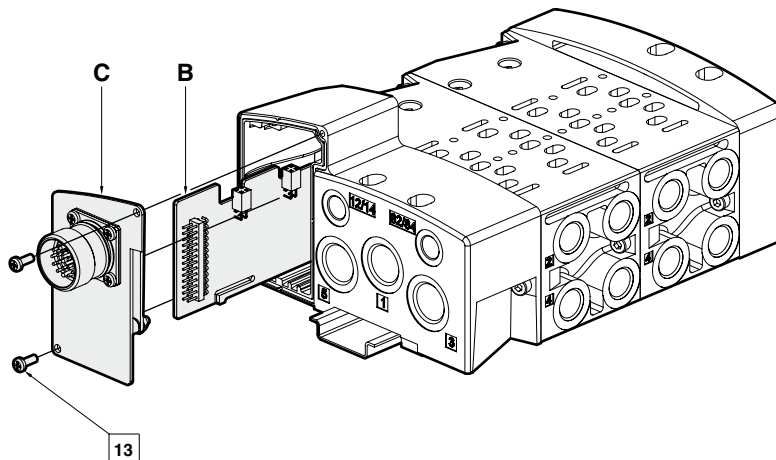
Expansion output boards for conduit entry

Model	Description	Voltage
VS2672756-KG00	Multipole PCB 1 station	115V AC, 24 VDC
VS2672715-KG00	Multipole PCB 2 stations	115V AC, 24 VDC



14 Torque = 0.59 to 0.66 (0.8 - 0.9 Nm)
 Screw driver speed = max. 1100 r.p.m

For detailed assembly instructions, please see maintenance & instruction booklet!



13 Torque = 0.6 - 0.7 ft lbs. (0.8 - 0.9 Nm)
 Screw driver speed = max. 1100 r.p.m

For detailed assembly instructions, please see maintenance & instruction booklet!