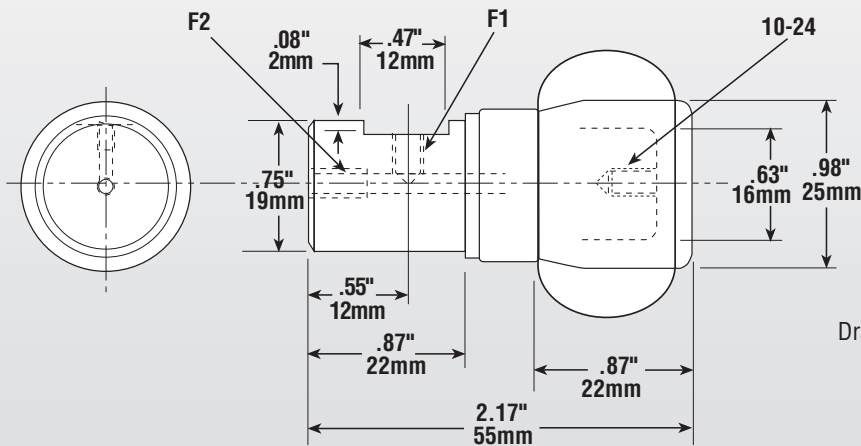


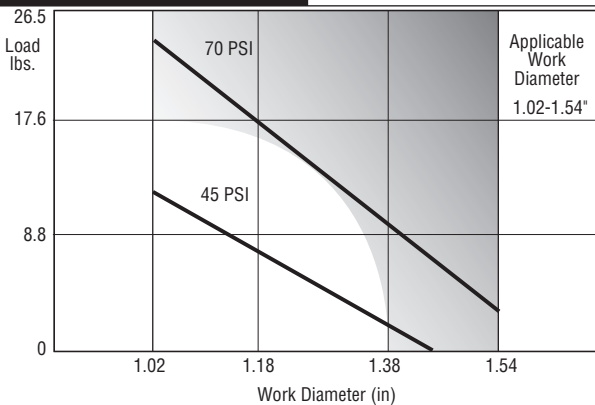
Assembly Order No.	Rubber Material	F1	F2	F3	Clamp Ring	Body Material	Max Restricted Pressure (psig/bar)	Max Unrestricted Pressure (psig/bar)
WP1-M58-0007	Neoprene	M5	M5	N/A	Stainless Steel	Steel	70 / 5	35 / 2.4
WP1-M58-0018	Silicone	M5	M5	N/A	Stainless Steel	Steel	25 / 1.8	15 / 1
WP1-358-2003	Neoprene	1/8-27 NPT	1/8-27 NPT	N/A	Stainless Steel	Steel	70 / 5	35 / 2.4
WP1-358-2011	Silicone	1/8-27 NPT	1/8-27 NPT	N/A	Stainless Steel	Steel	25 / 1.8	15 / 1



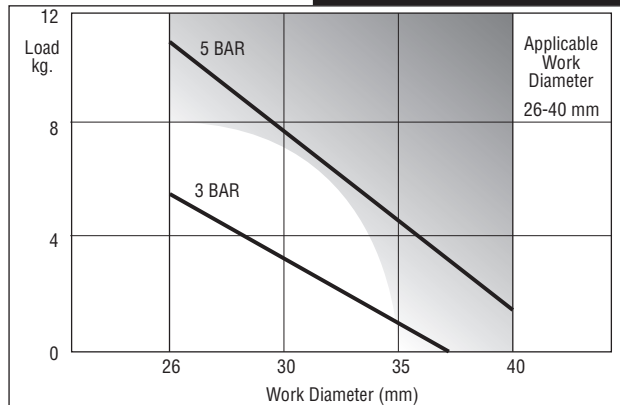
IMPERIAL

METRIC

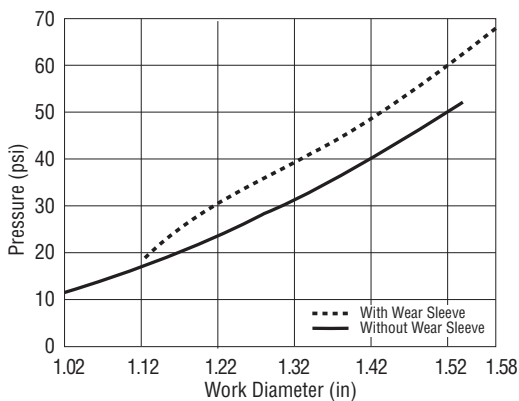
FORCE CURVES



FORCE CURVES



PRESSURE VS INFLATED DIAMETER



PRESSURE VS INFLATED DIAMETER

