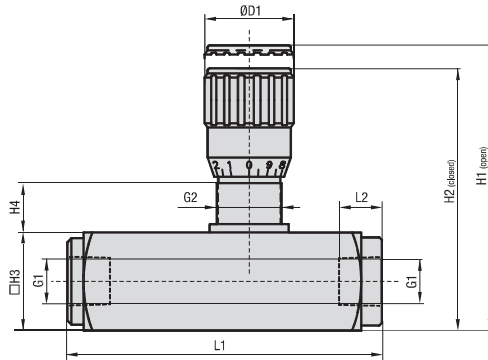


## Pressure Compensated Flow Control Valve - Type PNDRV (In-Line Assembly)



### Dimensions

Type + Nominal Size	Thread Options G1	Dimensions (mm/in)							Weight (kg/lbs)
		L1	L2	H1	H2	H3	H4	G2	
PNDRV-08	1/4 NPT	94	12,5	88,5	81,5	30	15	M20 x 1	0,58
	7/16-20 UNF (1/4" SAE)								
	G1/4 BSP	3.70	.49	3.48	3.21	1.18	.59		.77
PNDRV-10	3/8 NPT	110,5	13	103	94,5	35	17	M25 x 1,5	0,94
	9/16-18 UNF (3/4" SAE)								
	G3/8 BSP	4.35	.51	4.06	3.72	1.38	.67		2.09
PNDRV-12	1/2 NPT	137	15,5	122	112	45	18	M30 x 1,5*	1,83
	3/4-16 UNF (1/2" SAE)								
	G1/2 BSP	5.39	.61	4.80	4.41	1.77	.71		4.07
PNDRV-16	3/4 NPT	163	17	150	138	55	24	M40 x 1,5	3,35
	1-1/16-12 UN (3/4" SAE)								
	G3/4 BSP	6.42	.67	5.91	5.43	2.17	.94		7.44

\* M25 x 1,5 for version with female UN/UNF thread (SAE J514)

### Characteristics

Throttle and shut-off the flow of liquid media in direction A-B (free flow in reverse direction) with pressure compensating feature via built-in compensating piston

#### Features

- Designed for in-line assembly with female NPT, SAE and BSP threaded connections
- Panel mounting nuts available on request
- Graduated turning knob to accurately control flow
- Set-screw located on side of turning knob to lock valve in position

#### Media Compatibility

- Suitable for hydraulic fluids

Please consult STAUFF before using with other media.

#### Materials

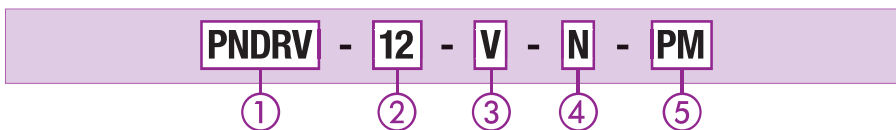
- Body made of Steel, phosphated
- Internal components made of Stainless Steel
- Turning knob made of Aluminium
- O-rings made of FPM (Viton®)
- Anti-extrusion ring made of PTFE

Consult STAUFF for alternative materials.

#### Technical Data

- Maximum working pressure: 210 bar / 3000 PSI (for all sizes)
- Operating temperature range: -20°C ... +120°C / -4°F ... +248°F
- Minimum filtration grade: 25 µm (absolute) to ensure the correct functioning, reduce wear and tear and increase the service life of the valve

### Order Codes



#### ① Type

Pressure Compensated Flow Control Valve (In-Line Assembly) **PNDRV**

#### ② Nominal Size DN

**08**    **10**    **12**    **16**

#### ③ Sealing Material

FPM (Viton®) (standard option) **V**  
NBR (Buna-N®) **P**  
EPDM **E**

#### ④ Connection

Female NPT thread (ANSI B1.20.1) **N**  
Female UN/UNF thread (SAE J514) **S**  
Female BSP thread (ISO 228) **B**

#### ⑤ Panel Mounting Nut

Without panel mounting nut (standard option) **-**  
With panel mounting nut **PM**

### Accessories / Spare Parts

#### Panel Mounting Kits

- for PNDRV-08 (thread size M20x1): **PMK-810-T**
- for PNDRV-10 / 12S (thread size M25x1,5): **PMK-1012-T**
- for PNDRV-12N / -12S (thread size M30x1,5): **PMK-1212-T**
- for PNDRV-16 (thread size M40x1,5): **PMK-1616-T**

### Flow Characteristics

