

Return-Line Filters ■ Type RTF-10/15/25



D

Product Description

STAUFF RTF-10/15/25 Return-Line Filters are designed as tank top filters with a maximum operating pressure of 3,4 bar / 49 PSI.

Technical Data
Construction

- Tank Top flange mounting

Materials

- Filter head: Aluminium
- Filter bowl: Polyamide
- Sealings: NBR (Buna-N®)
FKM (Viton®)
Other sealing materials on request

Port Connections

- BSP
- NPT
- SAE O-ring thread

Flow Rating

- Up to 95 l/min / 25 US GPM

Operating Pressure

- Max. 3,4 bar / 49 PSI

Burst Pressure

- Min. 10 bar / 145 PSI

Temperature Range

- -25 °C ... +95 °C / -13 °F ... +203 °F

Filter Elements

- Specifications see page 106

Media Compatibility

- Mineral oils, other fluids on request

Options and Accessories
Valve

- Bypass valve: Opening pressure 1,7 bar / 25 PSI
(integrated in the filter element) Other settings available on request

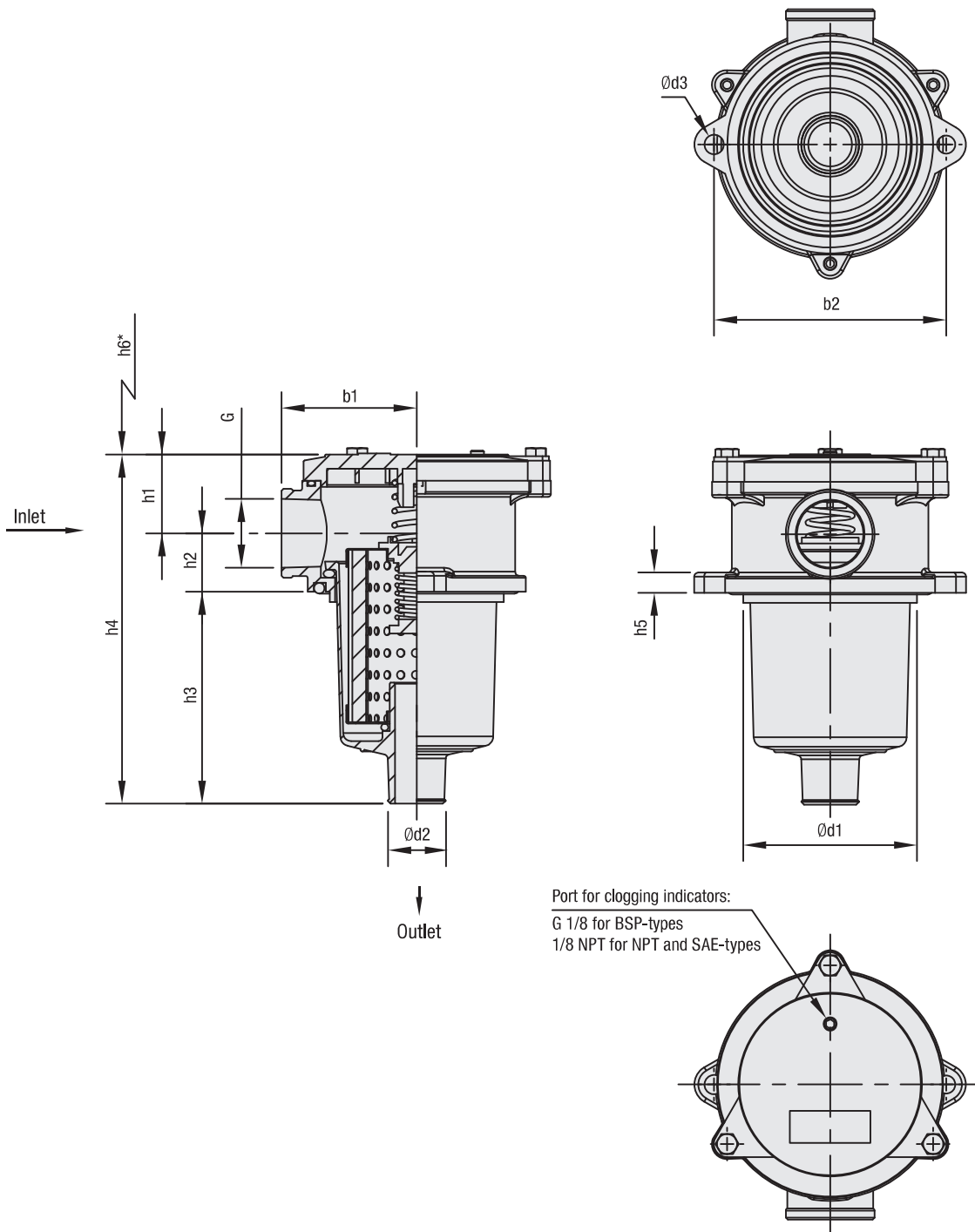
Clogging Indicators

- For clogging indicator types please see page 125



Return-Line Filters ■ Type RTF-10/15/25

D



* recommended space for element change



Return-Line Filters ■ Type RTF-10/15/25

Thread Connection G	Filter Size RTF		
	10	15	25
BSP	1/2	1	1
NPT	1/2	1	1
SAE O-ring	-	1-5/16-12	1-5/16-12

Dimensions (mm/in)	Filter Size RTF		
	10	15	25
h1	26	34	34
	1.02	1.34	1.34
h2	21	29	29
	.83	1.14	1.14
h3	85	103	151
	3.34	4.05	5.95
h4	129	166	212
	5.07	6.53	8.35
h5	8	10	10
	.32	.39	.39
h6	110	130	175
	4.33	5.12	6.89
b1	50	67	67
	1.97	2.64	2.64
b2	90	115	115
	3.54	4.52	4.52
d1	66	86	86
	2.60	3.39	3.39
d2	24	28	28
	.94	1.10	1.10
d3	7	9	9
	.28	.35	.35
Weight (kg/lbs)	0,45	0,9	1
	1	2	2.2

D



Return-Line Filter Housings / Complete Filters ■ Type RTF-10/15/25

RTF - 25 - D - 10 - B - G16 - V / X

① ② ③ ④ ⑤ ⑥ ⑦ ⑧

① Type

Return-Line Filter **RTF**

② Group

Flow	Size
38 l/min / 10 US GPM	10
57 l/min / 15 US GPM	15
95 l/min / 25 US GPM	25

Note: Exact flow will depend on the selected filter element.
For technical data please see pages 123 / 124.

③ Filter Material

Material	Max. Δp^* collapse	Micron ratings available	Code
Without filter element	-	-	0
Inorg. glass fibre	3 bar / 43.5 PSI	10, 25	G
Filter paper	3 bar / 43.5 PSI	10, 25	D

*Note: Collapse/burst resistance as per ISO 2941
Other materials on request

④ Micron Rating

10 μ m	10
25 μ m	25

Note: Other micron ratings on request

⑤ Sealing Material

NBR (Buna®) **B**FKM (Viton®) **V**

Note: Other sealing materials on request

⑥ Connection Style

Connection Style	Group	Code	Group	Code
	10		25 and 15	
BSP	1/2	G08	1	G16
NPT	1/2	N08	1	N16
SAE O-ring Thread	-	-	1-5/16-12	U16

⑦ Clogging Indicator

Without clogging indicator **0**Visual clogging indicator **V**Electrical clogging indicator **E**

Note: See page 125 for more details on indicator ports and types.

⑧ Design Code

Only for information **X**

Filter Elements ■ Type RTE

RTE - 25 - D - 10 - B / X

① ② ③ ④ ⑤ ⑥

① Type

Filter Element Series **RTE**

② Group

According to filter housing

③ Filter Material

Material	Max. Δp^* collapse	Micron ratings available	Code
Inorg. glass fibre	3 bar / 43.5 PSI	10, 25	G
Filter paper	3 bar / 43.5 PSI	10, 25	D

* Note: Collapse/burst resistance as per ISO 2941
Other materials on request

④ Micron Rating

10 μ m **10**25 μ m **25**

Note: Other micron ratings on request

⑤ Sealing Material

NBR (Buna®) **B**FKM (Viton®) **V**

Note: Other sealing materials on request

⑥ Design Code

Only for information **X**