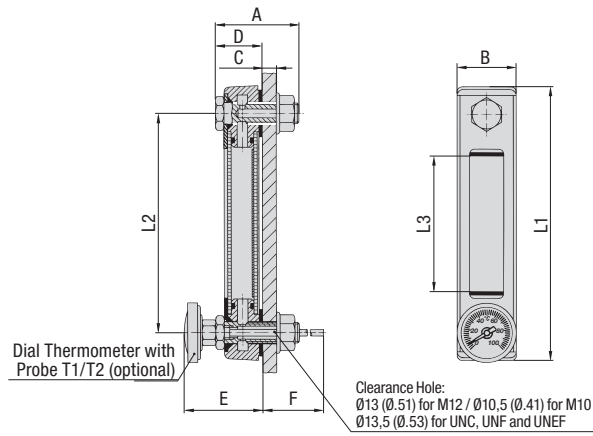
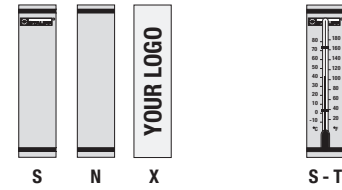


## Level Gauge Type SNA



### Design of Scale Plates Thermometer Options

Capillary Tube Thermometer with a dual Celsius / Fahrenheit scale up to +80 °C / +180 °F



### Characteristics

Visual fluid level indication in hydraulic reservoirs with maximum tank pressures not exceeding 2 bar / 29PSI

#### Nominal Sizes and Designs

- 7 nominal sizes from 76 mm / 2.99 in to 381 mm / 15.00 in
- Display either undivided (SNA-076 ... 176) or subdivided by strut(s) into 2 (SNA-254) or 3 sections (SNA-305 and SNA-381)

Please see page 15 for alternative nominal sizes and designs.

#### Media Compatibility

- Suitable for use with mineral and petroleum based hydraulic fluids (HL and HLP)

#### Materials

- Housing made of Steel St 12, black powder-coated
- Sight tube and plugs made of Polyamide (PA)
- Seals made of NBR (Buna-N®)
- Scale plate made of PVC

For the individual components of the level gauge (sight glass, housing, Seals, bolts), alternative materials for improved UV or chemical resistance, low-temperature applications down to -50°C / -58 °F and use with special media (such as bio-degradable fluids, diesel oils, gasolines) are available on request.

#### Technical Data

- IP 65 protection rating: Dust tight and protected against water jets
- Operating temperature range: -30°C ... +80 °C / -22 °F ... +176 °F
- Recommended tightening torque: 8 N·m / 5.9 ft·lb

#### Accessories / Options

- Red / blue capillary tube thermometers with a temperature display range of up to +80 °C / +180 °F
- Dial thermometers with probe and a Celsius or a dual Celsius / Fahrenheit scale with a temperature display range of up to +100 °C / +200 °F
- Thermo Switches
- Temperature Sensors
- Floating Ball
- Deutsch Adaptor Cable

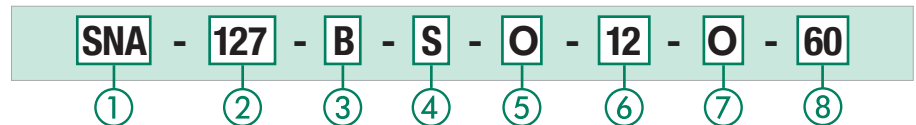
Please see pages 18 / 19 / 20 for details.

### Dimensions

Maximum admissible tolerance for the bolt center spacing (dimension L2) according to DIN ISO 2768-f: ±0,20 mm / .008 in for all nominal sizes.

Nominal Size	Dimensions (mm/in)									
	A	B	C (Max.)	D	E	F (with T1)	F (with T2)	L1	L2	L3
SNA-076	45	34,5	8	28	43,5	165,5	265,5	108	76	31
	1.77	1.36	.32	1.10	1.71	6.52	10.45	4.25	2.99	1.22
SNA-127	45	34,5	8	28	43,5	165,5	265,5	159	127	76
	1.77	1.36	.32	1.10	1.71	6.52	10.45	6.26	5.00	2.99
SNA-150	45	34,5	8	28	43,5	165,5	265,5	182	150	99
	1.77	1.36	.32	1.10	1.71	6.52	10.45	7.17	5.91	3.90
SNA-176	45	34,5	8	28	43,5	165,5	265,5	208	176	124
	1.77	1.36	.32	1.10	1.71	6.52	10.45	8.19	6.93	4.88
SNA-254	45	34,5	8	28	43,5	165,5	265,5	286	254	192
	1.77	1.36	.32	1.10	1.71	6.52	10.45	11.26	10.00	7.56
SNA-305	45	34,5	8	28	43,5	165,5	265,5	337	305	244
	1.77	1.36	.32	1.10	1.71	6.52	10.45	13.27	12.00	9.61
SNA-381	45	34,5	8	28	43,5	165,5	265,5	413	381	319
	1.77	1.36	.32	1.10	1.71	6.52	10.45	16	15	12.56

### Order Codes



#### ① Type

Level Gauge with visual fluid level indication **SNA**

#### ② Nominal Size

SNA-076 (nominal size of 76 mm / 2.99 in)	<b>076</b>
SNA-127 (nominal size of 127 mm / 5.00 in)	<b>127</b>
SNA-150 (nominal size of 150 mm / 5.91 in)	<b>150</b>
SNA-176 (nominal size of 176 mm / 6.93 in)	<b>176</b>
SNA-254 (nominal size of 254 mm / 10.00 in)	<b>254</b>
SNA-305 (nominal size of 305 mm / 12.00 in)	<b>305</b>
SNA-381 (nominal size of 381 mm / 15.00 in)	<b>381</b>

Please see page 15 for alternative nominal sizes.

#### ③ Sealing Material

NBR (Buna-N®) (standard option)	<b>B</b>
FKM (Viton®)	<b>V</b>

#### ④ Design of Scale Plate

With STAUFF logo (standard option)	<b>S</b>
Neutral design without any logo	<b>N</b>
Custom-designed scale plate (please specify)	<b>X</b>

#### ⑤ Thermometer Option

Supplied without thermometer (standard option)	<b>O</b>
Red Capillary Tube thermometer on scale plate	<b>T</b>
Blue Capillary Tube thermometer on scale plate	<b>TB</b>
Dial thermometer with probe (200 mm / 7.87 in) and a Celsius scale up to 100 °C	<b>T1C</b>
Dial thermometer with probe (300 mm / 11.81 in) and a Celsius scale up to 100 °C	<b>T2C</b>
Dial thermometer with probe (200 mm / 7.87 in) and a dual scale up to 100 °C / 200 °F	<b>T1CF</b>
Dial thermometer with probe (300 mm / 11.81 in) and a dual scale up to 100 °C / 200 °F	<b>T2CF</b>

#### ⑥ Banjo Bolt Size

Metric ISO thread M12 (standard option)	<b>12</b>
Metric ISO thread M10	<b>10</b>
Unified coarse thread 1/2–13 UNC	<b>U1</b>
Unified fine thread 1/2–20 UNF	<b>U2</b>
Unified extra-fine thread 1/2–28 UNEF	<b>U3</b>

#### ⑦ Thermo Switch / Temperature Sensor / Anti-Drain Valve Option

Supplied without Thermo Switch / Temperature Sensor / Anti-Drain Valve	<b>-</b>
Thermo Switch TS-SNA/SNK; Break contact (normally closed); Equipped with standard connector	<b>O</b>
Thermo Switch TS-SNA/SNK; Break contact (normally closed); Equipped with connector M12	<b>OD</b>
Thermo Switch TS-SNA/SNK; Make contact (normally open); Equipped with standard connector	<b>C</b>
Thermo Switch TS-SNA/SNK; Make contact (normally open); Equipped with connector M12	<b>CD</b>
Temperature Sensor TS-SNA/SNK-PT100; Equipped with connector M12	<b>PT100</b>
Anti-Drain Valve Set A	<b>DA</b>
Anti-Drain Valve Set B	<b>DB</b>
Thermo Switches / Temperature Sensors only available for banjo bolt size M12. Please see pages 18 to 20 for details.	

#### ⑧ Switching Temperature

Contact switches at +60 °C / +140 °F	<b>60</b>
Contact switches at +70 °C / +158 °F	<b>70</b>
Contact switches at +80 °C / +176 °F	<b>80</b>
Contact switches at +90 °C / +194 °F	<b>90</b>

Only to be indicated when using a Thermo Switch.

Options T1C/CF and T2C/CF are not available for banjo bolt size M10 and not be used in conjunction with Thermo Switches or Temperature Sensors. Please see page 18 for details.

