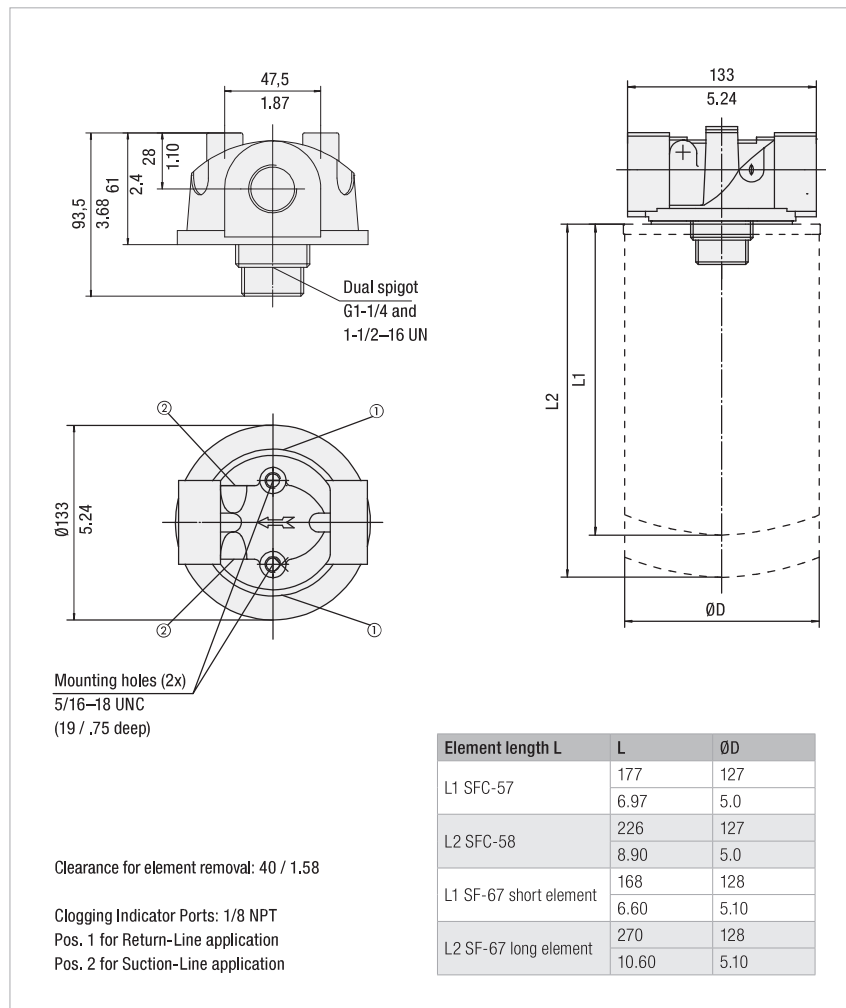


Spin-On Filter Heads ■ SSF-100 / 120 / 120L / 130 / 160
Dimensions


Dimensions in mm / in


Technical Data
Construction

- In-line Spin-On filter head

Material

- Aluminium

Port Connections

- NPT
- SAE O-ring thread

Flow Rate

- 225 l/min / 60 US GPM for Return-Line application
- 46 l/min / 12 US GPM for Suction-Line application

Operating Pressure

- Max. 12 bar / 174 PSI
- Max. 5 bar / 72.5 PSI differential pressure (for any application without bypass valve)

Temperature Range

- -30 °C ... +100 °C / -22 °F ... +212 °F

Media Compatibility

- Mineral oils, other fluids on request

Options and Accessories

Filter Elements

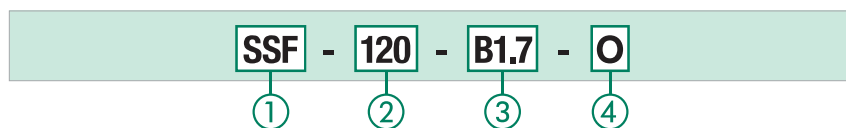
- For use with SF-67 and SFC-57/58 series elements
- For element types with seal contour type A and B
- For element types and flow characteristics see page 176 for SF-67 and page 174 for SFC-57/58. The element is not part of the scope of delivery

Valve

- Bypass valve (integrated in the filter head): Optional

Clogging Indicators

- For clogging indicator types see page 177

Order Code

1 Type

 Spin-On Filter Head **SSF**
2 Connection Style

Connection	Thread	Code
NPT	1	100
NPT	1-1/4	120L
NPT	1-1/2	120
SAE	1-5/16-12	130
SAE	1-5/8-12	160

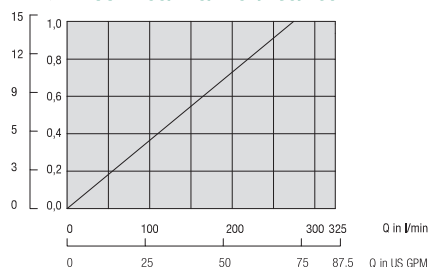
3 Bypass Options

No bypass	0
0,2 bar / 3 PSI	B0.2
0,35 bar / 5 PSI	B0.35
1 bar / 15 PSI	B1.0
1,7 bar / 25 PSI	B1.7

4 Clogging Indicator Port Options

No clogging indicator port	0
Clogging indicator port drilled for Return-Line application	1
Clogging indicator port drilled for Suction-Line application	2
All clogging indicator ports drilled	4
Special	9

Note: Standard clogging indicator port is 1/8 NPT.

Spin-On Filter Head SSF-100/120/120L/130/160

F