

GAUGE ISOLATOR VALVES

SWS SERIES



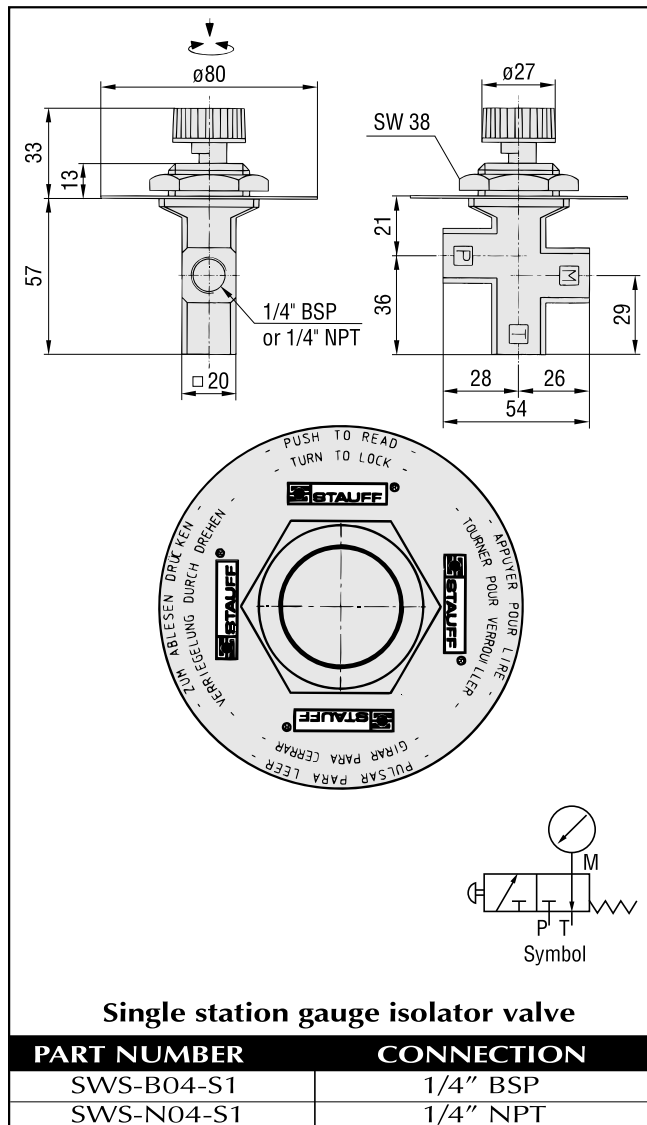
SPECIFICATIONS

- Working Pressure 5800 PSI (390 bar)
- VITON Seals
- NPT, BSP & SAE Ports
- Temperature range:
Style S1 and M -30°F – 240°F (-22°C – 115°C)
- Protects Gauges From Pressure Surges

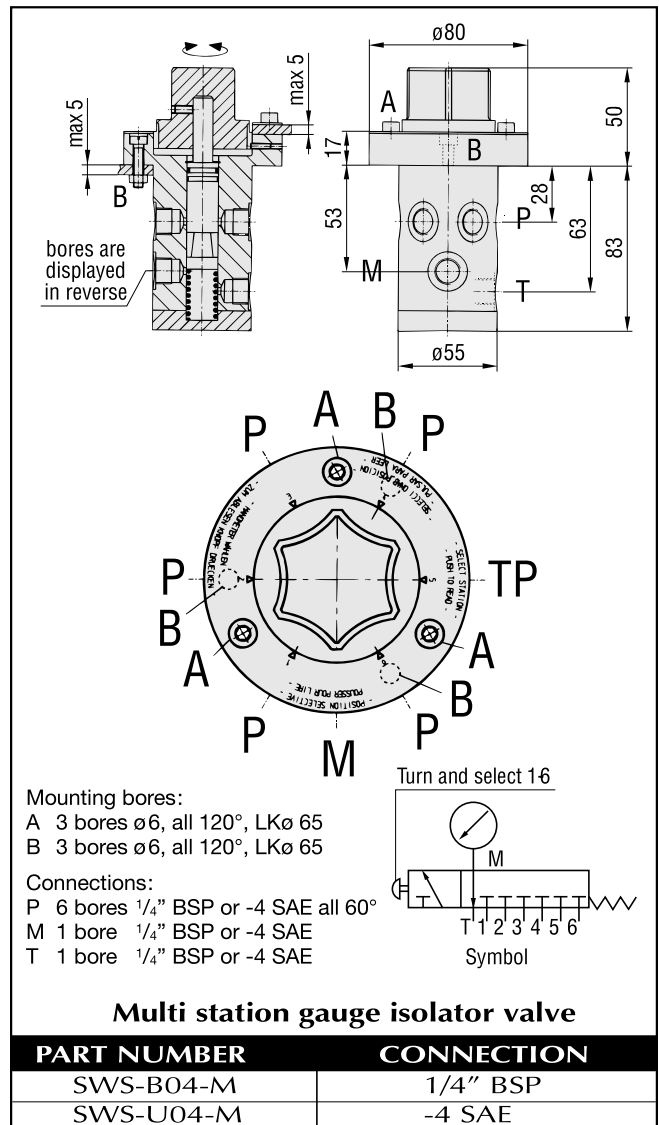
OPTIONS

- Single Station
- Multi Station

SINGLE STATION DIMENSIONS



6 STATION DIMENSIONS



VALVES