



Aluminum Sight Gauges

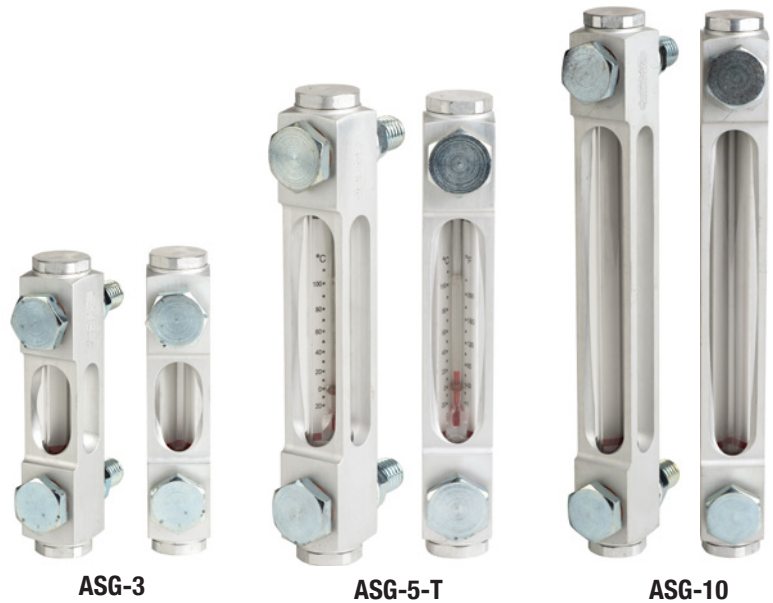
Model ASG Series

Specifications

- Machined from Aluminum extrusion bar
- Maximum operating temperature 400°F
- Maximum working pressure 20 PSI
- 1/2"-13 UNF mounting bolts & nuts (standard) 2" Length (50.8mm)
- 3", 3.25", 5", 7", 10", 12", 14", 18", 24" standard length models
- Glass Sight tube
- Compatible with most hydraulic fluids & lubricating oils
- Viton Seals standard
- Recommended tightening torque 4 ft/lbs

Options

- 1/2"-20 mounting bolts & nuts (available on request)
- Red Alcohol Thermometer card (0°F to 220°F) (-20°C to 110°C)
- Dial probe thermometer available thru bottom bolt (special order)
- Buna Seals (-40°F to 250°F) (-40°C to 121°C)
- Blue Alcohol thermometer (5", 7")
- Consult LENZ about special lengths



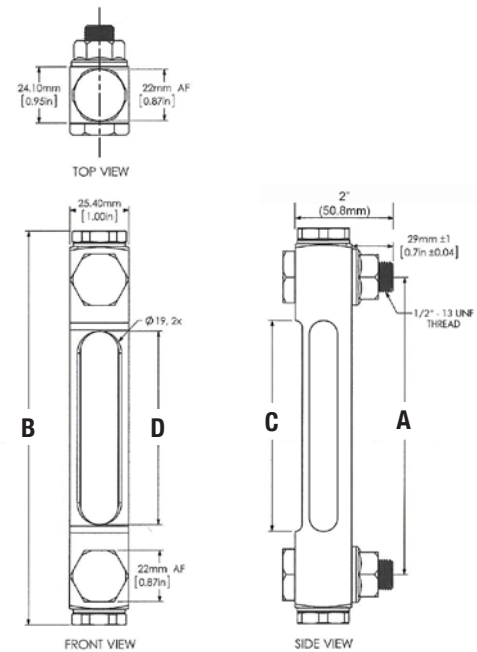
ASG-3

ASG-5-T

ASG-10

Dimensional Detail

Model	THERMOMETER VERSION	Mounting Centers				Hole Size	
		A	B	C	D		
ASG-3	ASG-3-T	3"	in.	4.65	1.81	1.48	0.52
		76	mm	118.2	45.9	37.65	13.1
ASG-3.25	ASG-3.25-T	3.25"	in.	4.9	2.1	1.73	0.52
		82.5	mm	124.6	52.3	44	13.1
ASG-4	ASG-4-T	4"	in.	5.65	2.59	2.31	0.52
		101.6	mm	143.6	65.67	58.67	13.1
ASG-5	ASG-5-T	5"	in.	6.65	3.54	3.27	0.52
		127	mm	169.0	90	83	13.1
ASG-7	ASG-7-T	7"	in.	8.65	5.54	5.27	0.52
		178	mm	219.8	140.8	133.8	13.1
ASG-8	ASG-8-T	8"	in.	9.65	6.54	6.24	0.52
		203.2	mm	245.1	166.20	158.40	13.1
ASG-10	ASG-10-T	10"	in.	11.65	8.54	8.31	0.52
		254	mm	296	217	211	13.1
ASG-12	ASG-12-T	12"	in.	13.63	4.65	4.37	0.52
		304.8	mm	346.1	118	111	13.1
ASG-14	ASG-14-T	14"	in.	15.63	5.83	5.55	0.52
		355.6	mm	396.9	148	141	13.1
ASG-15	ASG-15-T	15"	in.	16.63	6.14	5.87	0.52
		381	mm	422.3	156	149	13.1
ASG-18	ASG-18-T	18"	in.	19.63	4.65	4.37	0.52
		457.2	mm	498.50	118	111	13.1
ASG-24	ASG-24-T	24"	in.	25.63	4.69	4.41	0.52
		609.6	mm	650.9	119	112	13.1



ASG-3 / ASG-3-T
 ASG-3.25 / ASG-3.25-T
 ASG-4 / ASG-4-T
 ASG-5 / ASG-5-T
 ASG-7 / ASG-7-T
 ASG-8 / ASG-8-T
 ASG-10 / ASG-10-T

ASG - 3 - T

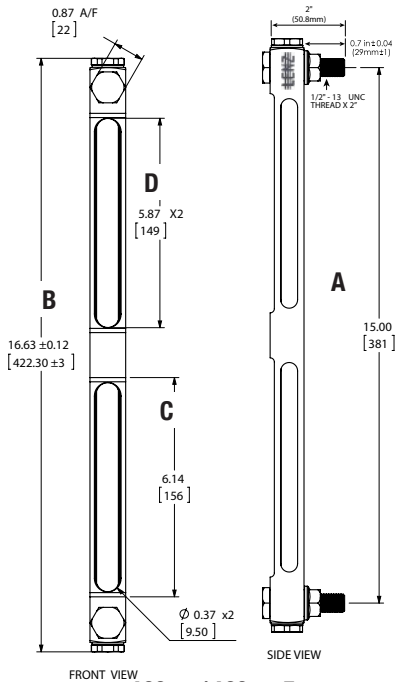
Series	Series & Thread Style
ASG	Aluminum

Mounting Centers
3
3.25
4
5
7
8
10
14
15
18
24

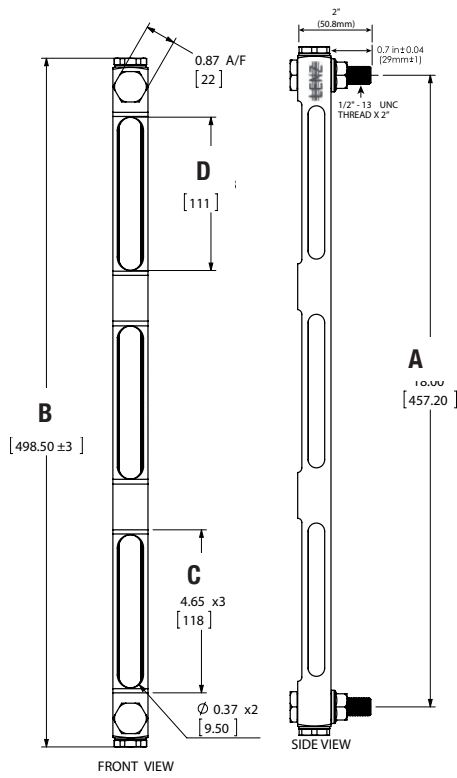
*Consult factory for availability

Options	
Omit	No Options
T	Bulb Thermometer
BU	Buna Seals
12	1/2"-20 Bolts
BT	*Blue Thermometer
M12	M12 x 2.0" Bolts
12-SS	1/2"-13 x 304 SS Hardware

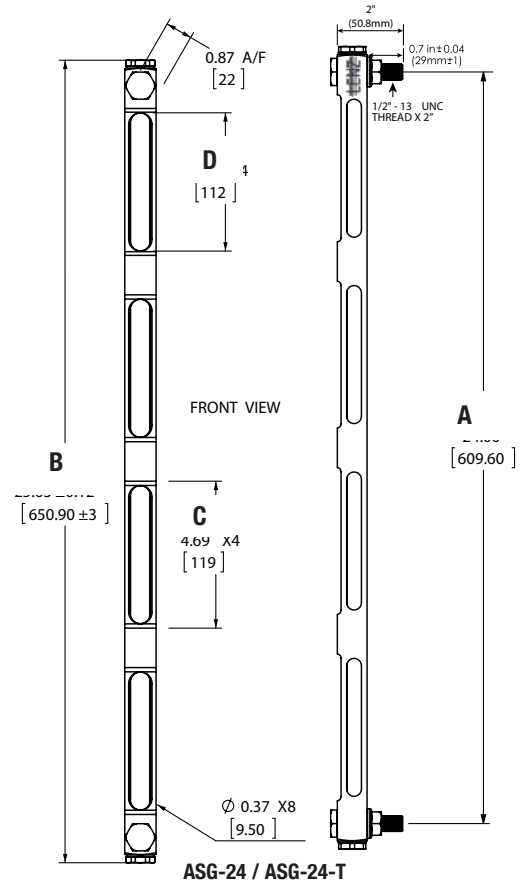
*Special order = 250 plus units



ASG-12 / ASG-12-T
ASG-14 / ASG-14-T
ASG-15 / ASG-15-T



ASG-18 / ASG-18-T



ASG-24 / ASG-24-T



ASG-12 / ASG-12-T
ASG-14 / ASG-14-T
ASG-15 / ASG-15-T



ASG-18 / ASG-18-T



ASG-24 / ASG-24-T