



# Bayonet Filler Breather Caps

## Model 57 Series

- Maximum flow rate 35 CFM, 250 GPM @.58 PSI
- Steel shell nickel chrome or black powder coated
- 10 or 40 micron foam filtration
- 3 micron phenolic resin impregnated paper
- 3"-30 mesh SS basket standard
- SAE J 829 steel zinc plated mounting flange
- Tether chain and retaining ring standard
- Cork-rubber gaskets standard
- 10-24 x 1/2" thread forming screws standard
- Operating temperature -22°F to +212°F (-30°C to +100°C)
- Compatible with petroleum and mineral based fluids

### Options

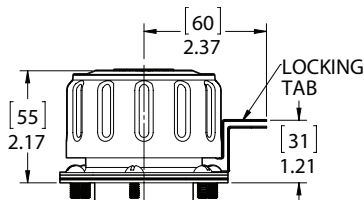
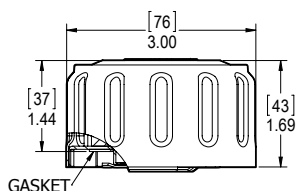
- Anti-splash
- Dipsticks
- Lock tab



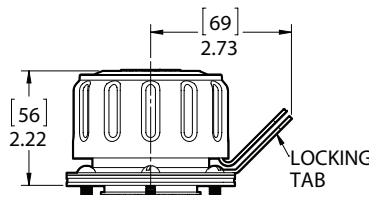
57XL-40



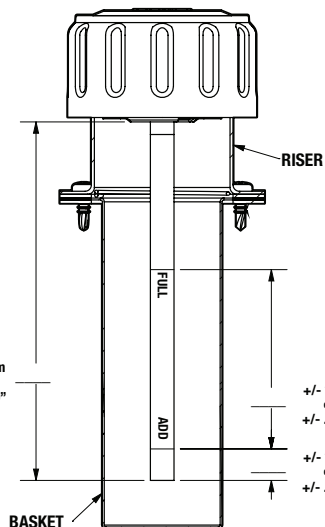
BPC-57XL-40 N



LD OPTION



LC OPTION



### Dipstick Ordering

## Assembly Ordering Code

AS - 57-XL - 40 - N - \*

Omit	Zinc/Sealer (Standard)
LC	Locking Cap
ISO	Oil Drop Symbol
AS	Anti-Splash
BPC	Black Powder Coat (Coated Cap/Flange)
LD	90 Degree Lock Tab
SM	Sidemount
UNP-SMW	Weld On Sidemount

57-XL Assembly

40	40 Micron
10	10 Micron
3	3 Micron

Omit	3"-30 Mesh (Standard)
2-30	2"-30 Mesh
3-100	3"-100 Mesh
6-30	6"-30 Mesh
6-100	6"-100 Mesh
8-30	8"-30 Mesh
8-100	8"-100 Mesh
13-30	13"-30 Mesh
N	3.8" 30 Mesh

Omit	None
10-32	10-32 Screws
LCH	Less Chain
buna	Rubber Gasket
1.5 HN	1.5" High Neck
3 HN	3" High Neck
DIP	Dipstick (Specify Length)
IG3	3" Inner Gaurd
IG6	6" Inner Gaurd
IG8	8" Inner Gaurd
IG13	13" Inner Gaurd

Full, Add, Low, Marks Available  
Custom Lengths available.  
See dipstick reference chart page 73b

## Cap Only Ordering Code

AS - 40XL - LCH

Omit	Zinc/Sealer (Standard)
LC	Locking Cap
ISO	Oil Drop Symble
AS	Anti-Splash
BPC	Black Powder Coat (Coated Cap/Flange)
LD	90 Degree Lock Tab

40XL	40 Micron
10XL	10 Micron
3XL	3 Mi cron

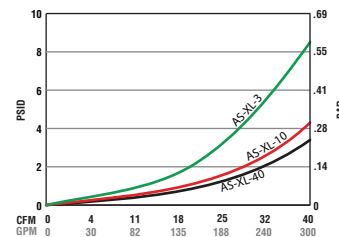
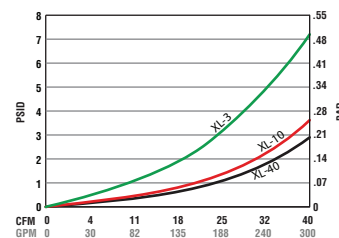
Omit	None
LCH	Less Chain
buna	Rubber Gasket
DIP	Dipstick (Specify Length)



40XL



BPC-40XL





# Bayonet Cap Mounting Options



**XL Series**

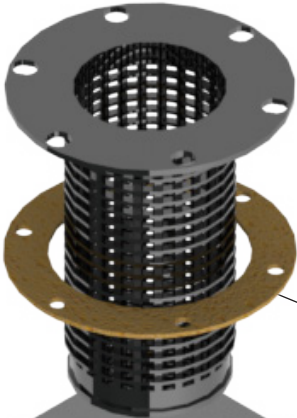
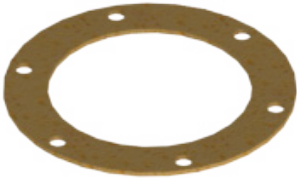
**FCS-537 Series**



**FCS-557 Series**

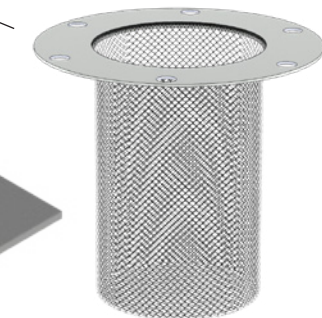
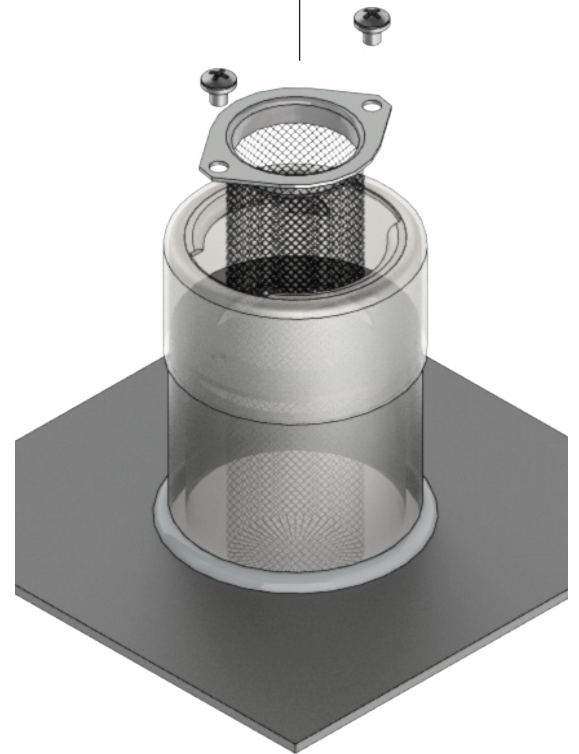


**NY Series**



**LGB Series**

**Weld on Neck  
4.5" Neck Fill Screens**



**2" to 13" Screens Available  
See page 3b**

**Using Tank Flange**



**Black Powder Coated**  
 Catalog page 5b  
 Weather-proof application  
 Example when ordering:  
 BPC-57-XL-40



**Locking Caps**  
 Catalog page 5b  
 Prevents tampering with equipment  
 Example when ordering:  
 LC-57-XL-40 / LD-57-XL-40



**Pressurized Breather**  
 Catalog page 6b  
 3, 5, 10 P.S.I. double valve  
 Example when ordering:  
 57-XL-40-P5



**3" & 1.5" High Neck Flange**  
 Catalog page 3b  
 Oil containment application  
 Example when ordering:  
 5-1.5HN, 5-3HN



**Weld Riser**  
 Catalog page 4b  
 Rises filler breather 1"  
 Example when ordering:  
 LWR-1



**Hydraulic Weld Necks**  
 Catalog page 11-12b  
 Weld on neck allows for mounting breather  
 Example when ordering:  
 LC-HYD-405-4.5 \ HYD-125



**Anti-Splash Breather**  
 Catalog page 5b  
 Oil containment application  
 Example when ordering:  
 AS-57-XL-40



**Breathers With Dipsticks**  
 Catalog page 5b  
 Allows for checking oil level  
 Example when ordering:  
 57-XL-40-DIP / BPC-57-XL-40-DIP



**Non Breather**  
 Catalog page 8b  
 Non breathing cap  
 Example when ordering:  
 FCS-557



**Side Mount Breather**  
 Catalog page 4b  
 Allows mounting breather on side of reservoir  
 Example when ordering:  
 SM-57-XL-40



**Nylon Filler Breather**  
 Catalog page 9b  
 Bayonet non metal cap  
 Example when ordering:  
 NY-B-40



**Bayonet Filter Breather**  
 Catalog page 10b  
 Bayonet filter breather  
 Example when ordering:  
 LGB-B12-10-3-30



## 6 Bolt bayonet Flange

These SAE J829 tank mounted filler breathers are used as a fill port on reservoirs. Lenz breathers filter out contaminants when filling the reservoir, and airborne contaminants as the system is operating. Over the next few pages Lenz offers various components you can select when designing your filler breather assembly.

## Bayonet Filler Breather Components

### Steel Zinc Plated or Epoxy coated flanges

- SAE J829 mounting flange
- 1/2" height, (5 flange )
- 1 1/2" height, (5-1.5 HN)
- 3" height, (5-3 HN )

### Stainless Steel Baskets (304 S.S)

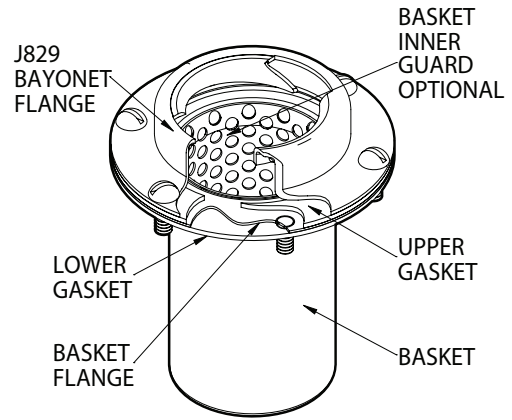
- 7-2-30 2" O.A.L. 30 mesh stainless screens, steel zinc plated flange
- 7-3-30 3" O.A.L. 30 mesh stainless screens, steel zinc plated flange
- 7-3-100 3" O.A.L. 100 mesh stainless screens, steel zinc plated flange
- 7-6-30 6" O.A.L. 30 mesh stainless screen, steel zinc plated flange
- 7-6-100 6" O.A.L. 100 mesh stainless screen, steel zinc plated flange
- 7-8-30 8" O.A.L. 30 mesh stainless screen, steel zinc plated flange
- 7-8-100 8" O.A.L. 100 mesh stainless screen, steel zinc plated flange
- 7-13-30 13" O.A.L. 30 mesh stainless screen, steel zinc plated flange

### Nylon Basket

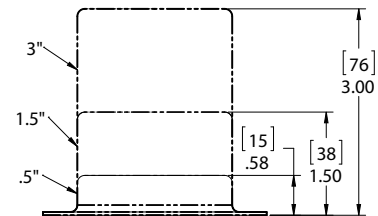
- 7-N 3.8" O.A.L. 30 mesh polypropylene screens

### Basket Inner Guards

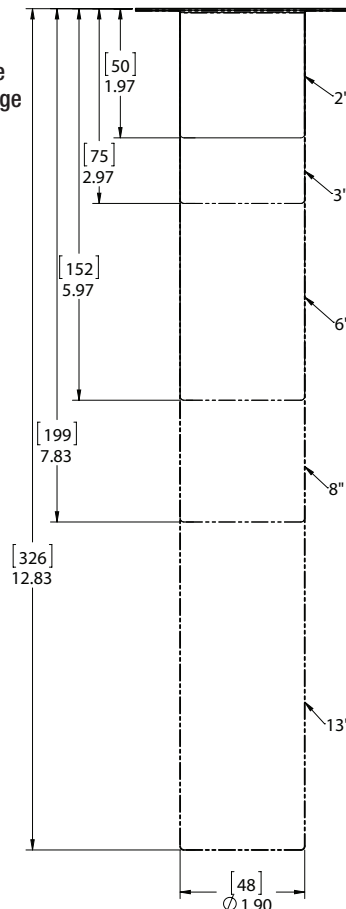
- Steel perforated metal, steel zinc plated flange
- 7-3 inner guard 3" basket, steel zinc plated flange
- 7-6 inner guard 6" basket, steel zinc plated flange
- 7-8 inner guard 8" basket, steel zinc plated flange
- 7-13 inner guard 13" basket, steel zinc plated flange



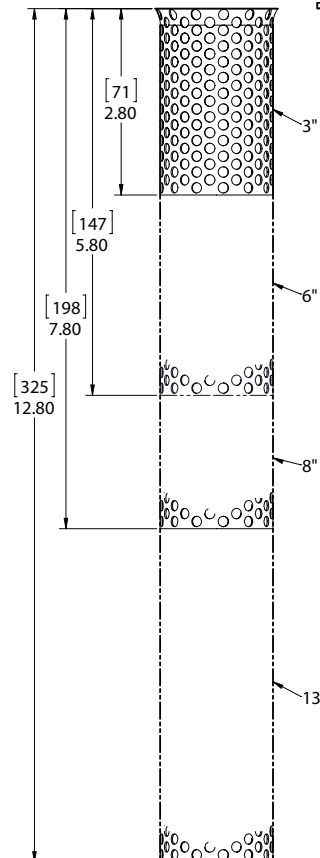
Bayonet Flange



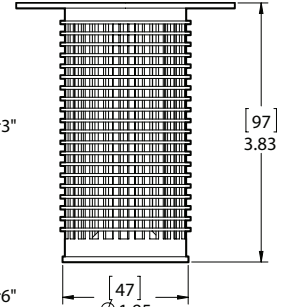
Stainless Baskets



Basket Inner Guard



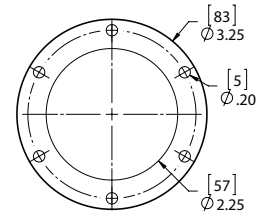
Nylon Basket





## Bayonet Gaskets

- Cork-rubber flange gaskets (8 cork gasket)
- Buna rubber flange gaskets (8 buna gasket)
- Cork-rubber tab gasket (XL gasket cork)
- Buna rubber tab gasket (XL gasket buna)



## Bayonet Screws

- 10-24 x 1/2" steel zinc finish self thread forming #9 screws (qty.6)
- 10-32 x 1/2" steel zinc finish slotted round head machine screw
- 10-24 x 1/2" stainless 18-8 self thread forming screw



## Side Mount Filler Cap Assemblies

### Filler Strainer Breather Model SM

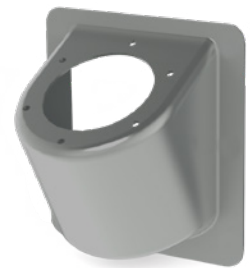
Filters, Breathes and Strains - Makes hydraulic fuel tank customizing easier. Designed for use on tanks that require filling from the end or side. Choice of standard or weather-proof cap (same as Model FCS) at no extra charge. Fully assembled and ready to mount. Includes instructions and template. May also be welded directly to side of reservoir.

**LENZ Quality Standards** - Heavy-duty design, one-piece housing is of steel. Six bolts with nuts and seals and mounting gasket are included. All other components and specifications are identical to those for LENZ Standard FCS Model or 57XL (Page 1b). Zinc or black powder coated oxide finish optional at additional cost. Separate housings, SMW unplated, are also available.

BOLT-ON OPTION



WELD-ON OPTION UNPLATED



## Assembly Ordering Code

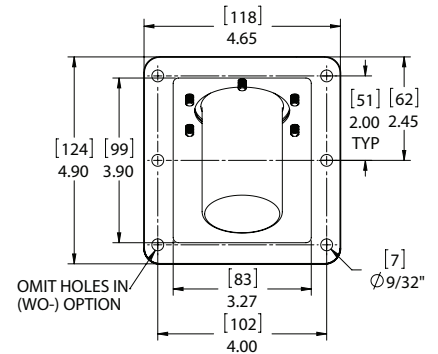
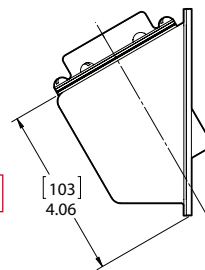
SM - AS - 57XL - 40 - 3 - 100 - 3 HN

Omit	(Standard)
SM	Side Mount
WO-SM	Weld On

Choose the desired style filler breather cap

57-XL Series Ordering Code, see page 3b
FCS 557 Series Ordering Code, see page 6b
FCS 537 Series Ordering Code, see page 5b
NY-B Series Ordering Code, see page 7b
LGB Series Ordering Code, see page 8b

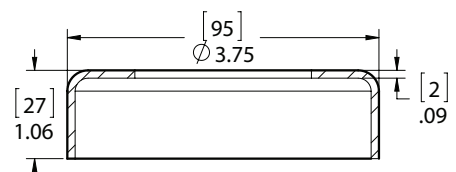
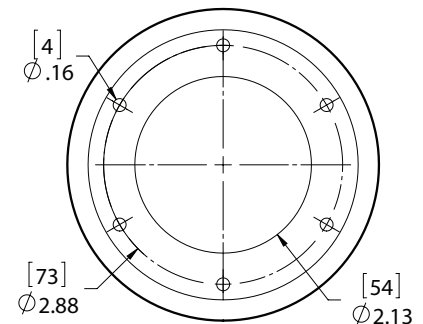
Only the 3" Stainless basket can be used with the SM series.



## Weld Neck Risers

### Model LWR

The "LWR" series Weld Neck Risers are designed to raise filler breather assemblies up to 1" above the surface of the tank top. This low cost riser eliminates costly repairs brought on by contamination and water being swep into the reservoir.

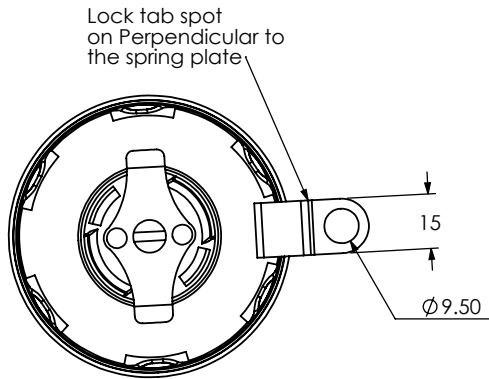
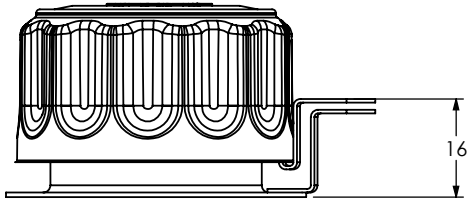


Model	Material	Height
LWR-1	Steel	1 1/16"
LWR-1-ALUM	Aluminum	1 1/16"
LWR-1-SS	304 Stainless Steel	1 1/16"

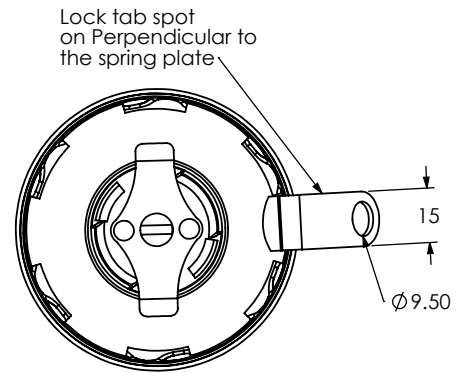
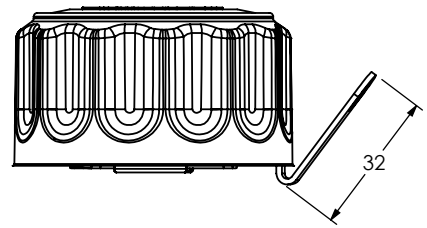


# Lock Tab Reference

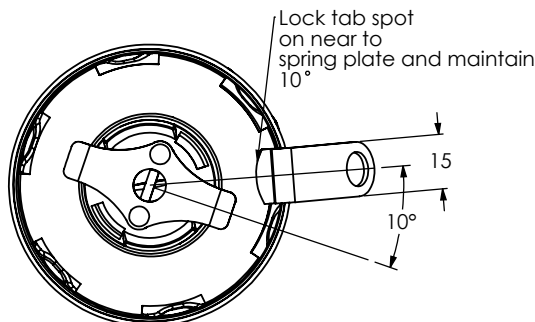
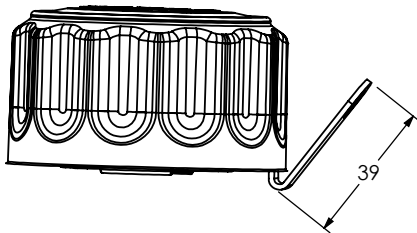
**LD**



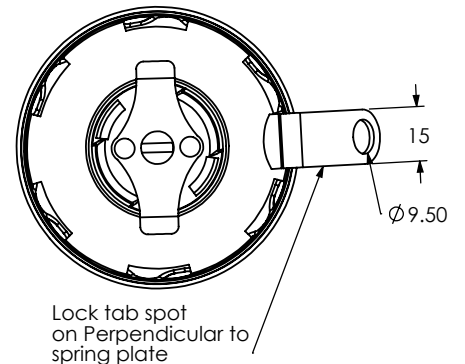
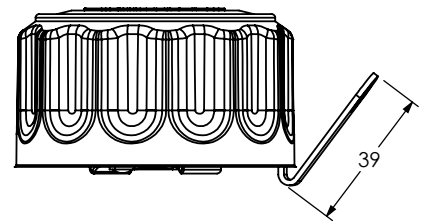
**LC**



**LLH – Hydraulic Neck**



**LL5 – (Prior 2015 Design)**  
Cap only available





## Dipstick reference chart

	Series	Markings	Type of Dipstick	Page	Lead Time
<b>Quantity</b>	<b>NY, NY-LVB, NYF, LDP</b>			<b>17, 24, 30b</b>	
<b>1-24</b>	Standard Length	No Markings	Cylindrical		2 Weeks
<b>25-99</b>	Cut to Length	No Markings	Cylindrical		2 Weeks
<b>100-249</b>	Cut to Length	Hash Markings	Cylindrical		4-6 Weeks
<b>250+</b>	Cut to Length	Hash Markings	Cylindrical		4-6 Weeks
<b>250+</b>	Cut to Length	Laser Markings	Blade		8 Weeks
<b>Quantity</b>	<b>NYPF, NYPO, LDP</b>	<b>Markings</b>	<b>Type of Dipstick</b>	<b>34, 35b</b>	
<b>1-24</b>	Standard Length	No Markings	Cylindrical		2 Weeks
<b>25-99</b>	Cut to Length	No Markings	Cylindrical		2 Weeks
<b>100-249</b>	Cut to Length	Hash Markings	Cylindrical		4-6 Weeks
<b>250+</b>	Cut to Length	Hash Markings	Cylindrical		4-6 Weeks
<b>250+</b>	Cut to Length	Laser Markings	Blade		8 Weeks
<b>Quantity</b>	<b>NY-B, XLPO</b>	<b>Markings</b>	<b>Type of Dipstick</b>	<b>9, 34b</b>	
<b>1-24</b>	Standard Length	No Markings	Blade		2 Weeks
<b>25-99</b>	Cut to Length	No Markings	Blade		2 Weeks
<b>100-249</b>	Cut to Length	Laser Markings	Blade		4-6 Weeks
<b>250+</b>	Cut to Length	Laser Markings	Blade		8 Weeks
<b>Quantity</b>	<b>XL, 3 &amp; 4, caps</b>	<b>Markings</b>	<b>Type of Dipstick</b>	<b>5, 6, 7b</b>	
<b>1-24</b>	Standard Length	No Markings	Blade		2 Weeks
<b>25-99</b>	Cut to Length	No Markings	Blade		2 Weeks
<b>100-249</b>	Cut to Length	Stamp Markings	Blade		4-6 Weeks
<b>250+</b>	Cut to Length	Laser Markings	Blade		8 Weeks
<b>Quantity</b>	<b>BF, LMB</b>	<b>Markings</b>	<b>Type of Dipstick</b>	<b>20, 22b</b>	
<b>1-24</b>	Standard Length	No Markings	Blade		2 Weeks
<b>25-99</b>	Cut to Length	No Markings	Blade		4-6 Weeks
<b>100-249</b>	Cut to Length	Stamp Markings	Blade		8 Weeks
<b>250+</b>	Cut to Length	Laser Markings	Blade		8 Weeks
<b>Quantity</b>	<b>ABFT, AFBB, AFBM</b>	<b>Markings</b>	<b>Type of Dipstick</b>	<b>23, 26b</b>	
<b>1-24</b>	Standard Length	No Markings	Blade		4-6 Weeks
<b>25-99</b>	Cut to Length,	No Markings	Blade		4-6 Weeks
<b>100-249</b>	Cut to Length	Stamp Markings	Blade		8 Weeks
<b>250+</b>	Cut to Length	Laser Markings	Blade		8 Weeks
<b>Quantity</b>	<b>NY-9-M52</b>	<b>Markings</b>	<b>Type of Dipstick</b>	<b>29b</b>	
<b>1-24</b>	Standard Length	No Markings	Blade		4-6 Weeks
<b>25-99</b>	Cut to Length	No Markings	Blade		4-6 Weeks
<b>100-249</b>	Cut to Length	Stamp Markings	Blade		8 Weeks
<b>250+</b>	Cut to Length	Laser Markings	Blade		8 Weeks