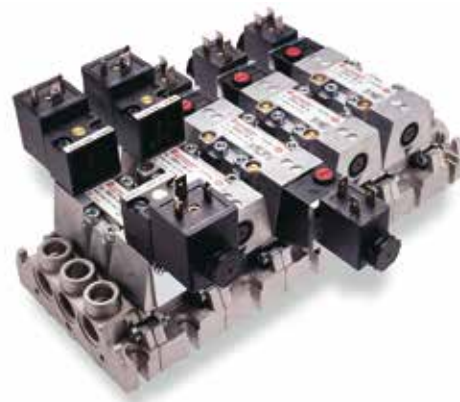


**NITUFF® coated non-corrosive spool and sleeve for long trouble free life (100 million plus cycles)**  
**Integral flow controls for cylinder speed control on size #1, and #2 models**  
**Low power solenoids with manual override options**  
**End and CNOMO solenoid pilots**  
**Base mounted soft start valves available**  
**Minimal maintenance**



## Technical data

### Medium:

Compressed air, 40µm filtered, lubricated or non-lubricated

### Operation:

Glandless spool valve, solenoid pilot or air pilot actuated

### Mounting:

On sub-bases

### Sizes:

#1, #2, #3

Meets ISO 5599/1

### Operating Pressure:

Maximum pressure

145 psig (10 bar) solenoid pilot

actuated valves with internal pilot supply

232 psig (16 bar) solenoid pilot

actuated valves with external pilot supply

232 psig (16 bar) air pilot actuated

valves

Flow Characteristics (unregulated):

Size	Cv	l/min
#1	1.2	5.5
#2	2.4	10.7
#3	4.4	17.9

Ambient Temperature:

5°F\* to 122°F (-15°C to 50°C)

solenoid pilot actuated valves

5°F\* to 176°F (-15°C to 80°C) air

pilot actuated valves

\*Consult our Technical Service for use below 36°F (2°C)

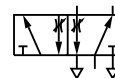
### Materials:

Die cast aluminum body. Hard anodized, PTFE coated, matched aluminum spool and sleeve. FPM and nitrile rubber seals. Zinc die cast locking plate. POM plastic parts. Zinc plated screws. Brass flow regulators.

### Ordering Information

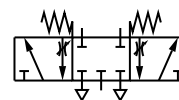
To order select model number, add voltage code and connector code, e.g. SXE 0573-A60-00/13JB for a 5/2 double end solenoid pilot size #1 valve with internal pilot air supply, integral flow regulators, shrouded push button lockable manual override, 22 mm coil 24 VDC with cable grip connector.

### 5/2



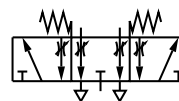
### 5/3

All ports blocked mid position



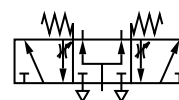
### 5/3

Center open exhaust mid position



### 5/3

Center open pressure mid position



5/2 Solenoid Pilot Actuated Valves

	Model	Size	Flow Control	Pilot Supply	Operator	Return	Operating Pressure psig (bar)	Pilot Pressure psig (bar)	Weight lb. (kg)
	SXE9573-A70-00-****	#1	-	Internal	Solenoid	Air Spring	14.5 - 145 (1 - 10)	-	0.74 (0.33)
	SXE9574-A70-00-****	#2	-	Internal	Solenoid	Air Spring	14.5 - 145 (1 - 10)	-	1.34 (0.59)
	SXE9575-A70-00-****	#3	-	Internal	Solenoid	Air Spring	14.5 - 145 (1 - 10)	-	1.93 (0.85)
	SXE9573-A80-00-****	#1	Integral	Internal	Solenoid	Air Spring	14.5 - 145 (1 - 10)	-	0.74 (0.33)
	SXE9574-A80-00-****	#2	Integral	Internal	Solenoid	Air Spring	14.5 - 145 (1 - 10)	-	1.34 (0.59)
	SXE9575-A75-00-****	#3	-	External	Solenoid	Air Spring	26" Hg - 232 (-0.9 - 16)	14.5 - 145 (1 - 10)	0.74 (0.33)
	SXE9573-A75-00-****	#1	-	External	Solenoid	Air Spring	26" Hg - 232 (-0.9 - 16)	14.5 - 145 (1 - 10)	1.34 (0.59)
	SXE9574-A75-00-****	#2	-	External	Solenoid	Air Spring	26" Hg - 232 (-0.9 - 16)	14.5 - 145 (1 - 10)	1.93 (0.85)
	SXE9575-A75-00-****	#3	-	External	Solenoid	Air Spring	26" Hg - 232 (-0.9 - 16)	14.5 - 145 (1 - 10)	1.93 (0.85)
	SXE9573-A85-00-****	#1	Integral	External	Solenoid	Air Spring	26" Hg - 232 (-0.9 - 16)	14.5 - 145 (1 - 10)	0.74 (0.33)
	SXE9574-A85-00-****	#2	Integral	External	Solenoid	Air Spring	26" Hg - 232 (-0.9 - 16)	14.5 - 145 (1 - 10)	1.34 (0.59)
	SXE9575-A85-00-****	#3	-	External	Solenoid	Air Spring	26" Hg - 232 (-0.9 - 16)	14.5 - 145 (1 - 10)	1.93 (0.85)
	SXE0573-A50-00-****	#1	-	Internal	Solenoid	Solenoid	29 - 145 (2 - 10)	-	1.02 (0.45)
	SXE0574-A50-00-****	#2	-	Internal	Solenoid	Solenoid	29 - 145 (2 - 10)	-	1.63 (0.72)
	SXE0575-A50-00-****	#3	-	Internal	Solenoid	Solenoid	29 - 145 (2 - 10)	-	2.18 (0.96)
	SXE0573-A60-00-****	#1	Integral	Internal	Solenoid	Solenoid	29 - 145 (2 - 10)	-	1.02 (0.45)
	SXE0574-A60-00-****	#2	Integral	Internal	Solenoid	Solenoid	29 - 145 (2 - 10)	-	1.63 (0.72)
	SXE0575-A60-00-****	#3	-	External	Solenoid	Solenoid	26" Hg - 232 (-0.9 - 16)	29 - 145 (2 - 10)	1.02 (0.45)
	SXE0573-A55-00-****	#1	-	External	Solenoid	Solenoid	26" Hg - 232 (-0.9 - 16)	29 - 145 (2 - 10)	1.63 (0.72)
	SXE0574-A55-00-****	#2	-	External	Solenoid	Solenoid	26" Hg - 232 (-0.9 - 16)	29 - 145 (2 - 10)	2.18 (0.96)
	SXE0575-A55-00-****	#3	-	External	Solenoid	Solenoid	26" Hg - 232 (-0.9 - 16)	29 - 145 (2 - 10)	2.18 (0.96)
	SXE0573-A65-00-****	#1	Integral	External	Solenoid	Solenoid	26" Hg - 232 (-0.9 - 16)	29 - 145 (2 - 10)	1.02 (0.45)
	SXE0574-A65-00-****	#2	Integral	External	Solenoid	Solenoid	26" Hg - 232 (-0.9 - 16)	29 - 145 (2 - 10)	1.63 (0.72)
	SXE0575-A65-00-****	#3	-	External	Solenoid	Solenoid	26" Hg - 232 (-0.9 - 16)	29 - 145 (2 - 10)	2.18 (0.96)

5/3 Solenoid Pilot Actuated Valves

	Model	Size	Flow Control	Valve Function*	Pilot Supply	Operator	Operator	Operating Pressure psig (bar)	Pilot Pressure psig (bar)	Weight lb. (kg)
	SXE9673-A60-00-****	#1	Integral	APB	Internal	Solenoid	Solenoid	29 - 145 (2 - 10)	-	1.02 (0.45)
	SXE9674-A60-00-****	#2	Integral	APB	Internal	Solenoid	Solenoid	29 - 145 (2 - 10)	-	1.63 (0.72)
	SXE9675-A50-00-****	#3	-	APB	Internal	Solenoid	Solenoid	29 - 145 (2 - 10)	-	2.18 (0.96)
	SXE9673-A65-00-****	#1	Integral	APB	External	Solenoid	Solenoid	26" Hg - 232 (-0.9 - 16)	29 - 145 (2 - 10)	1.02 (0.45)
	SXE9674-A65-00-****	#2	Integral	APB	External	Solenoid	Solenoid	26" Hg - 232 (-0.9 - 16)	29 - 145 (2 - 10)	1.63 (0.72)
	SXE9675-A55-00-****	#3	-	APB	External	Solenoid	Solenoid	26" Hg - 232 (-0.9 - 16)	29 - 145 (2 - 10)	2.18 (0.96)
	SXE9773-A60-00-****	#1	Integral	COE	Internal	Solenoid	Solenoid	29 - 145 (2 - 10)	-	1.02 (0.45)
	SXE9774-A60-00-****	#2	Integral	COE	Internal	Solenoid	Solenoid	29 - 145 (2 - 10)	-	1.63 (0.72)
	SXE9775-A50-00-****	#3	-	COE	Internal	Solenoid	Solenoid	29 - 145 (2 - 10)	-	2.18 (0.96)
	SXE9773-A65-00-****	#1	Integral	COE	External	Solenoid	Solenoid	26" Hg - 232 (-0.9 - 16)	29 - 145 (2 - 10)	1.02 (0.45)
	SXE9774-A65-00-****	#2	Integral	COE	External	Solenoid	Solenoid	26" Hg - 232 (-0.9 - 16)	29 - 145 (2 - 10)	1.63 (0.72)
	SXE9775-A55-00-****	#3	-	COE	External	Solenoid	Solenoid	26" Hg - 232 (-0.9 - 16)	29 - 145 (2 - 10)	2.18 (0.96)
	SXE9873-A60-00-****	#1	Integral	COP	Internal	Solenoid	Solenoid	29 - 14.5 (2 - 10)	-	1.02 (0.45)
	SXE9874-A60-00-****	#2	Integral	COP	Internal	Solenoid	Solenoid	29 - 14.5 (2 - 10)	-	1.63 (0.72)
	SXE9875-A50-00-****	#3	-	COP	Internal	Solenoid	Solenoid	29 - 14.5 (2 - 10)	-	2.18 (0.96)
	SXE9873-A65-00-****	#1	Integral	COP	External	Solenoid	Solenoid	26" Hg - 232 (-0.9 - 16)	29 - 145 (2 - 10)	1.02 (0.45)
	SXE9874-A65-00-****	#2	Integral	COP	External	Solenoid	Solenoid	26" Hg - 232 (-0.9 - 16)	29 - 145 (2 - 10)	1.63 (0.72)
	SXE9874-A65-00-****	#3	-	COP	External	Solenoid	Solenoid	26" Hg - 232 (-0.9 - 16)	29 - 145 (2 - 10)	2.18 (0.96)

APB = All Ports Blocked      COE = Center Open Exhaust      COP = Center Open Pressure

\*\*\* Voltage Codes

Voltage	22 mm Coil with connector interface acc. to Industrial Standard		30 mm Coil with connector interface acc. to DIN 43650 table "A"	
	Power Inrush/Hold	Code	Power Inrush/Hold	Code
12 VDC	2W	12J	1.5W	22N
24 VDC	2W	13J	1.5W	23N
24V 50/60 Hz	4/2.5 VA	14J	3/2 VA	24N
48V 50/60 Hz	4/2.5 VA	16J	3/2 VA	26N
110/120V 50/60 Hz	4/2.5 VA	18J	3/2 VA	28N
220/240V 50/60 Hz	9/5.0 VA	19J	10/8 VA	89N

† Connector Codes

Code	Connector Description
A	Solenoid without connector
B	Cable grip
C	6 ft. molded cable, 0-240 VAC/VDC
5	6 ft. molded cable with indicator light surge suppression, 24 VAC/VDC
6	6 ft. molded cable with indicator light, 110V/50 Hz - 120V/60 Hz

Part Number Example: SXE9573-Z70-00-12JA Where "12J" is a 12 VDC coil with a 22 mm connector interface, and "A" is a solenoid without connector.

5/2 CNOMO Solenoid Pilot Actuated Valves

	Model	Size	Flow Control		Pilot Supply Operator	Return psig (bar)	Operating Pressure psig (bar)	Pilot Pressure lb. (kg)	Weight
	SXE9573-Z70-90-***†	#1	-	Internal	Solenoid	Air Spring	14.5 - 145 (1 - 10)	-	0.74 (0.33)
	SXE9574-Z70-90-***†	#2	-	Internal	Solenoid	Air Spring	14.5 - 145 (1 - 10)	-	1.34 (0.59)
	SXE9575-Z70-90-***†	#3	-	Internal	Solenoid	Air Spring	14.5 - 145 (1 - 10)	-	1.93 (0.85)
	SXE9573-Z80-90-***†	#1	Integral	Internal	Solenoid	Air Spring	14.5 - 145 (1 - 10)	-	0.74 (0.33)
	SXE9574-Z80-90-***†	#2	Integral	Internal	Solenoid	Air Spring	14.5 - 145 (1 - 10)	-	1.34 (0.59)
	SXE9573-Z75-90-***†	#1	-	External	Solenoid	Air Spring	26" Hg - 232 (-0.9 - 16)	14.5 - 145 (1 - 10)	0.74 (0.33)
	SXE9574-Z75-90-***†	#2	-	External	Solenoid	Air Spring	26" Hg - 232 (-0.9 - 16)	14.5 - 145 (1 - 10)	1.34 (0.59)
	SXE9575-Z75-90-***†	#3	-	External	Solenoid	Air Spring	26" Hg - 232 (-0.9 - 16)	14.5 - 145 (1 - 10)	1.93 (0.85)
	SXE9573-Z85-90-***†	#1	Integral	External	Solenoid	Air Spring	26" Hg - 232 (-0.9 - 16)	14.5 - 145 (1 - 10)	0.74 (0.33)
	SXE0573-Z50-90-***†	#1	-	Internal	Solenoid	Solenoid	29 - 145 (2 - 10)	-	1.02 (0.45)
	SXE0574-Z50-90-***†	#2	-	Internal	Solenoid	Solenoid	29 - 145 (2 - 10)	-	1.63 (0.72)
	SXE0575-Z50-90-***†	#3	-	Internal	Solenoid	Solenoid	29 - 145 (2 - 10)	-	2.18 (0.96)
	SXE0573-Z60-90-***†	#1	Integral	Internal	Solenoid	Solenoid	29 - 145 (2 - 10)	-	1.02 (0.45)
	SXE0574-Z60-90-***†	#2	Integral	Internal	Solenoid	Solenoid	29 - 145 (2 - 10)	-	1.63 (0.72)
	SXE0573-Z55-90-***†	#1	-	External	Solenoid	Solenoid	26" Hg - 232 (-0.9 - 16)	29 - 145 (2 - 10)	1.02 (0.45)
	SXE0574-Z55-90-***†	#2	-	External	Solenoid	Solenoid	26" Hg - 232 (-0.9 - 16)	29 - 145 (2 - 10)	1.63 (0.72)
	SXE0575-Z55-90-***†	#3	-	External	Solenoid	Solenoid	26" Hg - 232 (-0.9 - 16)	29 - 145 (2 - 10)	2.18 (0.96)
	SXE0573-Z65-90-***†	#1	Integral	External	Solenoid	Solenoid	26" Hg - 232 (-0.9 - 16)	29 - 145 (2 - 10)	1.02 (0.45)
	SXE0574-Z65-90-***†	#2	Integral	External	Solenoid	Solenoid	26" Hg - 232 (-0.9 - 16)	29 - 145 (2 - 10)	1.63 (0.72)

5/3 CNOMO Solenoid Pilot Actuated Valves

	Model	Size	Flow Control	Valve Function*	Pilot Supply Operator	Operator psig (bar)	Operating Pressure psig (bar)	Pilot Pressure lb. (kg)	Weight
	SXE9673-Z60-90-***†	#1	Integral	APB	Internal	Solenoid	29 - 145 (2 - 10)	-	1.02 (0.45)
	SXE9674-Z60-90-***†	#2	Integral	APB	Internal	Solenoid	29 - 145 (2 - 10)	-	1.63 (0.72)
	SXE9675-Z50-90-***†	#3	-	APB	Internal	Solenoid	29 - 145 (2 - 10)	-	2.18 (0.96)
	SXE9673-Z65-90-***†	#1	Integral	APB	External	Solenoid	26" Hg - 232 (-0.9 - 16)	29 - 145 (2 - 10)	1.02 (0.45)
	SXE9674-Z65-90-***†	#2	Integral	APB	External	Solenoid	26" Hg - 232 (-0.9 - 16)	29 - 145 (2 - 10)	1.63 (0.72)
	SXE9675-Z55-90-***†	#3	-	APB	External	Solenoid	26" Hg - 232 (-0.9 - 16)	29 - 145 (2 - 10)	2.18 (0.96)
	SXE9773-Z60-90-***†	#1	Integral	COE	Internal	Solenoid	29 - 145 (2 - 10)	-	1.02 (0.45)
	SXE9774-Z60-90-***†	#2	Integral	COE	Internal	Solenoid	29 - 145 (2 - 10)	-	1.63 (0.72)
	SXE9775-Z50-90-***†	#3	-	COE	Internal	Solenoid	29 - 145 (2 - 10)	-	2.18 (0.96)
	SXE9773-Z65-90-***†	#1	Integral	COE	External	Solenoid	26" Hg - 232 (-0.9 - 16)	29 - 145 (2 - 10)	1.02 (0.45)
	SXE9774-Z65-90-***†	#2	Integral	COE	External	Solenoid	26" Hg - 232 (-0.9 - 16)	29 - 145 (2 - 10)	1.63 (0.72)
	SXE9775-Z55-90-***†	#3	-	COE	External	Solenoid	26" Hg - 232 (-0.9 - 16)	29 - 145 (2 - 10)	2.18 (0.96)
	SXE9873-Z60-90-***†	#1	Integral	COP	Internal	Solenoid	29 - 145 (2 - 10)	-	1.02 (0.45)
	SXE9874-Z60-90-***†	#2	Integral	COP	Internal	Solenoid	29 - 145 (2 - 10)	-	1.63 (0.72)
	SXE9875-Z50-90-***†	#3	-	COP	Internal	Solenoid	29 - 145 (2 - 10)	-	2.18 (0.96)
	SXE9873-Z65-90-***†	#1	Integral	COP	External	Solenoid	26" Hg - 232 (-0.9 - 16)	29 - 145 (2 - 10)	1.02 (0.45)
	SXE9874-Z65-90-***†	#2	Integral	COP	External	Solenoid	26" Hg - 232 (-0.9 - 16)	29 - 145 (2 - 10)	1.63 (0.72)
	SXE9875-Z55-90-***†	#3	-	COP	External	Solenoid	26" Hg - 232 (-0.9 - 16)	29 - 145 (2 - 10)	2.18 (0.96)

APB = All Ports Blocked      COE = Center Open Exhaust      COP = Center Open Pressure

\*\*\* Voltage Codes

Voltage	22 mm Coil with connector interface acc. to Industrial Standard		30 mm Coil with connector interface acc. to DIN 43650 table "A"		Code	Connector Description
	Power Inrush/Hold	Code	Power Inrush/Hold	Code		
12 VDC	2W	12J	1.5W	22N	A	Solenoid without connector
24 VDC	2W	13J	1.5W	23N	B	Cable grip
24V 50/60 Hz	4/2.5 VA	14J	3/2 VA	24N	C	6 ft. molded cable, 0-240 VAC/VDC
48V 50/60 Hz	4/2.5 VA	16J	3/2 VA	26N	5	6 ft. molded cable with indicator light surge suppression, 24 VAC/VDC
110/120V 50/60 Hz	4/2.5 VA	18J	3/2 VA	28N	6	6 ft. molded cable with indicator light, 110V/50 Hz - 120V/60 Hz
220/240V 50/60 Hz	9/5.0 VA	19J	10/8 VA	89N		

†Connector Codes

Part Number Example: SXE9573-Z70-00-12JA Where "12J" is a 12 VDC coil with a 22 mm connector interface, and "A" is a solenoid without connector.

Other Voltages available on request.

### Replacement Coils and Connectors

22 mm Coil with connector interface acc. to Industrial Standard Coil Part.-no.	30 mm Coil with connector interface acc. to DIN 43650 table "A" Coil Part.-no.	22 mm Connector acc. to Industrial Standard	30 mm Connector acc. to DIN 43650 table "A"
54469-01	V10633-A22N	-	-
54469-02	V10633-A23N	54934-01	54933-05
54469-04	V10633-A24N	54934-21	54933-06
54469-07	V10633-A26N	54934-30	54933-09
54469-03	V10633-A28N	54934-35	M/P43316/23
54469-08	V10633-A89N	-	-

Other Connectors available on request.

### 5/2 Air Pilot Actuated Valves

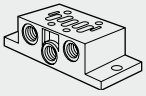
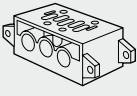
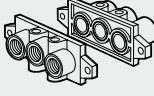

	Model	Size	Flow	Operator Control	Return	Operating Pressure psig (bar)	Pilot Pressure psig (bar)	Weight lb. (kg)
	SXP9573-170-00	#1	-	Air	Spring	26" Hg - 232 (-0.9 - 16)	23.2 - 232 (1.6 - 16)	0.47 (0.21)
	SXP9574-170-00	#2	-	Air	Spring	26" Hg - 232 (-0.9 - 16)	23.2 - 232 (1.6 - 16)	1.02 (0.45)
	SXP9575-170-00	#3	-	Air	Spring	26" Hg - 232 (-0.9 - 16)	23.2 - 232 (1.6 - 16)	1.63 (0.72)
	SXP9573-180-00	#1	Integral	Air	Spring	26" Hg - 232 (-0.9 - 16)	23.2 - 232 (1.6 - 16)	0.47 (0.21)
	SXP9574-180-00	#2	Integral	Air	Spring	26" Hg - 232 (-0.9 - 16)	23.2 - 232 (1.6 - 16)	1.02 (0.45)
	SXP0573-170-00	#1	-	Air	Air	26" Hg - 232 (-0.9 - 16)	29 - 232 (2 - 16)	0.68 (0.30)
	SXP0574-170-00	#2	-	Air	Air	26" Hg - 232 (-0.9 - 16)	29 - 232 (2 - 16)	1.13 (0.50)
	SXP0575-170-00	#3	-	Air	Air	26" Hg - 232 (-0.9 - 16)	29 - 232 (2 - 16)	1.63 (0.72)
	SXP0573-180-00	#1	Integral	Air	Air	26" Hg - 232 (-0.9 - 16)	29 - 232 (2 - 16)	0.68 (0.30)
	SXP0574-180-00	#2	Integral	Air	Air	26" Hg - 232 (-0.9 - 16)	29 - 232 (2 - 16)	1.13 (0.50)

### 5/3 Air Pilot Actuated Valves

	Model	Size	Flow Control	Valve Function*	Operator	Operator	Operating Pressure psig (bar)	Pilot Pressure psig (bar)	Weight lb. (kg)
	SXP9673-180-00	#1	Integral	APB	Air	Air	26" Hg - 232 (-0.9 - 16)	29 - 232 (2 - 16)	0.57 (0.25)
	SXP9674-180-00	#2	Integral	APB	Air	Air	26" Hg - 232 (-0.9 - 16)	29 - 232 (2 - 16)	1.32 (0.58)
	SXP9675-170-00	#3	-	APB	Air	Air	26" Hg - 232 (-0.9 - 16)	29 - 232 (2 - 16)	1.82 (0.80)
	SXP9773-180-00	#1	Integral	COE	Air	Air	26" Hg - 232 (-0.9 - 16)	29 - 232 (2 - 16)	0.57 (0.25)
	SXP9774-180-00	#2	Integral	COE	Air	Air	26" Hg - 232 (-0.9 - 16)	29 - 232 (2 - 16)	1.32 (0.58)
	SXP9775-170-00	#3	-	COE	Air	Air	26" Hg - 232 (-0.9 - 16)	29 - 232 (2 - 16)	1.82 (0.80)
	SXP9873-180-00	#1	Integral	COP	Air	Air	26" Hg - 232 (-0.9 - 16)	29 - 232 (2 - 16)	0.57 (0.25)
	SXP9874-180-00	#2	Integral	COP	Air	Air	26" Hg - 232 (-0.9 - 16)	29 - 232 (2 - 16)	1.32 (0.58)
	SXP9875-170-00	#3	-	COP	Air	Air	26" Hg - 232 (-0.9 - 16)	29 - 232 (2 - 16)	1.82 (0.80)

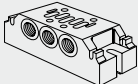

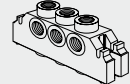
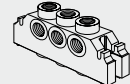
APB = All Ports Blocked  
COE = Center Open Exhaust  
COP = Center Open Pressure

**VDMA 24 345 Base Range**

<b>VDMA 24 345</b>	<b>Form 'A' Single Station Sub-base Side Ported</b>	<b>Form 'C' Modular Sub-base Bottom Ported</b>	<b>Form 'D' Modular Sub-base End Plates (2)</b>	<b>Blanking disk * (dual supply)</b>
				
NPT #1 models (1/4)	C/P19126	239-238B	239-289B	239-251
NPT #2 models (3/8)	C/P19132	239-242B	239-291B	239-252
NPT #3 models (1/2)	C/P19138	239-246B	239-293B	239-253
ISO G #1 models	M/P19126	CQM/22152/3/21	CQM/22152/3/22	FP8382
ISO G #2 models	M/P19132	CQM/22253/3/21	CQM/22253/3/22	FP8482
ISO G #3 models	M/P19138	CQM/22354/3/21	CQM/22354/3/22	FP8582

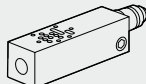
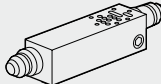
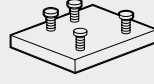
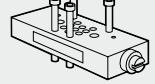
\* Only suitable for specific base range.

**Universal Base Range**

	<b>Modular Sub-base Side and bottom ported</b>	<b>Blanking Disk** (dual supply)</b>	<b>Side End Plate All Ports Closed</b>	<b>Single End Plate End Ports Open</b>
				
ISO #1 models (G1/4)	CQM/22152/3/27	M/P43173	CQM/22152/3/28	CQM/22152/3/31
ISO #2 models (G3/8)	CQM/22253/3/27	M/P43174	CQM/22253/3/28	CQM/22253/3/31

\*\* Universal base range only.

**Accessories**

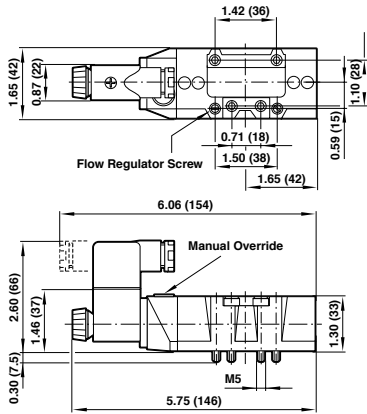
	<b>Single Pressure Regulator port 1 regulated</b>	<b>Pressure Regulator ports 2 &amp; 4 regulated</b>	<b>Blanking Plate</b>	<b>Sandwich Flow Control</b>
				
#1 models	RM1A-8B†	DRM1A-8-8B†	CQM/22152/3/23	
#2 models	RM2A-8B†	DRM2A-8-8B†	CQM/22253/3/23	
#3 models	-	-	CQM/22354/3/23	CQM/22354/3/26

† CNOMO style valves recommended

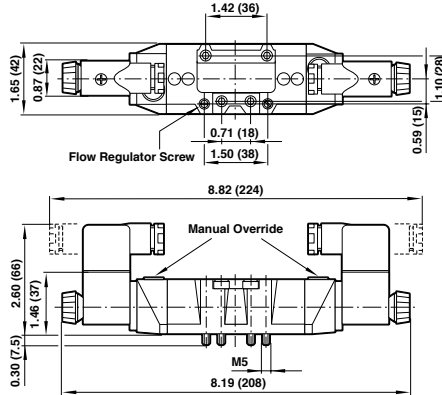
**Sandwich Regulators (valve mounts to regulator, regulator mounts to subbase)**

	<b>Single Pressure port 1 regulated</b>	<b>Dual Pressure ports 2 &amp; 4</b>	<b>Single Pressure port 2</b>	<b>Single Pressure Port 4</b>
ISO #1	V71020-KB1	V71022-KB4	V71022-KB2	V71022-KB3

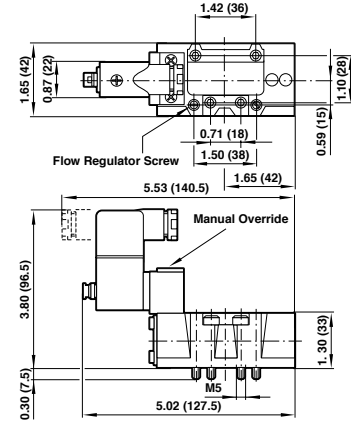
**SXE 9573 – A Models**  
Single End Solenoid Pilot Valves  
Size #1



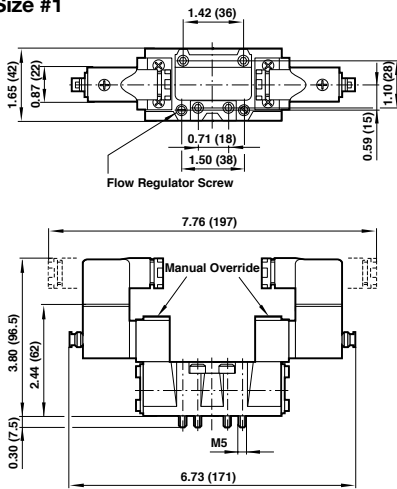
**SXE 0573-A and SXE9\*73-A Models**  
Double End Solenoid Pilot Valves  
Size #1



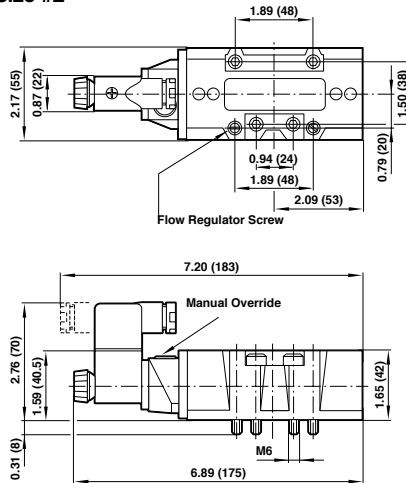
**SXE 9573-Z Models**  
Single CNOMO Solenoid Pilot Valves  
Size #1



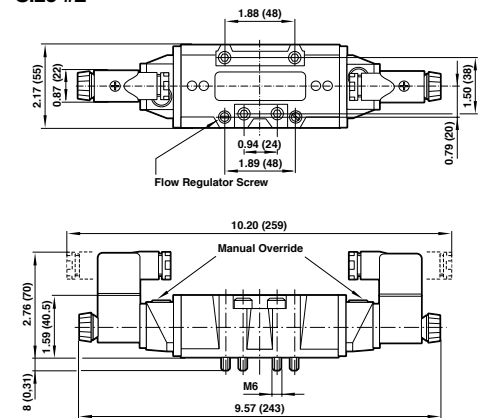
**SXE 0573-Z and SXE 9\*73-Z Models**  
Double CNOMO Solenoid Pilot Valves  
Size #1



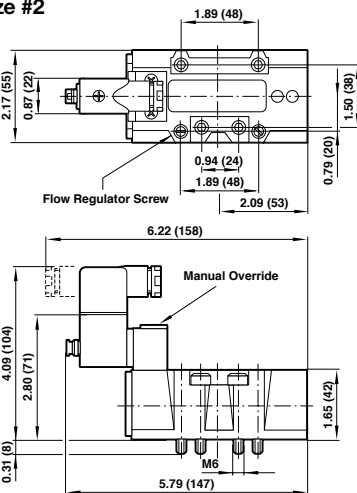
**SXE 9574-A Models**  
Single End Solenoid Pilot Valves  
Size #2



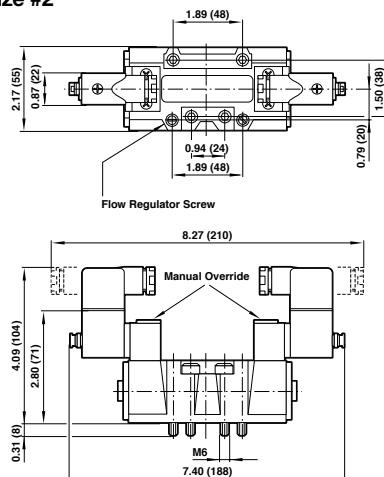
**SXE 0574-A, SXE 9\*74-A Models**  
Double End Solenoid Pilot Valves  
Size #2



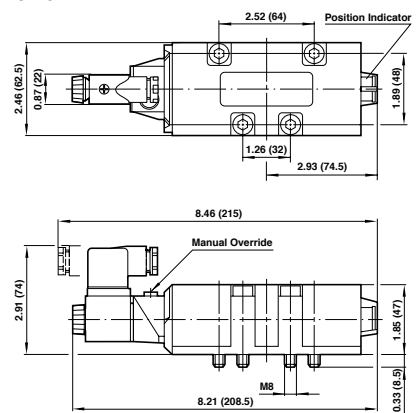
**SXE 9574-Z Models**  
Single CNOMO Solenoid Pilot Valves  
Size #2



**SXE 0574-Z and SXE 9\*74-Z Models**  
Double CNOMO Solenoid Pilot Valves  
Size #2

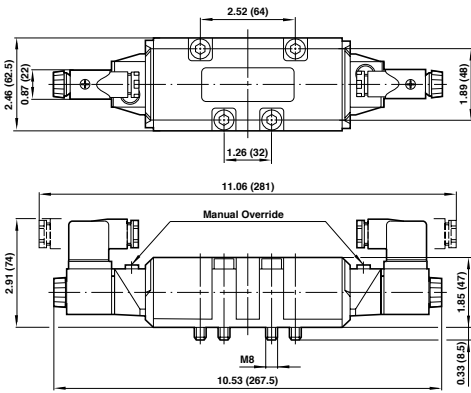


**SXE 9575-A Models**  
Single End Solenoid Pilot Valves  
Size #3

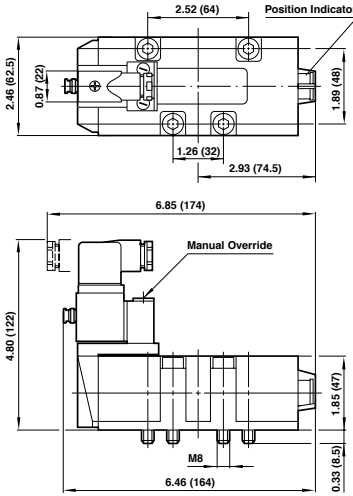


Dimensions in inches (mm)

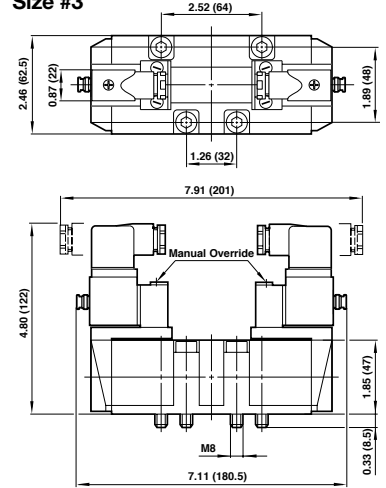
**SXE 0575-A and SXE 9\*75-A Models**  
Double End Solenoid Pilot Valves  
Size #3



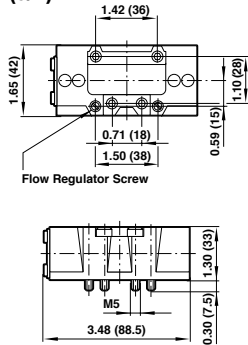
**SXE 9575-Z Models**  
Single CNOMO Solenoid Pilot Valves  
Size #3



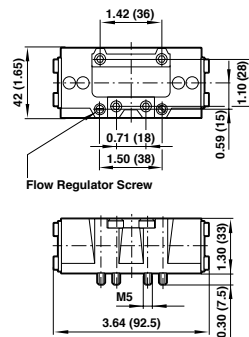
**SXE 0575-Z and SXE 9\*75-Z Models**  
Double CNOMO Solenoid Pilot Valves  
Size #3



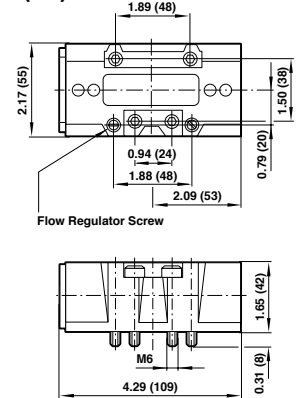
**SXP 9573-1 Models**  
Single Air Pilot Valves  
Size #1 (5/2)



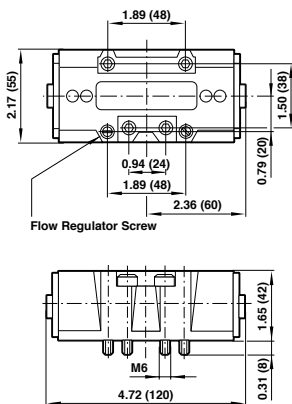
**SXP 0573-1 and SXP 9\*73-1 Models**  
Double Air Pilot, Spring Centered Valves  
Size #1 (5/3)



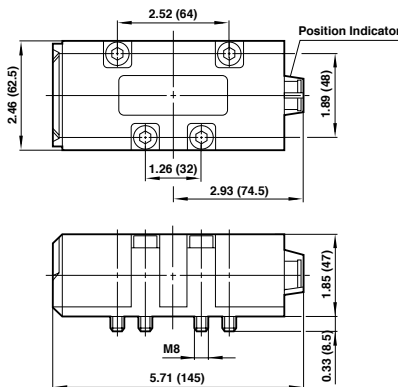
**SXP \*574-1 Models**  
Single and Double Air Pilot Valves  
Size #2 (5/2)



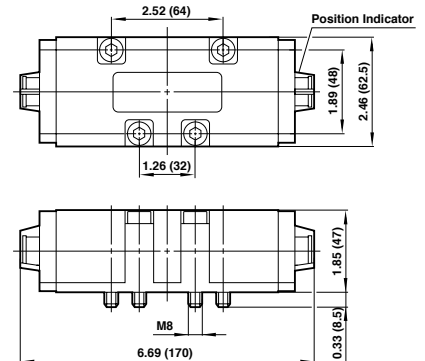
**SXP 9\*74-1 Models**  
Double Air Pilot, Spring Centered Valves  
Size #2 (5/3)



**SXP \*575-1 Models**  
Single and Double Air Pilot Valves  
Size #3 (5/2)



**SXP 9\*75-1 Models**  
Double Air Pilot, Spring Centered Valves  
Size #3 (5/3)



Dimensions in inches (mm)

**SXE 9574 – A70 – 00 – 18 J B**

Operator Type			Substitute
Solenoid pilot operated valve			SXE
Air pilot operated valve			SXP
Signal Duration			Substitute
Momentary (2-position double operator only)			0
Continuous			9
Internal Variations			Substitute
5-Port/2-position			5
5-Port/3-position, spring centered, all ports blocked			6
5-Port/3-position, spring centered, cylinder ports open to exhaust			7
5-Port/3-position, spring centered, cylinder ports open to pressure			8
Mounting Type			Substitute
ISO Star Series			7
Size			Substitute
Size 1			3
Size 2			4
Size 3			5
Solenoid Type			Substitute
Standard solenoid pilot operator			A
CNOMO solenoid pilot operator			Z
Valve Body Options			Substitute
Coils	Speed Control		Substitute
double solenoid	no		5
double solenoid	yes		6
single solenoid	no		7
single solenoid	yes		8

Connector		Substitute
No electrical connector		A
Cable grip		B
6 ft molded cable, 0-240 VAC/VDC		C
6 ft molded cable, w/indicator light, surge suppression, 24 VAC/VDC		5
6 ft molded cable, 110-120 VAC/VDC		6
Air pilot operated		Left Blank
Connector Interface		Substitute
22 mm coil with connector interface according to Industrial Standard		J
22 mm coil with connector interface according to DIN 43650 table "B"		L
30 mm coil with connector interface according to DIN 43650 table "A"		N
No coil or air pilot operated		Blank
Solenoid Voltage		Substitute
12 VDC		2
24 VDC		3
24V 50/60 Hz		4
48V 50/60 Hz		6
110/120V 50/60 Hz		8
220/240V 50/60 Hz		9
No coil or air pilot operated		Blank
Coil		Substitute
20 mm coil		1
30 mm coil		2
Manual Override		Substitute
Combination locking/nonlocking		00
Nonlocking		01
Low watt locking (CNOMO)		90
Pilot Supply/Integral Air Return Operator		Substitute
Internal / integral air return		0
Internal / spring return		1
External / integral air		5
External / spring return		6



**Multipole or individually wired for installation flexibility**

**Interchangeable Fieldbus modules: Profibus-DP, DeviceNet and CANopen**

**Compact and lightweight**

**Quick disconnect base (Pneumapole)**

**High flow from 10 mm valve width**

**To configure and order a Valve Island visit - [vi.norgren.com](http://vi.norgren.com)**



### Technical features

**Medium:**

Compressed air, 40 µm filtered, lubricated and non-lubricated

**Operation:**

Spool valve indirectly actuated

**Port sizes:**

Ø 1/8", 1/4", 5/32", 3, 4, and 6 mm Push-in fittings

**Tube types:**

Nylon 11 or 12, polyurethane\* and other plasticized or unplasticised tubing conforming to the tolerances specified in DIN 73378. NFE 49-101. ISO/WD 16026

**Operating pressure:**

Maximum 116 psig (8 bar)

**Flow:**

Function	l/min	Cv	Kv
5/2 port 1 » 2 & 4	430	0.44	0.36
5/2 ports 2 » 3 & 4 » 5	400	0.41	0.34
3/2 and 5/3	350	0.36	0.29

**Insulation protection:**

Individually wired: IP40

Multipole & Fieldbus: IP65

**Ambient temperature:**

23°F to 122°F (-5°C to 50°C)  
Air supply must be dry enough to avoid ice formation at temperatures below 36°F (2°C).

**Materials:**

Body, end plates: engineered PPA co-polymer  
Spool: aluminum  
Seals: NBR

### Protection classification

**UL/CSA approval**

Recognized to UL 429 - 5th edition & CSA 22.2 No.139 - 1982 for Electrically Operated Valves.

**ATEX**

The 24 VDC multipole and fieldbus valve islands fulfil the requirement of the standard EN60079-0:2012 and EN60079-15:2010 for intended use in explosive atmospheres.



For Ex applications conforming to  
Zone 2 category ATEX 3G (gases):  
II3G Ex nA IIc T5 Gc  
Zone 22 category ATEX 3D (dusts):  
II3D Ex tc IIc T90°C Dc -5°C < Ta > +50°C

Please review all ATEX data and notes in the installation and maintenance instruction manual to ensure correct and safe installation of the valve island.

Technical data

2 x 3/2 Double solenoid actuated valves

Symbol	Model	Actuation	Function	Pilot supply	Manual override	Operating pressure psi (bar)	Pilot pressure psi (bar)	Weight oz (kg)
	VM10*A11AB213B	Solenoid/Spring	NC	Internal	Turn & lock	43.5 to 116 (3 to 8)	–	1.9 (0.054)
	VM10*A11AB313B	Solenoid/Spring	NC	Internal	Push only	43.5 to 116 (3 to 8)	–	1.9 (0.054)
	VM10*A22AB213B	Solenoid/Spring	NC	External	Turn & lock	26" Hg to 116 (-0.9 to 8)	43.5 to 116 (3 to 8)	1.9 (0.054)
	VM10*A22AB313B	Solenoid/Spring	NC	External	Push only	26" Hg to 116 (-0.9 to 8)	43.5 to 116 (3 to 8)	1.9 (0.054)
	VM10*B11AB213B	Solenoid/Spring	NO	Internal	Turn & lock	43.5 to 116 (3 to 8)	–	1.9 (0.054)
	VM10*B11AB313B	Solenoid/Spring	NO	Internal	Push only	43.5 to 116 (3 to 8)	–	1.9 (0.054)
	VM10*B22AB213B	Solenoid/Spring	NO	External	Turn & lock	26" Hg to 116 (-0.9 to 8)	43.5 to 116 (3 to 8)	1.9 (0.054)
	VM10*B22AB313B	Solenoid/Spring	NO	External	Push only	26" Hg to 116 (-0.9 to 8)	43.5 to 116 (3 to 8)	1.9 (0.054)
	VM10*C11AB213B	Solenoid/Spring	NO/NC	Internal	Turn & lock	43.5 to 116 (3 to 8)	–	1.9 (0.054)
	VM10*C11AB313B	Solenoid/Spring	NO/NC	Internal	Push only	43.5 to 116 (3 to 8)	–	1.9 (0.054)
	VM10*C22AB213B	Solenoid/Spring	NO/NC	External	Turn & lock	26" Hg to 116 (-0.9 to 8)	43.5 to 116 (3 to 8)	1.9 (0.054)
	VM10*C22AB313B	Solenoid/Spring	NO/NC	External	Push only	26" Hg to 116 (-0.9 to 8)	43.5 to 116 (3 to 8)	1.9 (0.054)

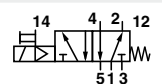
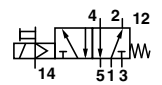
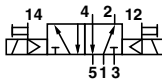
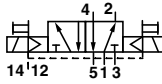
\* For tube size reference Option Selector  
 Use our configurator at [www.norgren.com/usa](http://www.norgren.com/usa)

5/3 COE please use 2 x 3/2 NC  
 5/3 COP please use 2 x 3/2 NO

NC = Normally Closed  
 NO = Normally Open

COE = Center Open Exhaust  
 COP = Center Open Pressure

5/2 Single and double solenoid actuated valves

Symbol	Model	Actuation	Function	Pilot supply	Manual override	Operating pressure psi (bar)	Pilot pressure psi (bar)	Weight oz (kg)
	VM10*517AB213B	Solenoid/Spring	5/2	Internal	Turn & lock	43.5 to 116 (3 to 8)	–	1.55 (0.044)
	VM10*517AB313B	Solenoid/Spring	5/2	Internal	Push only	43.5 to 116 (3 to 8)	–	1.55 (0.044)
	VM10*527AB213B	Solenoid/Spring	5/2	External	Turn & lock	26" Hg to 116 (-0.9 to 8)	43.5 to 116 (3 to 8)	1.55 (0.044)
	VM10*527AB313B	Solenoid/Spring	5/2	External	Push only	26" Hg to 116 (-0.9 to 8)	43.5 to 116 (3 to 8)	1.55 (0.044)
	VM10*511AB213B	Solenoid/Solenoid	5/2	Internal	Turn & lock	29 to 116 (2 to 8)	–	1.9 (0.054)
	VM10*511AB313B	Solenoid/Solenoid	5/2	Internal	Push only	29 to 116 (2 to 8)	–	1.9 (0.054)
	VM10*522AB213B	Solenoid/Solenoid	5/2	External	Turn & lock	26" Hg to 116 (-0.9 to 8)	29 to 116 (2 to 8)	1.9 (0.054)
	VM10*522AB313B	Solenoid/Solenoid	5/2	External	Push only	26" Hg to 116 (-0.9 to 8)	29 to 116 (2 to 8)	1.9 (0.054)

\* For tube size reference Option Selector

Electrical details

Voltage**:	24 VDC 0.6 W
Surge suppression:	Flywheel diode
Indication:	Yellow LED

Solenoids

Voltage tolerance:	± 10%
Rating:	100% ED

\*\* 12 VDC also available.  
 Please consult our Technical Service.

5/3 Double solenoid actuated valves

Symbol	Model	Actuation	Function	Pilot supply	Manual override	Operating pressure psi (bar)	Pilot pressure psi (bar)	Weight oz (kg)
	VM10*611AB213B	Solenoid/Solenoid	APB	Internal	Turn & lock	43.5 to 116 (3 to 8)	-	2 (0.055)
	VM10*611AB313B	Solenoid/Solenoid	APB	Internal	Push only	43.5 to 116 (3 to 8)	-	2 (0.055)
	VM10*622AB213B	Solenoid/Solenoid	APB	External	Turn & lock	26" Hg to 116 (-0.9 to 8)	43.5 to 116 (3 to 8)	2 (0.055)
	VM10*622AB313B	Solenoid/Solenoid	APB	External	Push only	26" Hg to 116 (-0.9 to 8)	43.5 to 116 (3 to 8)	2 (0.055)

\* For tube size reference Option Selector  
Use our configurator at [www.norgren.com/usa](http://www.norgren.com/usa)

5/3 COE please use 2 x 3/2 NC  
5/3 COP please use 2 x 3/2 NO

NC = Normally Closed  
NO = Normally Open

APB = All Ports Blocked  
COE = Center Open Exhaust  
COP = Center Open Pressure

Valve blanking station	Short code	Port blanking station	Short code	Weight oz (kg)
VM106517AQ0300	B000	VM106517AQ0301, port 1 blanked	B100	1 (0.028)
		VM106517AQ0302, ports 3 & 5 blanked	B300	1 (0.028)
		VM106517AQ0303, ports 1, 3 & 5 blanked	B500	1 (0.028)

Electrical details

Voltage**:	24 VDC 0.6 W
Surge suppression:	Flywheel diode
Indication:	Yellow LED

Solenoids

Voltage tolerance:	± 10%
Rating:	100% ED

\*\* 12 VDC also available.  
Please consult our Technical Service.

Option selector

VM10\*\*\*\*\*AB\*13B

Tube size	Substitute
1/8" PIF	A
1/4" PIF	1
5/32" PIF	9
3 mm PIF	3
4 mm PIF	4
6 mm PIF	6
No PIF (for use with Pneumapole)	7

Valve function	Substitute
5/2	5
5/3 APB	6
2 x 3/2 NC and 5/3 COE	A
2 x 3/2 NO and 5/3 COP	B
2 x 3/2 NC and NO	C

Manual override	Substitute
Turn to lock manual override	2
Push only manual override	3

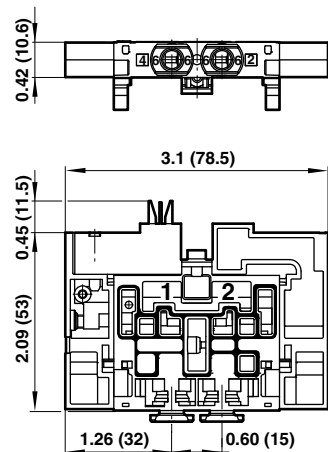
Actuation/pilot supply	Substitute
Solenoid/solenoid internal pilot	11
Solenoid/spring internal pilot	17
Solenoid/solenoid external pilot	22
Solenoid/spring external pilot	27

To order a complete valve island please use the configurator at; [vi.norgren.com](http://vi.norgren.com)

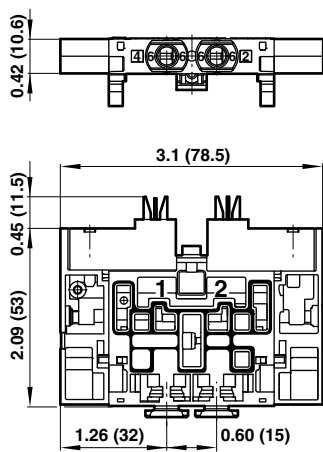
Note:  
5/3 COE please use 2 x 3/2 NC  
5/3 COP please use 2 x 3/2 NO  
NC = Normally Closed  
NO = Normally Open  
APB = All Ports Blocked  
COE = Center Open Exhaust  
COP = Center Open Pressure  
Use our configurator at [www.norgren.com/usa](http://www.norgren.com/usa)

**Dimensions**

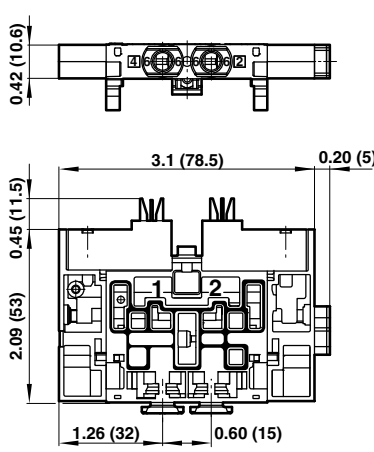
**Single solenoid**



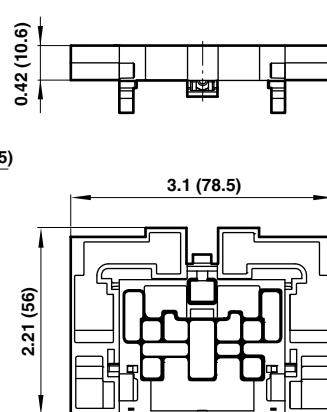
**Double solenoid**



**5/3 APB, double solenoid**

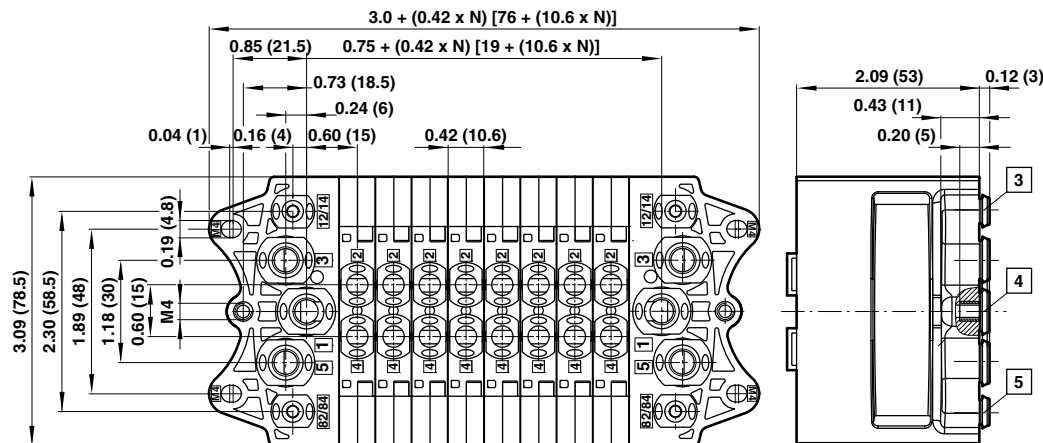


**Blanking plates**



Valve blanking station	Short code	Port blanking station	Short code	Weight oz (kg)
VM106517AQ0300	B000	VM106517AQ0301, port 1 blanked	B100	1 (0.028)
		VM106517AQ0302, ports 3 & 5 blanked	B300	1 (0.028)
		VM106517AQ0303, ports 1, 3 & 5 blanked	B500	1 (0.028)

## Port connections



Dimensions in Inches (mm)

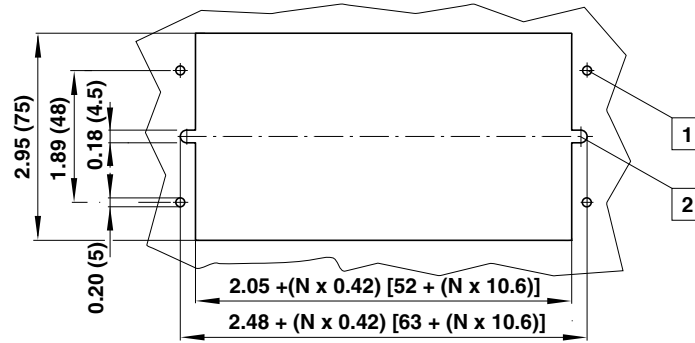
## End plate kits

Description	Ports 1, 3 & 5 Tube outside Ø	Ports 12/14 & 82/84 Tube outside Ø	Ports 2 & 4 Tube outside Ø	Short code	Weight oz (kg)	Model
End plate kit - feed both ends	3/8"	1/4"	1/4"	FE00	6 (0.170)	VM106517AQ0202
End plate kit - feed both ends	5/16"	5/32"	5/32"	FD00	6 (0.170)	VM106517AQ020X
End plate kit - feed left, right blocked	3/8"	1/4"	1/4"	LE00	6 (0.170)	VM106517AQ0212
End plate kit - feed left, right blocked	5/16"	5/32"	5/32"	LD00	6 (0.170)	VM106517AQ021X
End plate kit - feed right, left blocked	3/8"	1/4"	1/4"	RE00	6 (0.170)	VM106517AQ0222
End plate kit - feed right, left blocked	5/16"	5/32"	5/32"	RD00	6 (0.170)	VM106517AQ022X
End plate kit - feed both ends	10	6	6	F100	6 (0.170)	VM106517AQ010Y
End plate kit - feed both ends	8	4	4	F800	6 (0.170)	VM106517AQ0108
End plate kit - feed left, right blocked	10	6	6	L100	6 (0.170)	VM106517AQ011Y
End plate kit - feed left, right blocked	8	4	4	L800	6 (0.170)	VM106517AQ0118
End plate kit - feed right, left blocked	10	6	6	R100	6 (0.170)	VM106517AQ012Y
End plate kit - feed right, left blocked	8	4	4	R800	6 (0.170)	VM106517AQ0128
End plate kit - feed both ends - Pneumapole	no PIF*	no PIF*	no PIF*	FP00	6 (0.170)	VM106517AQ0131
End plate kit - feed left, right blocked - Pneumapole	no PIF*	no PIF*	no PIF*	RP00	6 (0.170)	VM106517AQ0132
End plate kit - feed right, left blocked - Pneumapole	no PIF*	no PIF*	no PIF*	LP00	6 (0.170)	VM106517AQ0133

\* No push in fitting for use with pneumapole sub-base

Available valve port sizes – Ø 1/8", 5/32", 1/4", 3 mm, 4 mm and 6 mm;

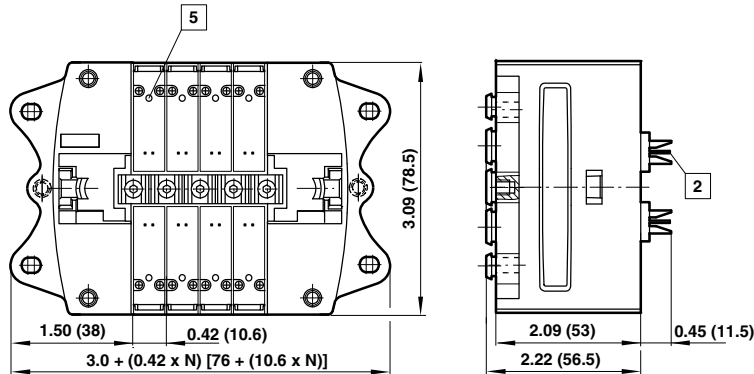
Panel cut-out detail



- 1 For mounting island from outside of panel using M4 threads in valve island end plates
- 2 For using through-mounting holes in valve island end plates

Modular assembly

Individually wired IP40



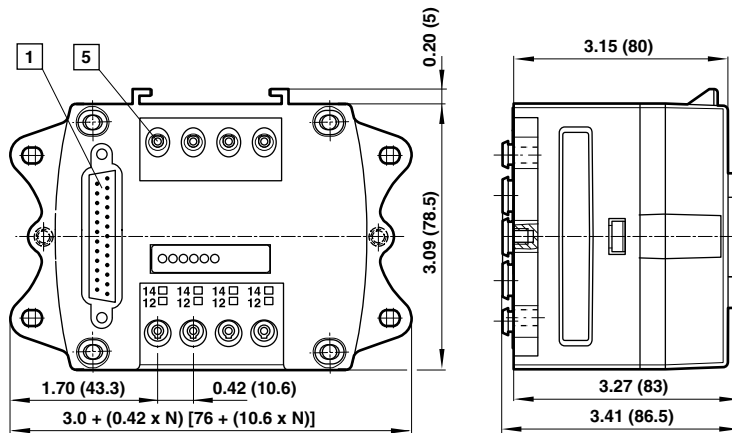
- 2 2 pin connector interface
  - 5 Manual override
- N = number of stations

Individually wired	No. of stations	Max. no. of coils	Weight oz (kg)*
2 pin connector	2 ... 20	40	6 (0.170)

\* oz (kg) + valves weight

Multipole IP65

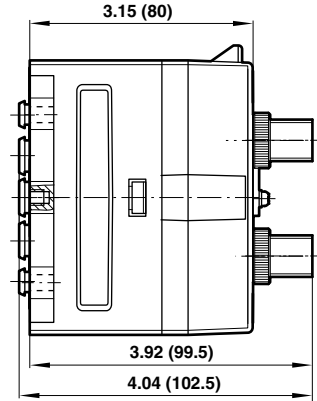
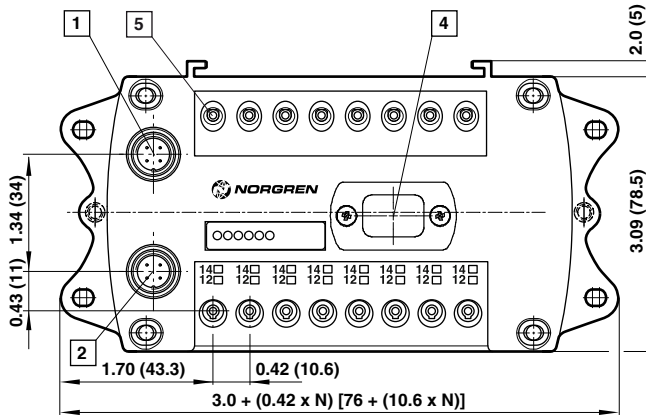
Dimensions in Inches (mm)



- 1 25 Pin connector for 4, 6, 8, 10 & 12 station
  - 44 Pin connector for 12 & 16 station
  - 5 Manual override, actuate with screw driver
- N = number of stations

Multipole	No. of stations	-ve common Model	Short code	+ve common Model	Short code	Max. no. of coils	Weight oz (kg)
25 Pin connector	4	VM106517AQ0404	2N04	VM106517RQ0404	2P04	8	4.09 (0.116)
25 Pin connector	6	VM106517AQ0406	2N06			12	4.30 (0.122)
25 Pin connector	8	VM106517AQ0408	2N08	VM106517RQ0408	2P08	16	4.51 (0.128)
25 Pin connector	10	VM106517AQ0410	2N10			20	4.72 (0.134)
25 Pin connector	12	VM106517AQ0412	2N12	VM106517RQ0412	2P12	24	4.93 (0.140)
44 Pin connector	12	VM106517AQ0512	4N12			24	5.07 (0.144)
44 Pin connector	16	VM106517AQ0516	4N16	VM106517RQ0516	4P16	32	5.64 (0.160)

Fieldbus connections (M12 connector types IP65)



DeviceNet  
CANopen

- 1 M12 power connector
  - 2 M12 protocol connector
  - 4 Rotary address switch
  - 5 Manual override, actuate with screw driver
- N = number of stations

Standard fieldbus	No. of stations	Max. no. of coils	Short code	Weight oz (kg)	Model
DeviceNet	08	16	DR08	4.9 (0.138)	VM10DNFNB00082
DeviceNet	10	20	DR10	5.1 (0.144)	VM10DNFNB00102
DeviceNet	12	24	DR12	5.3 (0.150)	VM10DNFNB00122
DeviceNet	16	32	DR16	6 (0.170)	VM10DNFNB00162
CANopen	08	16	CR08	4.9 (0.138)	VM10CAFNB00082
CANopen	10	20	CR10	5.1 (0.144)	VM10CAFNB00102
CANopen	12	24	CR12	5.3 (0.150)	VM10CAFNB00122
CANopen	16	32	CR16	6 (0.170)	VM10CAFNB00162

Connector details

Power connection, male

	Pin no.	Function	Tolerance	Max. current
	1	24 VB Logic circuit supply	±30%	300 mA
	2	24 VA Valves	±10%	1.5 A
	3	0 V	-	1.53 A
	4	Earth	-	-

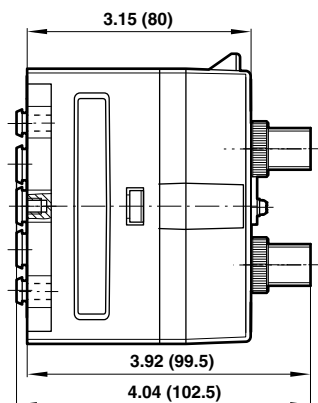
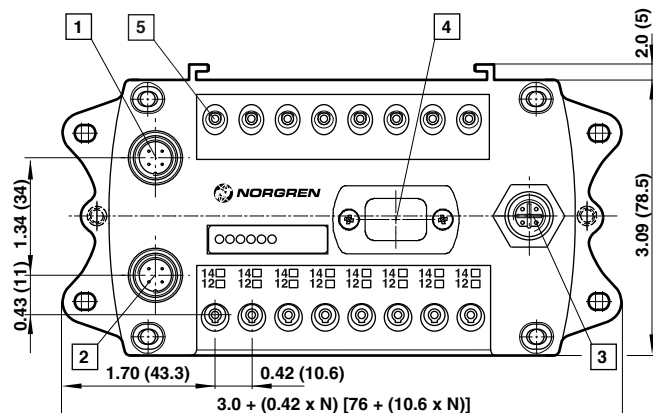
Viewed from above

DeviceNet & CANopen

	Pin no.	Function
	1	Drain
	2	V+
	3	V-
	4	CAN_H
	5	CAN_L2

Dimensions in Inches (mm)

Fieldbus connections (M12 connector types IP65)



- 1 M12 power connector
  - 2 M12 protocol connector (male)
  - 3 M12 protocol connector (female)
  - 4 Rotary address switch
  - 5 Manual override, actuate with screw driver
- N = number of stations

Standard fieldbus	No. of stations	Max. no. of coils	Short code	Weight oz (kg)	Model
Profibus-DP	08	16	PS08	4.9 (0.138)	VM10DPFNB00082
Profibus-DP	10	20	PS10	5.1 (0.144)	VM10DPFNB00102
Profibus-DP	12	24	PS12	5.3 (0.150)	VM10DPFNB00122
Profibus-DP	16	32	PS16	6 (0.170)	VM10DPFNB00162

Connector details

Power connection, male

	Pin no.	Function	Tolerance	Max. current
	1	24 VB Logic circuit supply	±30%	300 mA
	2	24 VA Valves	±10%	1.5 A
	3	0 V	-	1.53 A
	4	Earth	-	-

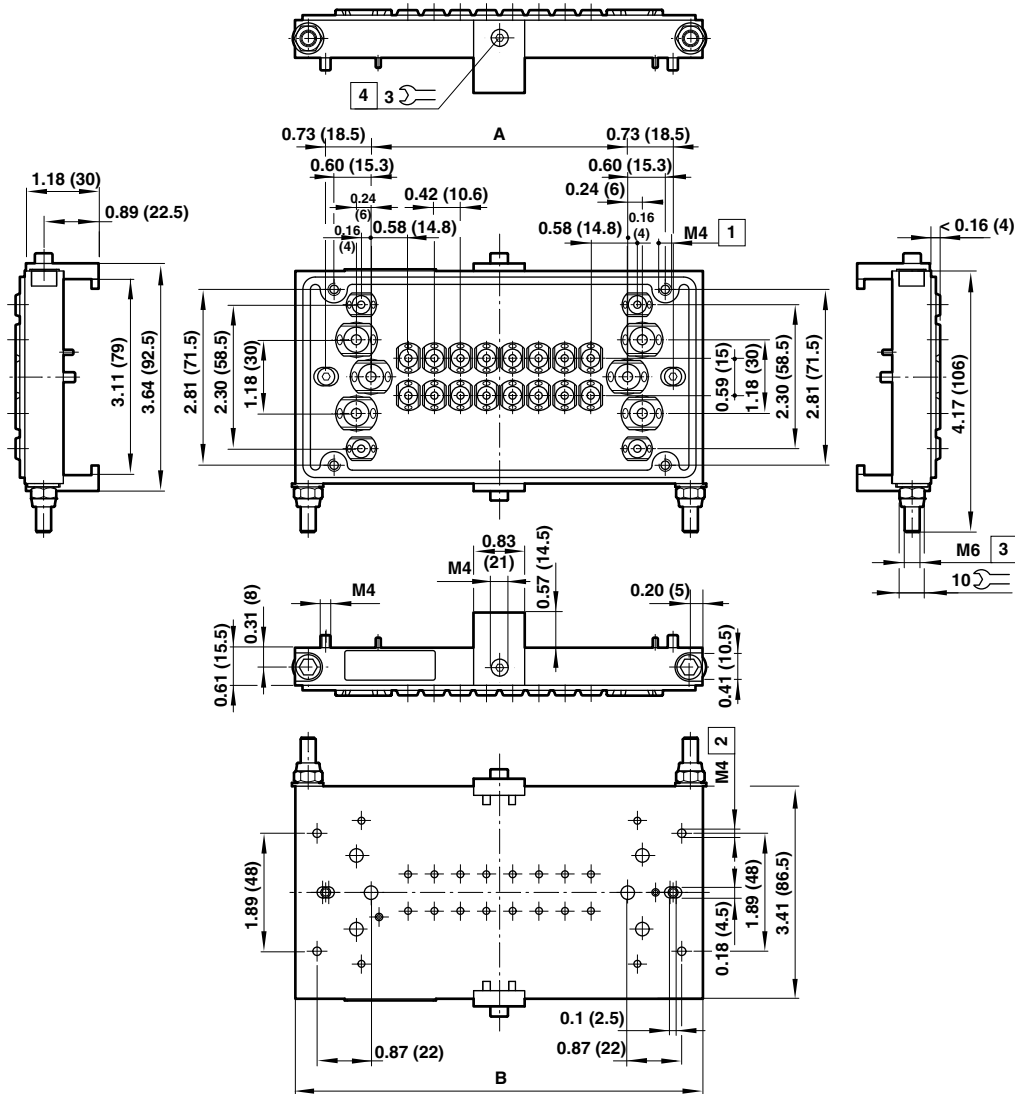
Viewed from above

Profibus-DP

Male Communication in	Female Communication out	Pin no.	Function
		1	5 VI Opto isolator
		2	A-line (green)
		3	0 VI Opto isolated
		4	B-line (red)
		5	Shield

Dimensions in Inches (mm)



**Pneumapole sub-base – bottom ported**


Dimensions in Inches (mm)

### Pneumapole sub-base – bottom ported

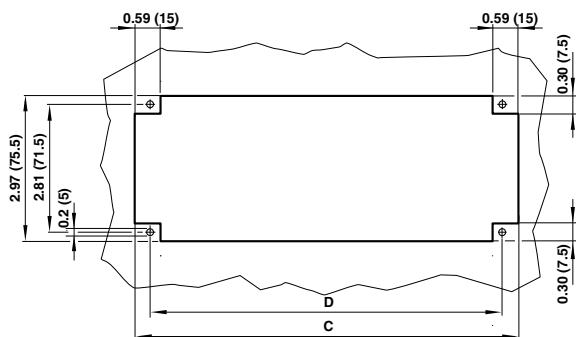
Description	Ports 1, 3 & 5	Ports 12/14 & 82/84	Ports 2 & 4	Short code	Model
4 station Pneumapole	3/8	1/4	1/4	CB04	VM106517AQ1604
6 station Pneumapole	3/8	1/4	1/4	CB06	VM106517AQ1606
8 station Pneumapole	3/8	1/4	1/4	CB08	VM106517AQ1608
10 station Pneumapole	3/8	1/4	1/4	CB10	VM106517AQ1610
12 station Pneumapole	3/8	1/4	1/4	CB12	VM106517AQ1612
16 station Pneumapole	3/8	1/4	1/4	CB16	VM106517AQ1616
4 station Pneumapole	10 mm	6 mm	6 mm	6B04	VM106517AQ6604
6 station Pneumapole	10 mm	6 mm	6 mm	6B06	VM106517AQ6606
8 station Pneumapole	10 mm	6 mm	6 mm	6B08	VM106517AQ6608
10 station Pneumapole	10 mm	6 mm	6 mm	6B10	VM106517AQ6610
12 station Pneumapole	10 mm	6 mm	6 mm	6B12	VM106517AQ6612
16 station Pneumapole	10 mm	6 mm	6 mm	6B16	VM106517AQ6616

Note: Ports 82/84 (solenoid pilot exhausts) should not be plugged. A filter or silencer can be fitted or the air can be piped away with tubing.

- 1 x 0.3" (8 mm) deep
- 2 x 0.47" (12 mm) deep
- 3 Side mounting option.  
Center clamp to be removed if utilised.
- 4 x 0.43 (11 mm) deep (12 & 16 station version only)

No. of stations	A	B
4	2.42 (61.5)	4.86 (123.5)
6	3.25 (82.5)	5.69 (144.5)
8	4.09 (104)	6.52 (165.5)
10	4.92 (125)	7.34 (186.5)
12	5.77 (146.5)	8.17 (207.5)
16	7.44 (189)	9.82 (249.5)

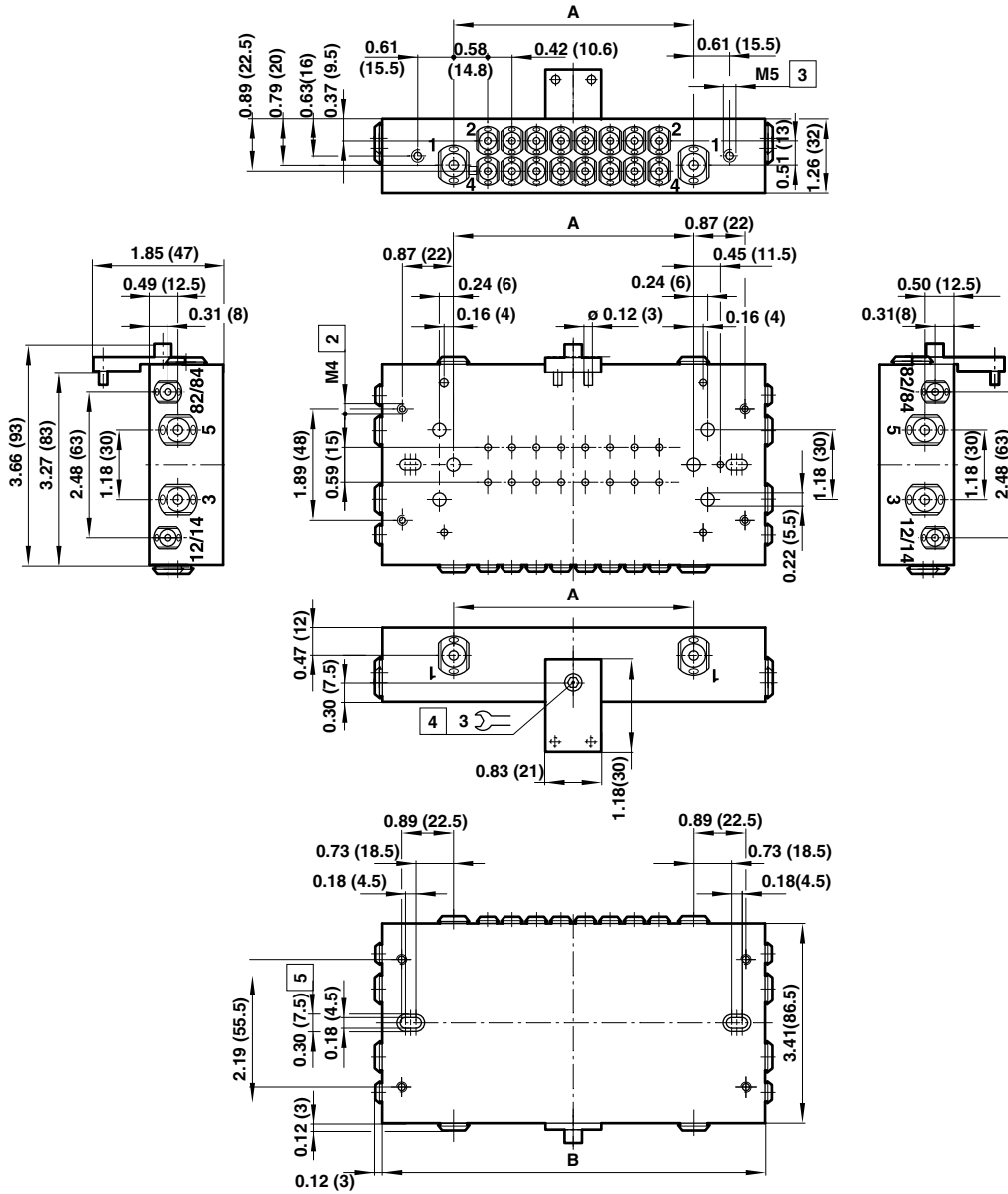
### Panel cut-out detail



No. of stations	C	D
4	4.37 (111)	3.62 (92)
6	5.20 (132)	4.47 (113.5)
8	6.02 (153)	5.30 (134.5)
10	6.85 (174)	6.12 (155.5)
12	7.68 (195)	6.97 (177)
16	9.33 (237)	8.64 (219.5)

Dimensions in Inches (mm)

Pneumapole sub-base – side ported



Dimensions in Inches (mm)

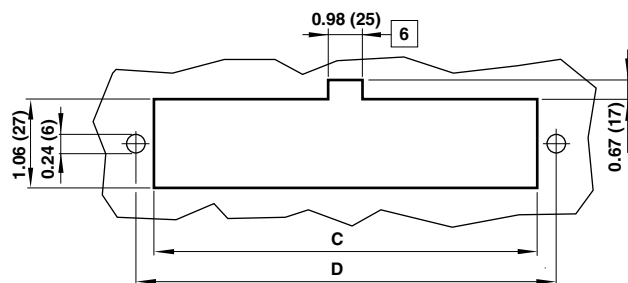
Description	Port 1	Ports 3 & 5	Ports 12/14 & 82/84	Ports 2 & 4	Short code	Model
4 station Pneumapole	3/8"	3/8"	1/4"	1/4"	CS04	VM106517AQ1S04
6 station Pneumapole	3/8"	3/8"	1/4"	1/4"	CS06	VM106517AQ1S06
8 station Pneumapole	3/8"	3/8"	1/4"	1/4"	CS08	VM106517AQ1S08
10 station Pneumapole	3/8"	3/8"	1/4"	1/4"	CS10	VM106517AQ1S10
12 station Pneumapole	3/8"	3/8"	1/4"	1/4"	CS12	VM106517AQ1S12
16 station Pneumapole	3/8"	3/8"	1/4"	1/4"	CS16	VM106517AQ1S16
4 station Pneumapole	10 mm	8 mm	6 mm	6 mm	6S04	VM106517AQ6S04
6 station Pneumapole	10 mm	8 mm	6 mm	6 mm	6S06	VM106517AQ6S06
8 station Pneumapole	10 mm	8 mm	6 mm	6 mm	6S08	VM106517AQ6S08
10 station Pneumapole	10 mm	8 mm	6 mm	6 mm	6S10	VM106517AQ6S10
12 station Pneumapole	10 mm	8 mm	6 mm	6 mm	6S12	VM106517AQ6S12
16 station pneumapole	10 mm	8 mm	6 mm	6 mm	6S16	VM106517AQ6S16

Note: Ports 82/84 (solenoid pilot exhausts) should not be plugged. A filter or silencer can be fitted or the air can be piped away with tubing.

- 1 x 0.3" (8 mm) deep
- 2 x 0.3" (8 mm) deep
- 3 x 0.39" (10 mm) deep
- 4 x 0.43" (11 mm deep) (12 & 16 station version only)
- 5 x 0.18 (4.5 mm) deep

No. of stations	A	B
4	2.42 (61.5)	4.86 (123.5)
6	3.25 (82.5)	5.69 (144.5)
8	4.09 (104)	6.52 (165.5)
10	4.92 (125)	7.34 (186.5)
12	5.77 (146.5)	8.17 (207.5)
16	7.44 (189)	9.82 (249.5)

Panel cut-out detail



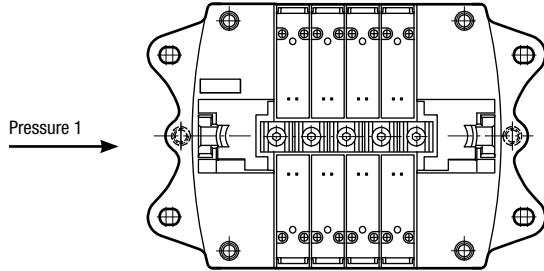
No. of stations	C	D
4	3.15 (80)	3.64 (92.5)
6	3.98 (101)	4.47 (113.5)
8	4.80 (122)	5.31 (135)
10	5.63 (143)	6.14 (156)
12	6.46 (164)	7.0 (177.5)
16	8.11 (206)	8.66 (220)

- 6 Additional cut-out required when rear mounting  
 12 & 16 station versions

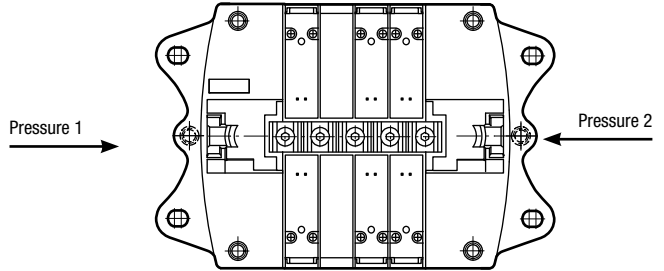
Dimensions in Inches (mm)

Multi-pressure options

Single pressure

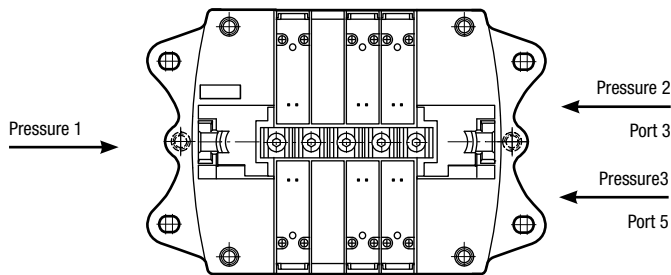


Two pressure



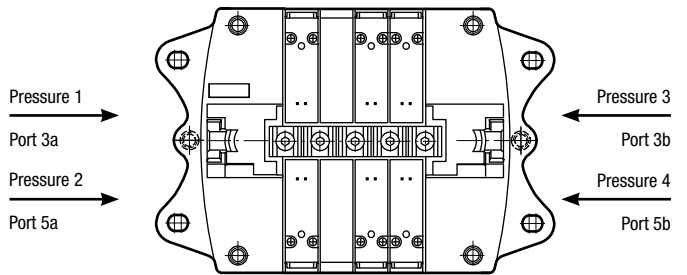
Blanking slice  
gallery 1  
VM106517AQ0301

Three pressure



Blanking slice  
galleries 1, 3 & 5  
VM106517AQ0303

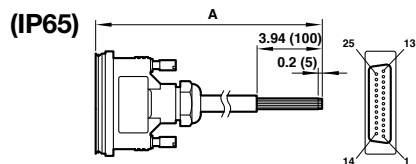
Four pressure



Blanking slice  
galleries 3 & 5  
VM106517AQ0302

3 & 4 Pressure islands are achieved by using externally piloted 2x3/2 valves and reverse porting via ports 3 & 5, Please note that when 2x3/2 valves are reverse ported the functions are also reversed i.e. N/C becomes N/O and N/O becomes N/C

**D sub-connector 25 pin**



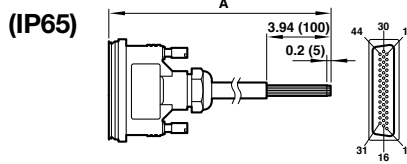
A	Model
1 m	V11569-E01
3 m	V11569-E03
5 m	V11569-E05

Pin no.	Wire colour	Socket	Pilot	Station
1	White	Solenoid 1-a	14	1
2	Brown	Solenoid 2-a	14	2
3	Green	Solenoid 3-a	14	3
4	Yellow	Solenoid 4-a	14	4
5	Grey	Solenoid 5-a	14	5
6	Pink	Solenoid 6-a	14	6
7	Blue	Solenoid 7-a	14	7
8	Red	Solenoid 8-a	14	8
9	Black	Solenoid 9-a	14	9
10	Violet	Solenoid 10-a	14	10
11	Grey/Pink	Solenoid 11-a	14	11
12	Red/Blue	Solenoid 12-a	14	12
13	White/Green	Common-Ve	-	-
14	Brown/Green	Solenoid 1-b	12	1
15	White/Yellow	Solenoid 2-b	12	2
16	Yellow/Brown	Solenoid 3-b	12	3
17	White/Grey	Solenoid 4-b	12	4
18	Grey/Brown	Solenoid 5-b	12	5
19	White/Pink	Solenoid 6-b	12	6
20	Pink/Brown	Solenoid 7-b	12	7
21	White/Blue	Solenoid 8-b	12	8
22	Brown/Blue	Solenoid 9-b	12	9
23	White/Red	Solenoid 10-b	12	10
24	Brown/Red	Solenoid 11-b	12	11
25	White/Black	Solenoid 12-b	12	12

Note: Conforms to DIN 47100

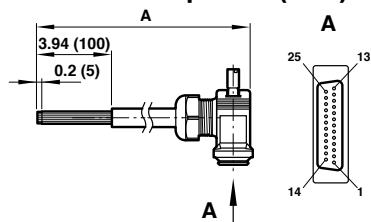
**D Sub-connector 44 pin**

Dimensions in Inches (mm)



A	Model
1 m	V11570-E01
3 m	V11570-E03
5 m	V11570-E05

Pin no.	Wire colour	Socket	Pilot	Station
1	White	Solenoid 1-a	14	1
2	Brown	Solenoid 2-a	14	2
3	Green	Solenoid 3-a	14	3
4	Yellow	Solenoid 4-a	14	4
5	Grey	Solenoid 5-a	14	5
6	Pink	Solenoid 6-a	14	6
7	Blue	Solenoid 7-a	14	7
8	Red	Solenoid 8-a	14	8
9	Black	Solenoid 9-a	14	9
10	Violet	Solenoid 10-a	14	10
11	Grey/Pink	Solenoid 11-a	14	11
12	Red/Blue	Solenoid 12-a	14	12
13	White/Green	Solenoid 13-a	14	13
14	Brown/Green	Solenoid 14-a	14	14
15	White/Yellow	Solenoid 15-a	14	15
16	Yellow/Brown	Solenoid 1-b	12	1
17	White/Grey	Solenoid 2-b	12	2
18	Grey/Brown	Solenoid 3-b	12	3
19	White/Pink	Solenoid 4-b	12	4
20	Pink/Brown	Solenoid 5-b	12	5
21	White/Blue	Solenoid 6-b	12	6
22	Brown/Blue	Solenoid 7-b	12	7
23	White/Red	Solenoid 8-b	12	8
24	Brown/Red	Solenoid 9-b	12	9
25	White/Black	Solenoid 10-b	12	10
26	Brown/Black	Solenoid 11-b	12	11
27	Grey/Green	Solenoid 12-b	12	12
28	Yellow/Grey	Solenoid 13-b	12	13
29	Pink/Green	Solenoid 14-b	12	14
30	Yellow/Pink	Solenoid 15-b	12	15
31	Green/Blue	Solenoid 16-a	14	16
32	Yellow/Blue	Solenoid 16-b	12	16
33	—	Not used	—	—
34	—	Not used	—	—
35	—	Not used	—	—
36	—	Not used	—	—
37	—	Not used	—	—
38	—	Not used	—	—
39	—	Not used	—	—
40	—	Not used	—	—
41	—	Not used	—	—
42	—	Not used	—	—
43	—	Not used	—	—
44	Red/Black Yellow/Black	Common -Ve	—	—

**D Sub-connector 25 pin 90° (IP65)**


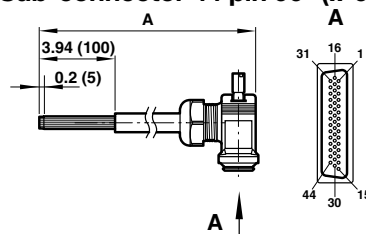
A	Model
1 m	V12086-E01
3 m	V12086-E03
5 m	V12086-E05

Pin no.	Wire colour	Socket	Pilot	Station
1	White	Solenoid 1-a	14	1
2	Brown	Solenoid 2-a	14	2
3	Green	Solenoid 3-a	14	3
4	Yellow	Solenoid 4-a	14	4
5	Grey	Solenoid 5-a	14	5
6	Pink	Solenoid 6-a	14	6
7	Blue	Solenoid 7-a	14	7
8	Red	Solenoid 8-a	14	8
9	Black	Solenoid 9-a	14	9
10	Violet	Solenoid 10-a	14	10
11	Grey/Pink	Solenoid 11-a	14	11
12	Red/Blue	Solenoid 12-a	14	12
13	White/Green	Common-Ve	-	-
14	Brown/Green	Solenoid 1-b	12	1
15	White/Yellow	Solenoid 2-b	12	2
16	Yellow/Brown	Solenoid 3-b	12	3
17	White/Grey	Solenoid 4-b	12	4
18	Grey/Brown	Solenoid 5-b	12	5
19	White/Pink	Solenoid 6-b	12	6
20	Pink/Brown	Solenoid 7-b	12	7
21	White/Blue	Solenoid 8-b	12	8
22	Brown/Blue	Solenoid 9-b	12	9
23	White/Red	Solenoid 10-b	12	10
24	Brown/Red	Solenoid 11-b	12	11
25	White/Black	Solenoid 12-b	12	12

Note: Conforms to DIN 47100e

**D Sub-connector 44 pin 90° (IP65)**

Dimensions in Inches (mm)

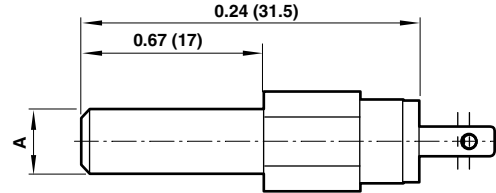


A	Model
1m	V12088-E01
3m	V12088-E03
5m	V12088-E05

Pin no.	Wire colour	Socket	Pilot	Station
1	White	Solenoid 1-a	14	1
2	Brown	Solenoid 2-a	14	2
3	Green	Solenoid 3-a	14	3
4	Yellow	Solenoid 4-a	14	4
5	Grey	Solenoid 5-a	14	5
6	Pink	Solenoid 6-a	14	6
7	Blue	Solenoid 7-a	14	7
8	Red	Solenoid 8-a	14	8
9	Black	Solenoid 9-a	14	9
10	Violet	Solenoid 10-a	14	10
11	Grey/Pink	Solenoid 11-a	14	11
12	Red/Blue	Solenoid 12-a	14	12
13	White/Green	Solenoid 13-a	14	13
14	Brown/Green	Solenoid 14-a	14	14
15	White/Yellow	Solenoid 15-a	14	15
16	Yellow/Brown	Solenoid 1-b	12	1
17	White/Grey	Solenoid 2-b	12	2
18	Grey/Brown	Solenoid 3-b	12	3
19	White/Pink	Solenoid 4-b	12	4
20	Pink/Brown	Solenoid 5-b	12	5
21	White/Blue	Solenoid 6-b	12	6
22	Brown/Blue	Solenoid 7-b	12	7
23	White/Red	Solenoid 8-b	12	8
24	Brown/Red	Solenoid 9-b	12	9
25	White/Black	Solenoid 10-b	12	10
26	Brown/Black	Solenoid 11-b	12	11
27	Grey/Green	Solenoid 12-b	12	12
28	Yellow/Grey	Solenoid 13-b	12	13
29	Pink/Green	Solenoid 14-b	12	14
30	Yellow/Pink	Solenoid 15-b	12	15
31	Green/Blue	Solenoid 16-a	14	16
32	Yellow/Blue	Solenoid 16-b	12	16
33	-	Not used	-	-
34	-	Not used	-	-
35	-	Not used	-	-
36	-	Not used	-	-
37	-	Not used	-	-
38	-	Not used	-	-
39	-	Not used	-	-
40	-	Not used	-	-
41	-	Not used	-	-
42	-	Not used	-	-
43	-	Not used	-	-
44	Red/Black Yellow/Black	Common -Ve	-	-

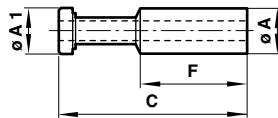
**Pressure switch for pilot ports 12 & 14**

Voltage:	24 VDC
Pressure range:	0 to 145 psi (0 to 10 bar)
Switching point rising pressure:	4 to 73 psi (3 to 5 bar)
Switch point falling pressure:	36 to 54 psi (2.5 to 3.7 bar)
AMP E-terminals:	2.8 x 0.8
Degee of protection:	IP00
Adjustment:	None



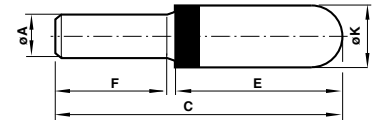
Symbol	Ø A	Short code	Weight oz (kg)	Model
	4 mm	7A	1.41 (0.004)	VM106517AQ0804
	6 mm	7B	1.41 (0.004)	VM106517AQ0806

**Plug C0004**



Ø A	Ø A1	C	F	Model
3/16	3/16	1.18	0.71	C20040300
1/4	1/4	1.34	0.79	C20040400
3/8	3/8	1.65	1.02	C20040600
1/2	1/2	1.81	1.10	C20040700
4 mm	4 mm	30 mm	17.5 mm	C00040400
6 mm	6 mm	34 mm	18.5 mm	C00040600
8 mm	8 mm	38 mm	21 mm	C00040800
10 mm	10 mm	42 mm	24 mm	C00041000

**Silencer**



Ø A	C	E	F	Ø K	Model
5/32"	1.30	0.67	0.59	0.26	T45Y0002
1/4"	1.77	0.98	0.67	0.49	T45Y0004
3/8"	2.26	1.22	0.91	0.61	T45Y0006
4 mm	32 mm	16 mm	14 mm	6.5 mm	T45P0004
6 mm	45 mm	24.5 mm	17 mm	12.5 mm	T45P0006
8 mm	43.5 mm	22 mm	19 mm	13.5 mm	T45P0008
10 mm	57.5 mm	31 mm	23 mm	15.5 mm	T45P0010

Dimensions in Inches (mm)

**Fieldbus accessories**

	Description	Connection	Cable length	Short code	Model
	Fieldbus power connector DeviceNet (4 pin, female) CANopen (4 pin, female) Profibus-DP (4 pin, female)	M12	Wireable	R1	V11588-E01
	DeviceNet (5 pin, female) CANopen (5 pin, female)	M12	Wireable	R2	V11589-E01
	Profibus-DP, reverse keyway (5 pin, female)	M12	Wireable	R3	V11590-E01
	Profibus-DP, reverse keyway (5 pin male)	M12	Wireable	R4	V11591-E01
	Profibus-DP connector (9 pin, male with terminating resistor)	D-Sub IP40	Wireable	R0	V11654-E01
	Profibus - DP terminating resistor	M12	-	R6	V11592-E01



**Accessories**

**Valve blanking station**



VM106517AQ0300

**Port blanking station**



VM106517AQ0301 (Port 1 blanked)

VM106517AQ0302 (Ports 3 & 5 blanked)

VM106517AQ0303 (Ports 1, 3 & 5 blanked)

**DIN Rail fixing kit**



V11900-C01, 8D

**DIN rail**



V10009-C00 (1 m)

**Label cover kit**



V12016-K36 (4 Station)

V12016-K37 (6 Station)

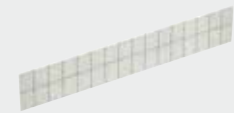
V12016-K38 (8 Station)

V12016-K39 (10 Station)

V12016-K40 (12 Station)

V12016-K41 (16 Station)

**Labels**



V12033-L02 (write and seal label)

V12034-L02 (paper label)

**Pressure switch for pilot ports 12 and 14**



Page 15

VM106517AQ0804 (4 mm)

VM106517AQ0806 (6 mm)

**Silencer**



Page 15

T45Y0002 5/32"

T45Y0004 1/4"

T45Y0006 3/8"

T45P0006 (6 mm)

T45P0008 (8 mm)

T45P0010 (10 mm)

T45P0012 (12 mm)

**Plug**



Page 15

C20040300 3/16"

C20040400 1/4"

C20040600 3/8"

C20040700 1/2"

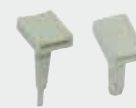
C00040600 (6 mm)

C00040800 (8 mm)

C00041000 (10 mm)

C00041200 (12 mm)

**Manual override kit Push only**



V11574-K30

**Rotate by hand, lockable**



V11574-K31

**D Sub-connector 25 pin, IP65**



Page 13

V11569-E01 (1 m) — L1

V11569-E03 (3 m) — L2

V11569-E05 (5 m) — L3

**D Sub-connector 44 pin, IP65**



Page 13

V11570-E01 (1 m) — M1

V11570-E03 (3 m) — M1

V11570-E05 (5 m) — M1

**D Sub-connector 25 pin 90°, IP65**



Page 14

V12086-E01 (1 m) — L4

V12086-E03 (3 m) — L5

V12086-E05 (5 m) — L6

**D Sub-connector 44 pin 90°, IP65**



Page 14

V12088-E01 (1 m) — M4

V12088-E03 (3 m) — M5

V12088-E05 (5 m) — M6

**2 Pin connector IP40**



V11556-E10 (1 m) — K2

V11556-E03 (0,3 m) — K1

**Replacement Gaskets**

**Internal Pilot gasket**

Black 11540-C95

**External Pilot Gasket**

Red 11540-C96

### Short codes for valve island specifications

Description	Manual override	Short code	Model
2 x 3/2 - 2 x NC - Internal feed valve 3 mm PIF	Turn & lock	NA3T	VM103A11AB213B
2 x 3/2 - 2 x NC - Internal feed valve 3 mm PIF	Push only	NA3U	VM103A11AB313B
2 x 3/2 - 2 x NC - Internal feed valve 4 mm PIF	Turn & lock	NA4T	VM104A11AB213B
2 x 3/2 - 2 x NC - Internal feed valve 4 mm PIF	Push only	NA4U	VM104A11AB313B
2 x 3/2 - 2 x NC - Internal feed valve 6 mm PIF	Turn & lock	NA6T	VM106A11AB213B
2 x 3/2 - 2 x NC - Internal feed valve 6 mm PIF	Push only	NA6U	VM106A11AB313B
2 x 3/2 - 2 x NC - Internal feed valve Pneumapole	Turn & lock	NAZT	VM107A11AB213B
2 x 3/2 - 2 x NC - Internal feed valve Pneumapole	Push only	NAZU	VM107A11AB313B
2 x 3/2 - 2 x NC - External feed valve 3 mm PIF	Turn & lock	ND3T	VM103A22AB213B
2 x 3/2 - 2 x NC - External feed valve 3 mm PIF	Push only	ND3U	VM103A22AB313B
2 x 3/2 - 2 x NC - External feed valve 4 mm PIF	Turn & lock	ND4T	VM104A22AB213B
2 x 3/2 - 2 x NC - External feed valve 4 mm PIF	Push only	ND4U	VM104A22AB313B
2 x 3/2 - 2 x NC - External feed valve 6 mm PIF	Turn & lock	ND6T	VM106A22AB213B
2 x 3/2 - 2 x NC - External feed valve 6 mm PIF	Push only	ND6U	VM106A22AB313B
2 x 3/2 - 2 x NC - External feed valve Pneumapole	Turn & lock	NDZT	VM107A22AB213B
2 x 3/2 - 2 x NC - External feed valve Pneumapole	Push only	NDZU	VM107A22AB313B
2 x 3/2 - 2 x NO - Internal feed valve 3 mm PIF	Turn & lock	NB3T	VM103B11AB213B
2 x 3/2 - 2 x NO - Internal feed valve 3 mm PIF	Push only	NB3U	VM103B11AB313B
2 x 3/2 - 2 x NO - Internal feed valve 4 mm PIF	Turn & lock	NB4T	VM104B11AB213B
2 x 3/2 - 2 x NO - Internal feed valve 4 mm PIF	Push only	NB4U	VM104B11AB313B
2 x 3/2 - 2 x NO - Internal feed valve 6 mm PIF	Turn & lock	NB6T	VM106B11AB213B
2 x 3/2 - 2 x NO - Internal feed valve 6 mm PIF	Push only	NB6U	VM106B11AB313B
2 x 3/2 - 2 x NO - Internal feed valve Pneumapole	Turn & lock	NBZT	VM107B11AB213B
2 x 3/2 - 2 x NO - Internal feed valve Pneumapole	Push only	NBZU	VM107B11AB313B
2 x 3/2 - 2 x NO - External feed valve 3 mm PIF	Turn & lock	NE3T	VM103B22AB213B
2 x 3/2 - 2 x NO - External feed valve 3 mm PIF	Push only	NE3U	VM103B22AB313B
2 x 3/2 - 2 x NO - External feed valve 4 mm PIF	Turn & lock	NE4T	VM104B22AB213B
2 x 3/2 - 2 x NO - External feed valve 4 mm PIF	Push only	NE4U	VM104B22AB313B
2 x 3/2 - 2 x NO - External feed valve 6 mm PIF	Turn & lock	NE6T	VM106B22AB213B
2 x 3/2 - 2 x NO - External feed valve 6 mm PIF	Push only	NE6U	VM106B22AB313B
2 x 3/2 - 2 x NO - External feed valve Pneumapole	Turn & lock	NEZT	VM107B22AB213B
2 x 3/2 - 2 x NO - External feed valve Pneumapole	Push only	NEZU	VM107B22AB313B
2 x 3/2 - 1 x NC + 1 x NO - Internal feed valve 3 mm PIF	Turn & lock	NC3T	VM103C11AB213B
2 x 3/2 - 1 x NC + 1 x NO - Internal feed valve 3 mm PIF	Push only	NC3U	VM103C11AB313B
2 x 3/2 - 1 x NC + 1 x NO - Internal feed valve 4 mm PIF	Turn & lock	NC4T	VM104C11AB213B
2 x 3/2 - 1 x NC + 1 x NO - Internal feed valve 4 mm PIF	Push only	NC4U	VM104C11AB313B
2 x 3/2 - 1 x NC + 1 x NO - Internal feed valve 6 mm PIF	Turn & lock	NC6T	VM106C11AB213B
2 x 3/2 - 1 x NC + 1 x NO - Internal feed valve 6 mm PIF	Push only	NC6U	VM106C11AB313B
2 x 3/2 - 1 x NC + 1 x NO - Internal feed valve Pneumapole	Turn & lock	NCZT	VM107C11AB213B
2 x 3/2 - 1 x NC + 1 x NO - Internal feed valve Pneumapole	Push only	NCZU	VM107C11AB313B
2 x 3/2 - 1 x NC + 1 x NO - External feed valve 3 mm PIF	Turn & lock	NF3T	VM103C22AB213B
2 x 3/2 - 1 x NC + 1 x NO - External feed valve 3 mm PIF	Push only	NF3U	VM103C22AB313B
2 x 3/2 - 1 x NC + 1 x NO - External feed valve 4 mm PIF	Turn & lock	NF4T	VM104C22AB213B
2 x 3/2 - 1 x NC + 1 x NO - External feed valve 4 mm PIF	Push only	NF4U	VM104C22AB313B
2 x 3/2 - 1 x NC + 1 x NO - External feed valve 6 mm PIF	Turn & lock	NF6T	VM106C22AB213B
2 x 3/2 - 1 x NC + 1 x NO - External feed valve 6 mm PIF	Push only	NF6U	VM106C22AB313B
2 x 3/2 - 1 x NC + 1 x NO - External feed valve Pneumapole	Turn & lock	NFZT	VM107C22AB213B
2 x 3/2 - 1 x NC + 1 x NO - External feed valve Pneumapole	Push only	NFZU	VM107C22AB313B

**Short codes for valve island specifications**

Description	Manual override	Short code	Model
5/2 Solenoid/spring - Internal feed valve 3mm PIF	Turn & lock	NG3T	VM103517AB213B
5/2 Solenoid/spring - Internal feed valve 3mm PIF	Push only	NG3U	VM103517AB313B
5/2 Solenoid/spring - Internal feed valve 4mm PIF	Turn & lock	NG4T	VM104517AB213B
5/2 Solenoid/spring - Internal feed valve 4mm PIF	Push only	NG4U	VM104517AB313B
5/2 Solenoid/spring - Internal feed valve 6mm PIF	Turn & lock	NG6T	VM106517AB213B
5/2 Solenoid/spring - Internal feed valve 6mm PIF	Push only	NG6U	VM106517AB313B
5/2 Solenoid/spring - Internal feed valve Pneumapole	Turn & lock	NGZT	VM107517AB213B
5/2 Solenoid/spring - Internal feed valve Pneumapole	Push only	NGZU	VM107517AB313B
5/2 Solenoid/spring - External feed valve 3 mm PIF	Turn & lock	NH3T	VM103527AB213B
5/2 Solenoid/spring - External feed valve 3 mm PIF	Push only	NH3U	VM103527AB313B
5/2 Solenoid/spring - External feed valve 4 mm PIF	Turn & lock	NH4T	VM104527AB213B
5/2 Solenoid/spring - External feed valve 4 mm PIF	Push only	NH4U	VM104527AB313B
5/2 Solenoid/spring - External feed valve 6 mm PIF	Turn & lock	NH6T	VM106527AB213B
5/2 Solenoid/spring - External feed valve 6 mm PIF	Push only	NH6U	VM106527AB313B
5/2 Solenoid/spring - External feed valve Pneumapole	Turn & lock	NHZT	VM107527AB213B
5/2 Solenoid/spring - External feed valve Pneumapole	Push only	NHZU	VM107527AB313B
5/2 Solenoid/solenoid - Internal feed valve 3 mm PIF	Turn & lock	NJ3T	VM103511AB213B
5/2 Solenoid/solenoid - Internal feed valve 3 mm PIF	Push only	NJ3U	VM103511AB313B
5/2 Solenoid/solenoid - Internal feed valve 4 mm PIF	Turn & lock	NJ4T	VM104511AB213B
5/2 Solenoid/solenoid - Internal feed valve 4 mm PIF	Push only	NJ4U	VM104511AB313B
5/2 Solenoid/solenoid - Internal feed valve 6 mm PIF	Turn & lock	NJ6T	VM106511AB213B
5/2 Solenoid/solenoid - Internal feed valve 6 mm PIF	Push only	NJ6U	VM106511AB313B
5/2 Solenoid/solenoid - Internal feed valve Pneumapole	Turn & lock	NJZT	VM107511AB213B
5/2 Solenoid/solenoid - Internal feed valve Pneumapole	Push only	NJZU	VM107511AB313B
5/2 Solenoid/solenoid - External feed valve 3 mm PIF	Turn & lock	NK3T	VM103522AB213B
5/2 Solenoid/solenoid - External feed valve 3 mm PIF	Push only	NK3U	VM103522AB313B
5/2 Solenoid/solenoid - External feed valve 4 mm PIF	Turn & lock	NK4T	VM104522AB213B
5/2 Solenoid/solenoid - External feed valve 4 mm PIF	Push only	NK4U	VM104522AB313B
5/2 Solenoid/solenoid - External feed valve 6 mm PIF	Turn & lock	NK6T	VM106522AB213B
5/2 Solenoid/solenoid - External feed valve 6 mm PIF	Push only	NK6U	VM106522AB313B
5/2 Solenoid/solenoid - External feed valve Pneumapole	Turn & lock	NKZT	VM107522AB213B
5/2 Solenoid/solenoid - External feed valve Pneumapole	Push only	NKZU	VM107522AB313B
5/3 APB Solenoid/solenoid - Internal feed valve 3 mm PIF	Turn & lock	NL3T	VM103611AB213B
5/3 APB Solenoid/solenoid - Internal feed valve 3 mm PIF	Push only	NL3U	VM103611AB313B
5/3 APB Solenoid/solenoid - Internal feed valve 4 mm PIF	Turn & lock	NL4T	VM104611AB213B
5/3 APB Solenoid/solenoid - Internal feed valve 4 mm PIF	Push only	NL4U	VM104611AB313B
5/3 APB Solenoid/solenoid - Internal feed valve 6 mm PIF	Turn & lock	NL6T	VM106611AB213B
5/3 APB Solenoid/solenoid - Internal feed valve 6 mm PIF	Push only	NL6U	VM106611AB313B
5/3 APB Solenoid/solenoid - Internal feed valve Pneumapole	Turn & lock	NLZT	VM107611AB213B
5/3 APB Solenoid/solenoid - Internal feed valve Pneumapole	Push only	NLZU	VM107611AB313B
5/3 APB Solenoid/solenoid - External feed valve 3 mm PIF	Turn & lock	NM3T	VM103622AB213B
5/3 APB Solenoid/solenoid - External feed valve 3 mm PIF	Push only	NM3U	VM103622AB313B
5/3 APB Solenoid/solenoid - External feed valve 4 mm PIF	Turn & lock	NM4T	VM104622AB213B
5/3 APB Solenoid/solenoid - External feed valve 4 mm PIF	Push only	NM4U	VM104622AB313B
5/3 APB Solenoid/solenoid - External feed valve 6 mm PIF	Turn & lock	NM6T	VM106622AB213B
5/3 APB Solenoid/solenoid - External feed valve 6 mm PIF	Push only	NM6U	VM106622AB313B
5/3 APB Solenoid/solenoid - External feed valve Pneumapole	Turn & lock	NMZT	VM107622AB213B
5/3 APB Solenoid/solenoid - External feed valve Pneumapole	Push only	NMZU	VM107622AB313B