

Digital Pressure Gauge - Type SPG-DIGI / SPG-DIGI-USB (Data Logger)

A

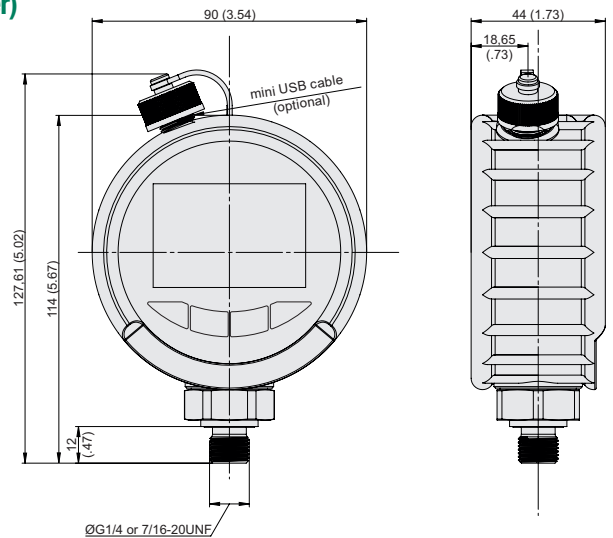


SPG-DIGI



SPG-DIGI-USB

With Data Logger and USB Interface



Product Description

The STAUFF SPG-DIGI digital pressure gauges are designed for digital measurement and display of pressure in hydraulic systems, especially for oils, lubricants and water. Current measured values as well as min and max values can be displayed with a precision of 0.5% of the full scale value.

The SPG-DIGI is optionally available in the USB version, equipped with an internal data memory. A measurement started on the measuring device is automatically stored in the internal data memory in the universal .csv file format. The measurement data can then be transferred to the PC using the supplied mini USB cable. The device shows up on the PC as a USB data storage medium, so that no additional software is required for transferring the data. This allows easy export of the data, e.g. into Microsoft Excel®.

The measurement data are stored in the internal memory with a resolution of up to 100 ms for short measurements and a pressure peak monitoring of 10 ms. Up to ten measurement series can be stored in the device. The maximum measurement duration for each measurement is 24 h.

The STAUFF SPG-DIGI digital pressure gauges are available individually or as part of a complete pressure test kit. They are very robust, reliable, easy to operate and bear a CE mark.

Features

- Bar graph display (drag pointer)
- Backlit display
- Zero point correction
- Battery status indicator
- Gauge ability to swivel 360°

Technical Data (for SPG-DIGI-USB)

- Internal memory: 10 measurement series
- Measurement data lengths: max. 24 h
- Memory interval: up to 100 ms (increases with duration of measurement)
- Pressure peak detection min/max: 10 ms
- Date type: Date/time/pressure value/ min. pressure/max. pressure
- Data format: CSV

A USB connecting cable is supplied as a standard.

Order Codes



① Series and Type

| | |
|----------------------------|---------------------|
| Digital Pressure Gauge | SPG-DIGI |
| Digital Pressure Gauge USB | SPG-DIGI-USB |

② Pressure Ranges

| | |
|-----------------------------------|--------------|
| -1 ... 5 bar / -14.5 ... 72 PSI | B0005 |
| -1 ... 16 bar / -14.5 ... 232 PSI | B0016 |
| 0 ... 100 bar / 0 ... 1450 PSI | B0100 |
| 0 ... 400 bar / 0 ... 5801 PSI | B0400 |
| 0 ... 600 bar / 0 ... 8702 PSI | B0600 |
| 0 ... 1000 bar / 0 ... 14504 PSI | B1000 |

③ Process Connection

| | |
|-------------|----------|
| G1/4 | B |
| 7/16-20 UNF | U |

④ Calibration

| | |
|---------------------------------|---------------|
| without calibration certificate | (none) |
| with calibration certificate | CAL |

Pressure Ranges

| Version | Pressure Range (bar/psi) | Maximum Pressure (bar/psi) | Burst Pressure (bar/psi) |
|---------|--------------------------|----------------------------|--------------------------|
| B0005 | -1 ... 5 | 30 | 50 |
| | -14.5 ... 72 | 435 | 725 |
| B0016 | -1 ... 16 | 32 | 160 |
| | -14.5 ... 232 | 464 | 2321 |
| B0100 | 0 ... 100 | 200 | 800 |
| | 0 ... 1450 | 2900 | 11603 |
| B0400 | 0 ... 400 | 800 | 1700 |
| | 0 ... 5801 | 11603 | 24656 |
| B0600 | 0 ... 600 | 1200 | 2400 |
| | 0 ... 8702 | 17404 | 31908 |
| B1000 | 0 ... 1000 | 1500 | 2500 |
| | 0 ... 14504 | 0 ... 21756 | 0 ... 36259 |

Technical Data

Materials

- Housing made of die-cast Zinc with TPE
- Wetted parts: Stainless Steel 1.4404, NBR (Buna-N®), ceramics
- Seals: NBR (Buna-N®) FKM (Viton®) or EPDM on request

Weight

- Max. weight: 360 g / .79 lbs

Display

- Text display 4 1/2 digits
- Size: 50 x 34 mm / 1.97 x 1.34 in
- Actual value display: 15 mm / .59 in
- MIN/MAX or FS* display: 8 mm / .31 in
- Units: bar, PSI, Mpa (not for 5 bar and 16 bar), kPa (not for 1000 bar), mbar (only for 5 bar and 16 bar)

- Pressure peak measurement with 10 ms sampling rate
- Illuminated measured value display

Accuracy

- ±0.25% FS* typ. / ±0.5% FS* max.
- Resolution: 4096 steps

Permissible Temperature ranges

- Ambient temp.: -10 °C ... +50 °C / +14 °F ... +122 °F
- Media temp.: -20 °C ... +80 °C / -4 °F ... +176 °F
- Storage temp.: -20 °C ... +60 °C / -4 °F ... +140 °F
- Relative humidity: < 85%
- Battery life: max. 600 hours (operation without illumination, 2 x 1.5 V DC AA (LR6-AA) alkaline)

Process Connections

- G1/4 or 7/16-20 UNF, Stainless Steel 1.4404
- Vibration: IEC 60068-2-6 / 10 ... 500 Hz / 5 g
- Shock: IEC 60068-2-27 / 11 ms / 25 g
- Load change (10°): 100

Protection Rating

- IP 65: Dust-tight and protected against water jets (SPG-DIGI-USB: IP65 only with cover installed)

* FS = Full Scale

