



- > **High flow regulator, 3/4" to 1-1/2" ports**
- > **Accurate and quick response to changes in flow demand and line pressure variations**
- > **Balanced valve minimizes effect of changes in inlet pressure on outlet pressure**
- > **Screw-on bowl reduces maintenance time**
- > **Protects air operated devices by removing liquid and solid contaminants**



Technical data

Fluid:

Compressed air, neutral gases
NOTE: Contact technical support for use with other media.

Maximum pressure:

250 psig (17 bar)

Operating temperature*

-30° to 175°F (-34° to 80°C)
*Air supply must be dry enough to avoid ice formation at temperatures below 35°F (2°C)

Air quality:

Within ISO 8573-1, Class 6 and Class 7 (particulates)

Nominal bowl size:

1 quart (1 liter)
1 pint (0.5 liter)

Manual drain connection:

1/8-27 and 1/8-28 female pipe thread.

Automatic drain connection:

1/8-27 and 1/8-28 male pipe thread
Flexible tube with 3/16" (5 mm) minimum I.D. can be connected to the automatic drain. Drain may fail to operate if the tube I.D. is less than 3/16" (5 mm). Avoid restrictions in the tube.

Automatic drain operating conditions (float operated):

Bowl pressure required to close drain: Greater than 5 psig (0.3 bar)

Bowl pressure required to open drain: Less than 3 psig (0.2 bar)

Minimum air flow required to close drain: 2 scfm (1 dm³/s)
Manual operation: Depress pin inside drain outlet to drain bowl.

Filter element, Quart Bowl:

Sintered bronze: 5 µm
Sintered bronze: 40 µm

Filter element, Pint Bowl:

5 µm Polypropylene
40 µm Polypropylene

Gauge ports:

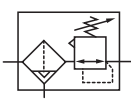
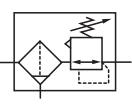
1/4" PTF with PTF main ports
R1/4" with ISO G, and BSPP main ports

Materials:

Body: aluminum
Bowl: aluminum
Bowl sight glass: Pyrex
Elastomers: chloroprene, nitrile
Bonnet: aluminum
Valve: aluminum

Ordering information

Models listed include PTF threads, knob adjustment, automatic drain, metal bowl with liquid level indicator, 40 µm element, relieving diaphragm, 5 to 125 psig (0.3 to 8.5 bar) outlet pressure adjustment range* without gauge.

ISO Symbols	Port Size	Model Numbers	Flow scfm (dm ³ /s)*	Weight lbs (kg)
 Auto Drain	3/4"	B17-697-A3LA	500 (235)	5.6 (2.50)
 Manual Drain Relieving	1"	B17-897-A3LA	650 (306)	5.5 (2.49)
	1-1/4"	B17-A97-A3LA	680 (320)	5.8 (2.63)
	1-1/2"	B17-B97-A3LA	680 (320)	5.6 (2.50)

*Outlet pressure can be adjusted to pressures in excess of, and less than, those specified. Do not use these units to control pressures outside of the specified ranges. Typical flow with 150 psig (10 bar) inlet pressure, 90 psig (6.3 bar) set pressure, and a 15 psig (1 bar) droop from set.

Alternative Models

Adjustment	
A17	T-handle
B17	Knob

Port Size	Substitute
3/4"	6
1"	8
1-1/4"	A
1-1/2"	B

Options (all remaining)	Substitute
Metal bowl with sight glass, gauge	96
Metal bowl with sight glass, no gauge	97

B17-★ ★ ★ - ★ ★ ★ ★

Threads	Substitute
PTF	A
ISO G	G
1-1/2" BSPP	C

Pressure Range	Substitute
5 to 125 psig (0.3 to 8.5 bar)	L
10 to 250 psig (0.7 to 17 bar) *	S

Element	Substitute
5 micron	1
40 micron	3

Drain	Substitute
Automatic, 1 quart (1 liter)	A
Manual, 1 quart (1 liter)	M
Automatic, 1 pint (0.5 liter)	F
MManual, 1 pint (0.5 liter)	B

Product Alternative: 68

* t-handle (A17) adjustment only

Accessories

Port size	Wall mounting bracket
3/4"	6212-50
1"	6212-50
1 1/4"	6212-51
1 1/2"	6212-51

Tamper evident cover and seal wire	Service Kit non-relieving	Concentric reducing adaptors for gauge ports	Replacement elements	Replacement elements Filter element short (Standard)	Replacement drain
4355-51	5579-01	R1/4-G1/8 150232818	5 µm: 5311-01 40 µm: 5311-03	5 µm: 5511-01 40 µm: 5576-03	Automatic: 3000-70 Manual (1/4 turn): 619-50

Gauge

Center back connection, white face

Pressure range					
bar *1	Mpa	psi	Ø	Thread size	Model
0 to 4	0 to 0.4	0 to 58	50 mm	R1/8 *2)	18-015-011
0 to 10	0 to 1	0 to 145	50 mm	R1/8 *2)	18-015-013
0 to 25	0 to 2.5	0 to 362	50 mm	R1/8 *2)	18-015-014

*1) Primary scale

*2) Concentric reducing adapter for gauge ports Model 150232818 (R1/4-G1/8)

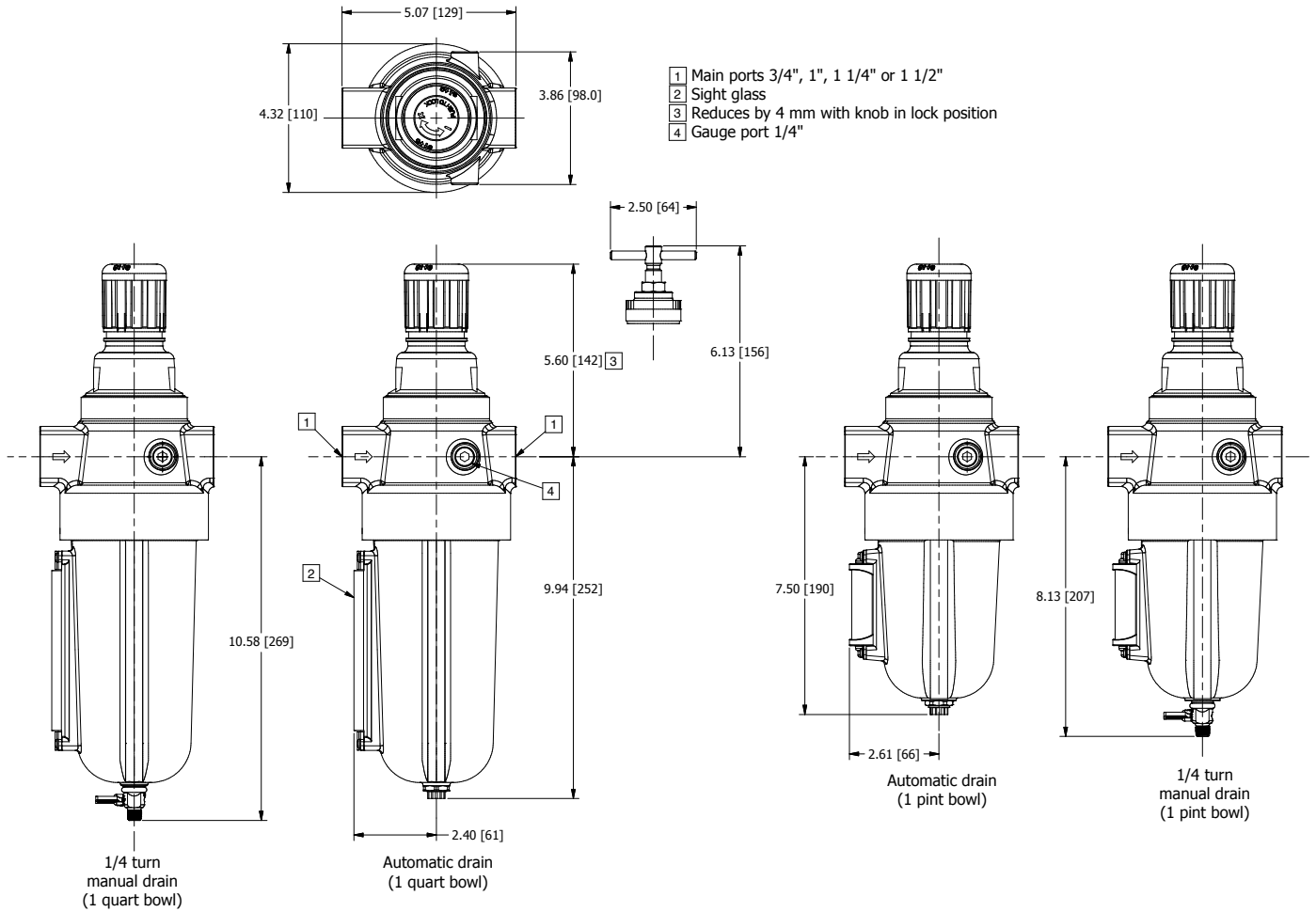
Gauge

Center back connection, black face

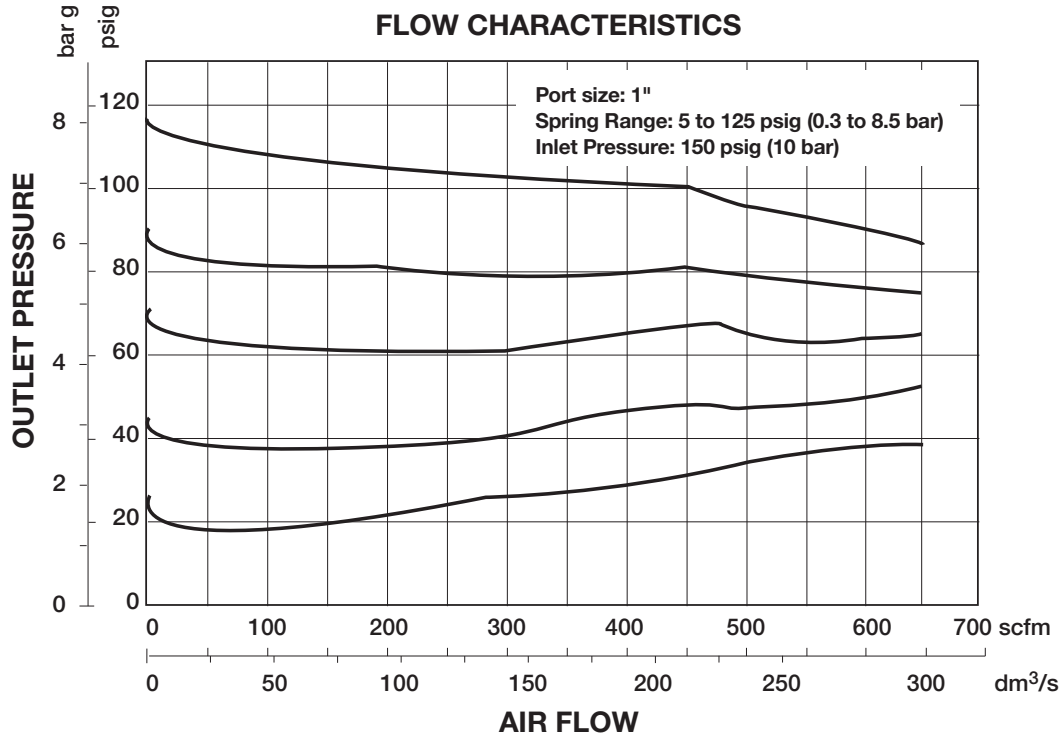
Pressure range					
psig *1	bar	Mpa	Ø	Thread size	Model
0 to 60	0 to 0.4	0 to 0.4	2" 50 mm	1/4 NPT	18-015-206
0 to 160	0 to 11	0 to 1.1	2" 50 mm	1/4 NPT	18-015-209
0 to 300	0 to 20	0 to 2.1	2" 50 mm	1/4 NPT	18-015-210

*1) Primary scale

Bowl Dimensions
Dimensions

 Dimensions in inches (mm)
 Projection/First angle


Typical Performance Characteristics



Warning

Improper selection, misuse, age or malfunction of components used in systems can cause failure in various modes. The system designer is warned to consider the failure modes of all component parts and to provide adequate safeguards to prevent personal injury or damage to equipment or property in the event of such failure modes. System designers and end users are cautioned to consult instruction sheets and specifications available from the factory. The system designer/end user is responsible for verifying that all requirements for the application are met.

Warranty

The products described herein are warranted subject to seller's Standard Terms and Condition of Sale, available at seller's website.

Proposition 65: These products may contain chemicals known to the state of California to cause cancer, or birth defects, or other reproductive harm.