



## Canister Filters/Disposable Type

Suction or Return Line Application  
Model Series-CP (N.P.T. & S.A.E. Ports)

CP-500, 750, 1000, 1010, 1030

### Specifications

- Working pressure 200 PSI (14 Bar)
- Operating Temperatures -22° F to +212° F (-32 C to +100 C)
- Flows to 25 GPM (96 LPM) Return
- Flows to 5 GPM (19 LPM) Suction
- 1/2", 3/4", 1" Ports
- Aluminum Casting — Die Cast
- Buna Seals
- For use with petroleum based, high water water glycols and water/oil emulsions fluids
- Element post threads 1"-12 UNF, 1 1/8"-16 UNF
- 2-3 (lbs.), .9-1.4 (kgs.) shipping weight

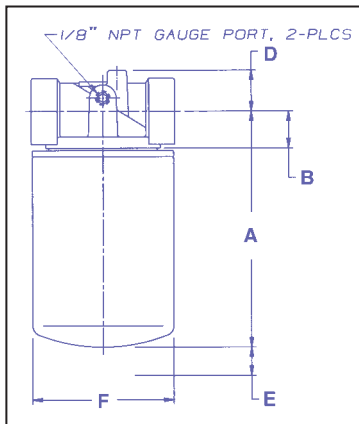
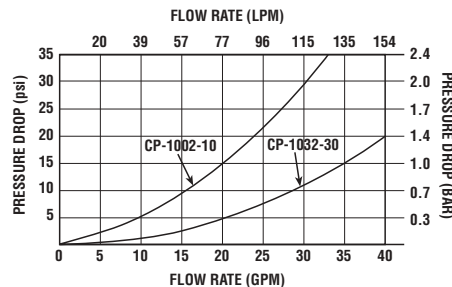
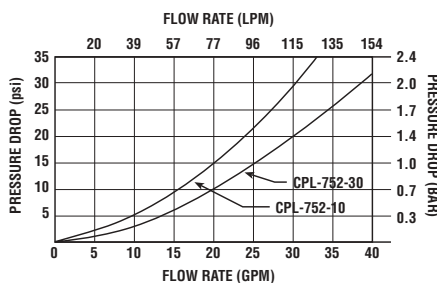
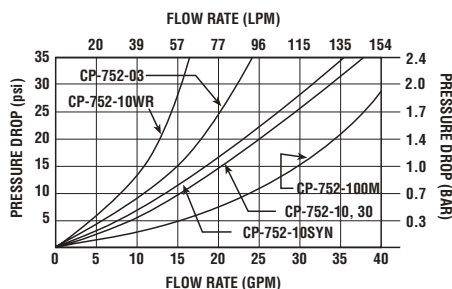
### Options

- NPT or SAE Ports (CP-500, 750, 1010)
- 3, 10, 25, micron cellulose, synthetic elements
- Water absorbing elements
- 100 wire mesh element
- Visual indicators
- 2.5, 5, 15, 25, blocked bypass options for suction or return



CP-500, CP-750,  
CP-1000/CP-1010 Series

CP-1030 Series

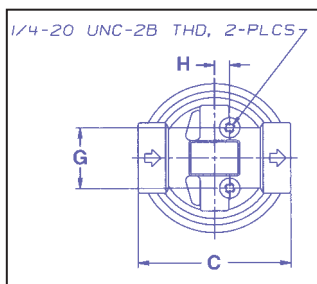


Model	PORT		A	B	C	D	E	F	G	H	I
CP-500	1/2"	IN	6.2	1	3.8	1.1	0.8	3.7	1.5	0.4	1/4-20 UNC-2B
		MM	157	25	97	28	20	94	38	10	
CPL-500	1/2"	IN	9.6	1	3.8	1.1	0.8	3.7	1.5	0.4	1/4-20 UNC-2B
		MM	244	25	97	28	20	94	38	10	
CP-750	3/4"	IN	6.2	1	3.8	1.1	0.8	3.7	1.5	0.4	1/4-20 UNC-2B
		MM	157	25	97	28	20	94	38	10	
CPL-750	3/4"	IN	9.6	1	3.8	1.1	0.8	3.7	1.5	0.4	1/4-20 UNC-2B
		MM	244	25	97	28	20	94	38	10	
CP-1010	1"	IN	6.2	1	3.8	1.1	0.8	3.7	1.5	0.4	1/4-20 UNC-2B
		MM	157	25	97	28	20	94	38	10	
CPL-1010	1"	IN	9.6	1	3.8	1.1	0.8	3.7	1.5	0.4	1/4-20 UNC-2B
		MM	244	25	97	28	20	94	38	10	
CP-1000	1"	IN	6.4	1	3.8	0.9	0.8	3.8	1.5	.4	3/8-16 UNC-2B
		MM	163	25	97	23	20	97	38	10	
CP-1030	1"	IN	11.4	1	3.8	0.9	0.8	4.3	1.5	.4	3/8-16 UNC-2B
		MM	290	25	97	23	20	109	38	10	

\*\*Head casting has two mounting posts with threads.

On CP-500, CP-750 & CP-1010:  
1/4"-20 thread 1 1/2" apart.

On CP-1000 & CP-1030:  
3/8"-16 thread 1 7/8" apart.



## Ordering Code

CP — L — 750 — 10 — P — MC-12

<b>SERIES</b>	<b>ELEMENT LENGTH</b>	<b>MODEL</b>	<b>MEDIA</b>	<b>MODEL</b>	<b>LENGTH</b>	<b>BYPASS</b>	<b>IND</b>
CP NPT	OMIT STD.	500	O3SYN	3 MICRON 500, 750, 1010	STD. EXT.	P (15 PSI)	MC-12
CPA SAE	L EXTD.	750	10	10 MICRON 500, 750, 1010, 1000, 1030	X X	R (25 PSI)	MC-20
		1010	10 SYN	10 MICRON 500, 750, 1010	X	V (5 PSI)	CP-2
		1000	10WR	10 MICRON 500, 750, 1010	X	H (2.5 PSI)	GLY-MC-20
		1030	30	25 MICRON 500, 750, 1010	X X	B (NO BYPASS)	135080
			100M	140 MICRON 500, 750, 1010	X		VAC-3-20
							OMIT
							T RETURN PORTS ONLY
							S SUCTION PORTS ONLY

## Replacement Elements

MODEL NUMBER	MEDIA TYPE	IN <sup>2</sup>	CM <sup>2</sup>	ELEMENT THREAD	RATING B(X)=2/20/75
CP-752-10	10 Cellulose	550	3532	1"-12 UNF	9u/20u/23u
CPL-752-10	10 Cellulose	720	4624	1"-12 UNF	18u/42u/55u
CP-752-30	25 Cellulose	550	3532	1"-12 UNF	8u/33u/53u
CPL-752-30	25 Cellulose	720	4624	1"-12 UNF	24u/35u/43u
CP-752-03	3 Synthetic	390	2505	1"-12 UNF	4u/8u/11u
CP-752-10SYN	10 Synthetic	370	2376	1"-12 UNF	9u/20u/23u
CP-752-10WR	10 Water Removal	550	3532	1"-12 UNF	8u/33u/53u
CP-752-100M	100 SS Wire Mesh	90	578	1"-12 UNF	140u
CP-1002-10	10 Cellulose	453	2922	1 1/8"-16 UNF	9u/20u/23u
CP-1032-10	10 Cellulose	1672	10787	1 1/8"-16 UNF	8u/33u/53u

## 2" Diameter Indicating Gauges



### MC-12

Return Line Indicating Gauge for 15 PSI Filter Applications  
2" Multicolor  
0-12 PSI Green  
12-15 PSI Yellow  
15-60 PSI Red (Service Filter)



### MC-20

Return Line Indicating Gauge for 25 PSI Filter Applications  
2" Multicolor  
0-20 PSI Green  
21-24 PSI Yellow  
25-60 PSI Red (Service Filter)



### CP-2

Compound Indicating Gauge (Suction or Return Line)  
10" to 30" Vacuum is a Red Danger Area.  
A Red "Change Filter" Sticker for the Pressure side is included with each gauge for application after the pressure factor is determined.



### GLY-MC-20

Glycerin Filled

Return Line Indicating Gauge for 25 PSI Filter Applications  
2" Multicolor  
0-20 PSI Green  
21-24 PSI Yellow  
25-60 PSI Red (Service Filter)



### 135080

Suction Line Indicating Gauge for 5 psi vacuum filter application  
2" Multicolor  
0-9" HG Green  
9-11" HG Yellow  
11-30" HG Red (Service Filter)



### VAC-3-20

Suction Line Indicating Gauge for 3 PSI vacuum filter applications  
2" Multicolor  
0-3" HG Green  
4-6" HG Yellow  
6-30" HG Red (Service Filter)