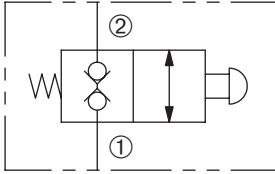


# DMR2-080

Normally Closed, Zero Leak  
Mechanically-Operated Valve

## SERIES 8



### DESCRIPTION

A mechanically-operated cartridge valve designed with positive shut off to be used in load-holding applications.

### OPERATION

The DMR2-080 blocks flow in both directions. When the plunger is actuated, the poppet opens, allowing flow in either direction.

The force required to depress the plunger is the summation of:

- Pressure psi at ① x .066
- Pressure psi at ② x .011
- 8-lb. spring constant

Note: Omit pressure at ① if no pressure exists.  
Omit pressure at ② if no pressure exists.



### FEATURES and BENEFITS

- Hardened poppet and seat for long life.
- Zero leak.
- Externally threaded for connecting a manual operator.
- Filter screen standard.
- Industry common cavity.

### SPECIFICATIONS

**Operating Pressure:** 3000 psi (207 bar)

**Flow:** See PRESSURE DROP VS. FLOW graph.

Nominal Flow 5 gpm (18.9 lpm)

**Internal Leakage:** 0 drops/min max. at 3000 psi (207 bar)

**Temperature:** -30°F to +250°F (-35°C to +120°C)

**Actuation Force:** Force (lbs.) =  $(P_{①} \times .066) + (P_{②} \times .011) + 8$

**Recommended Filtration:** Critical Application – ISO 17/15/13

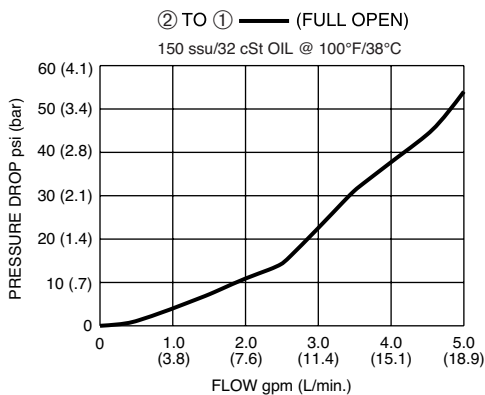
Non-Critical Application – ISO 20/18/14

**Fluids:** Mineral-based fluids. For other fluid compatibility, consult factory.

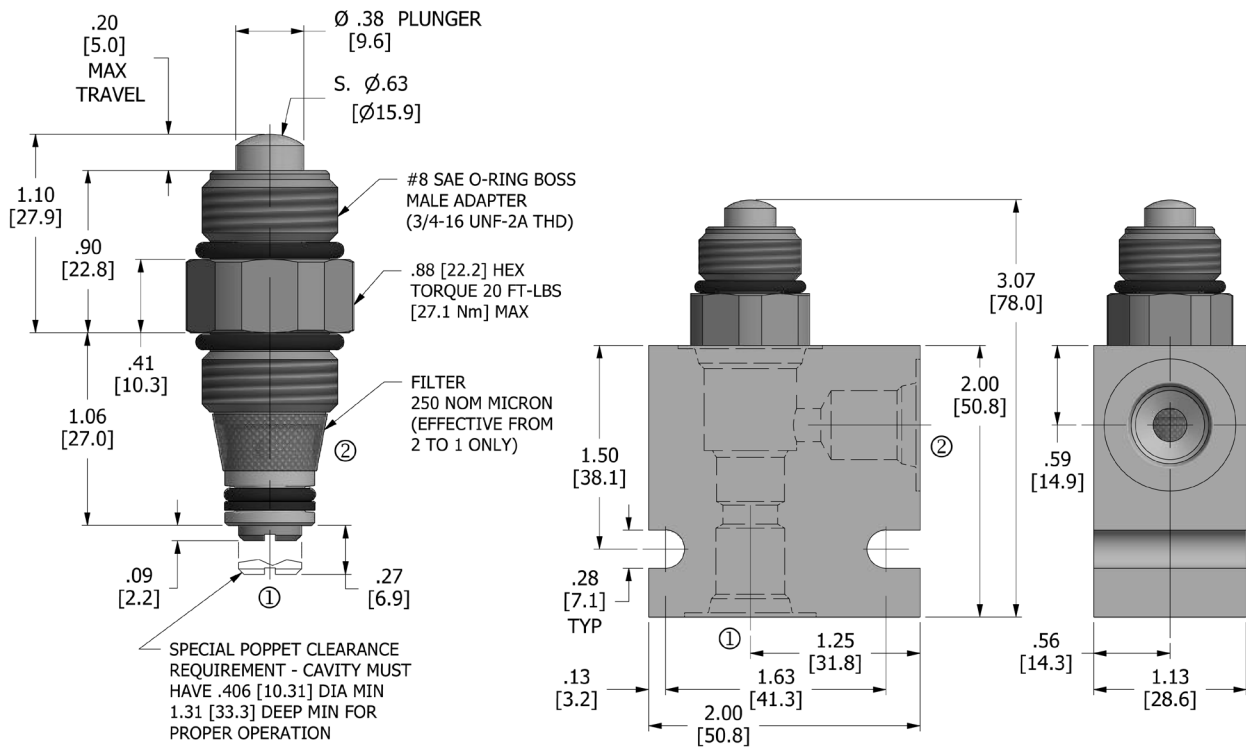
**Cavity/Cavity Tool:** 080-2, see page 11.08.2

**In-Line Body Material:** Anodized 6061T6 aluminum alloy rated at 3000 psi (207 bar).

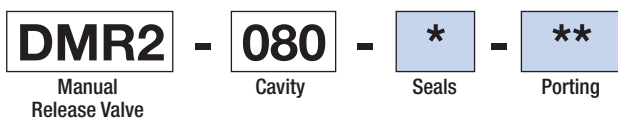
### PRESSURE DROP VS. FLOW



## DIMENSIONS Inches [Millimeters]



## HOW TO ORDER



| Seals    |        | Seal Kit      |
|----------|--------|---------------|
| <b>N</b> | Buna N | DSK-080-2-N-A |
| <b>V</b> | Viton  | DSK-080-2-V-A |

| Porting†  |                | In-Line Body w/o Cartridge |
|-----------|----------------|----------------------------|
| omit      | Cartridge only |                            |
| <b>2N</b> | 1/4 PTF        | B-080-2-2N                 |
| <b>3N</b> | 3/8 PTF        | B-080-2-3N                 |
| <b>4T</b> | SAE 4          | B-080-2-4T                 |
| <b>6T</b> | SAE 6          | B-080-2-6T                 |

† Other options available – consult factory

Valve and In-Line Body are supplied individually and need to be assembled. For a completed assembly consult the factory.

All variations may not be configurable. Minimum order quantities may be required on other models. Contact Deltrol Fluid Products for complete details.

SOLENOID  
CHECK  
MOTION CONTROL  
FLOW CONTROL  
RELIEF  
PRESSURE CONTROL  
SEQUENCE  
SHUTTLE  
DIRECTIONAL VALVES  
HAND PUMPS  
TECHNICAL DATA