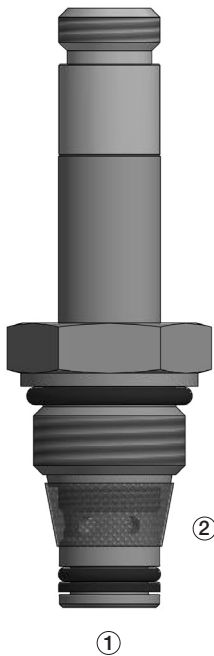
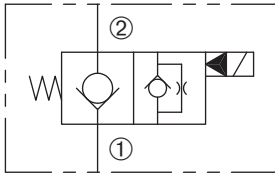


# DSV-080-2NCP

Normally-Closed, Two-Way, Two-Position,  
Pilot-Operated Solenoid Valve

## SERIES 8



### DESCRIPTION

A cartridge valve designed with positive shut off to be used in load holding applications.

### OPERATION

When de-energized, the DSV-080-2NCP acts as a check valve, allowing flow from ① to ②, while blocking flow from ② to ①. When energized, the poppet lifts to open the ② to ① flow path.

**Operation of Manual Override Option M:** To override, push button in, twist counterclockwise and release. In this position, the valve will remain open. To return to normal operation, push button in, twist clockwise and release. Override will be detented in this position. **Option MP, MF, MM:** To override, pull spring-loaded knob/adaptor on top of valve. Release to return to normal operation.

### FEATURES and BENEFITS

- 4000 psi (276 bar) rating.
- Continuous-duty solenoid.
- Hardened poppet and plunger for long life and low leakage.
- Efficient wet-armature construction.
- Cartridges are voltage interchangeable.
- Optional coil voltages and terminations.
- Filter screen standard.
- Low leak option available.
- Manual override option.
- Industry common cavity.

### SPECIFICATIONS

**Operating Pressure:** 4000 psi (276 bar)

**Flow:** See PRESSURE DROP VS. FLOW graph  
Nominal flow 5 gpm (18.9 lpm)

**Internal Leakage:** 5 drops/min max. at 3000 psi (207 bar)  
Low leakage available-

Less than 2 drops/min max. at 3000 psi (207 bar)

**Temperature:** -30° F to +250° F (-35°C to +120° C)

**Coil:** Series 8: K-Coil see page 1.91.1; S-Coil see page 1.92.1.

**Coil Duty Rating:** Continuous from 85% to 110% of rated voltage.

**Current Draw:** 12 VDC is 1.3 amps.

**Minimum Pull-In Voltage:** 85% of rated voltage at 4000 psi (276 bar)

**Response Time:** 80% of final change of state with 100% voltage supplied at 100% of nominal flow rating.

**Pull-In:** 12 VDC 16 m. sec. **Drop-Out:** 12 VDC 18 m. sec.

**Recommended Filtration:** Critical Application-ISO 17/15/13

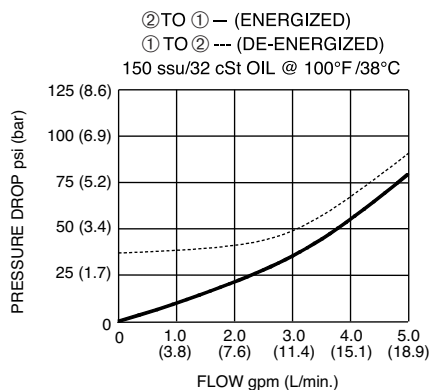
Non-Critical Application-ISO 20/18/14

**Fluids:** Mineral-based fluids. For other fluid compatibility consult factory.

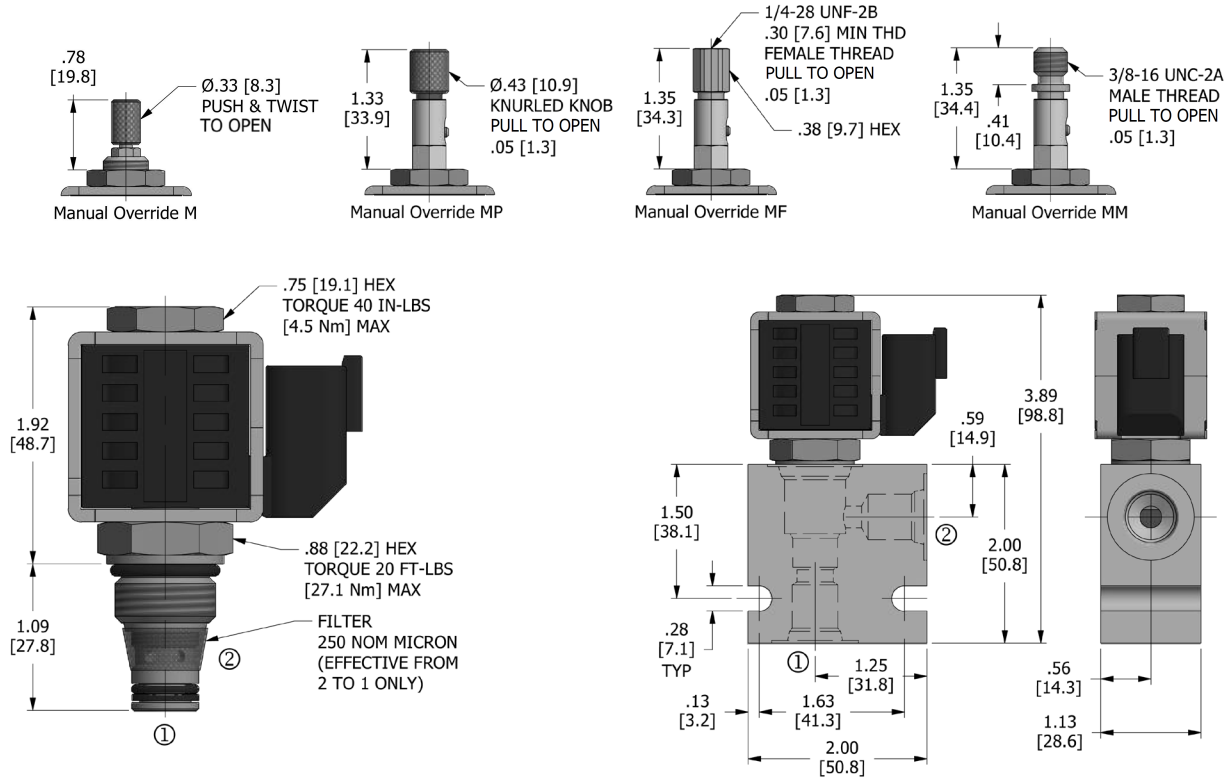
**Cavity/Cavity Tool:** 080-2, see page 11.08.2

**In-Line Body Material:** Anodized 6061T6 aluminum  
ally rated at 3000 psi (207 bar).

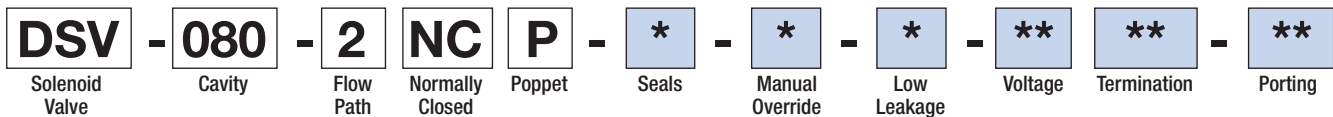
### PRESSURE DROP VS. FLOW



## DIMENSIONS Inches [Millimeters]



## HOW TO ORDER



Seals		Seal Kit
<b>N</b>	Buna N	DSK-080-2-N-A
<b>V</b>	Viton	DSK-080-2-V-A

Manual Override	
omit	No manual override
<b>M</b>	Manual override
<b>MP</b>	Knurled Knob Pull
<b>MF</b>	Female Pull 1/4-28 UNF
<b>MM</b>	Male Pull 3/8-16 UNC

Low Leakage	
omit	Standard leakage
<b>L</b>	Low leakage

Voltage†	
omit	Cartridge only w/nut
<b>D1</b>	DC 12 Volt
<b>D2</b>	DC 24 Volt
<b>D9</b>	DC 20 Volt
<b>D10</b>	DC 10 Volt
<b>A5</b>	AC 120 Volt
<b>A6</b>	AC 240 Volt

Termination†		
K-Coil External Frame	S-Coil Internal Frame	For internal diode – consult factory
omit	omit	Cartridge only w/nut
<b>DE</b>	<b>DS</b>	Dual Lead
<b>SE</b>	<b>SS</b>	Single Lead
<b>BE</b>	<b>BS</b>	Dual Spade
<b>AE</b>	<b>AS</b>	Single Spade
<b>EE</b>	<b>ES</b>	Single Stud
<b>UE</b> <small>IP69K</small>	<b>US</b>	Deutsch
<b>PE</b> <small>IP69K</small>		Metri-Pack
<b>JE</b> <small>IP69K</small>		Amp Junior Timer
	<b>HS</b>	DIN 43650
	<b>C</b>	Conduit <small>Duty Rating: Intermittent</small>
10234-41	10234-41	coil retainer nut

Porting†		
omit	Cartridge only	In-Line Body w/o Cartridge
<b>2N</b>	1/4 PTF	B-080-2-2N
<b>3N</b>	3/8 PTF	B-080-2-3N
<b>4T</b>	SAE 4	B-080-2-4T
<b>6T</b>	SAE 6	B-080-2-6T

† Other options available – consult factory

Valve, Coil, and In-Line Body are supplied individually and need to be assembled. For a completed assembly consult the factory.

All variations may not be configurable. Minimum order quantities may be required on other models. Contact Deltrol Fluid Products for complete details.