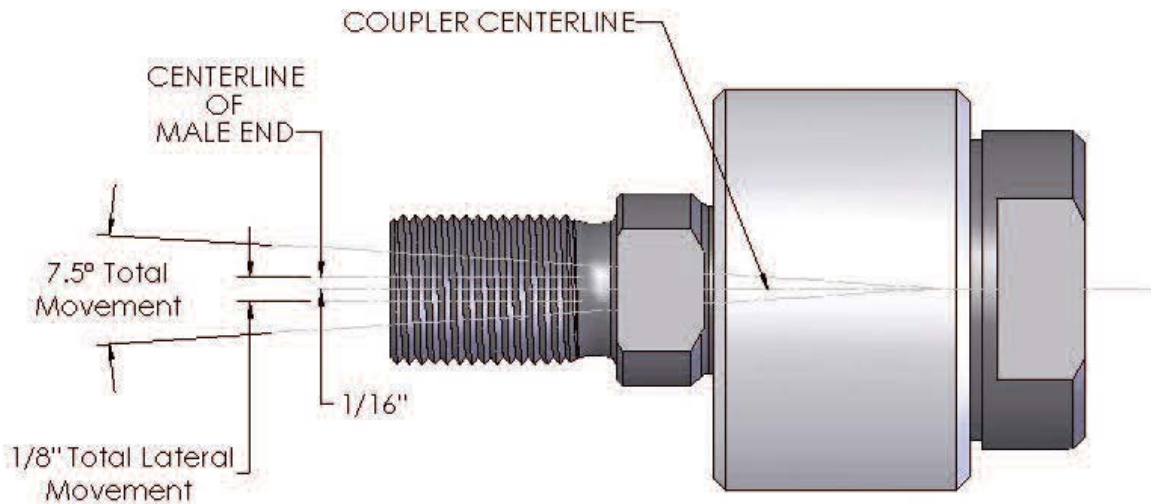




- Lubricated at factory.
- Adjusted at factory, no clearance or end play.
- Same load rating - push or pull.
- Internal thread mates with standard style No. 2 cylinder piston rods; external thread with style No. 3.
- Total of $7\ 1/2^{\circ}$ Spherical Movement and $1/8''$ Lateral movement capabilities.
- Designed to retro-fit with competitive brands while offering increased strength and misalignment capabilities.
- Manufactured from high tensile and hardened materials for additional strength and dependability.

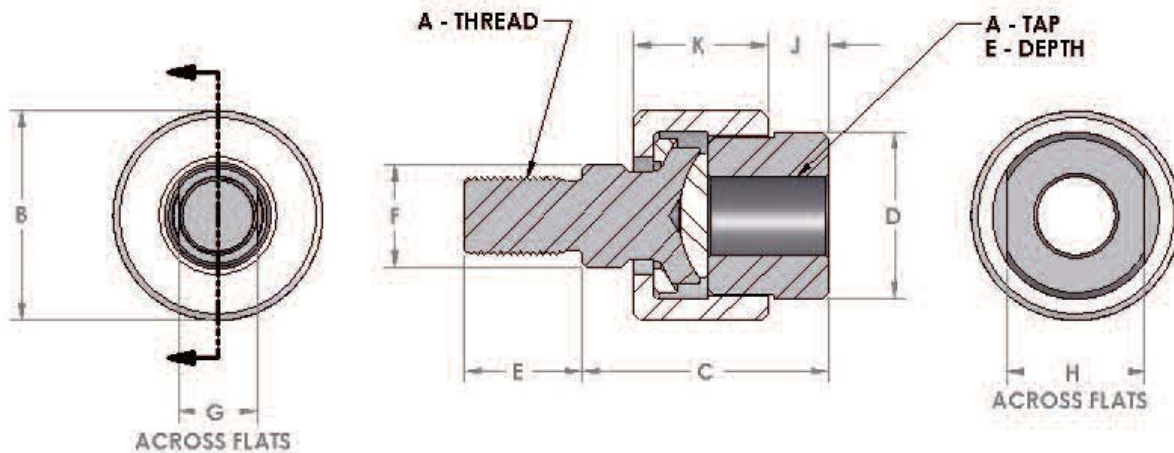


R - Series Dimensions

R - Series

| PART NO. | A THREAD SIZE | B | C* | D | E | F | G | H | J* | K | MAX. RATED LOAD | APROX. WEIGHT (LBS.) |
|--|-----------------------------|-------|-------|-------|-------|-------|-------|-------|-------|-------|-------------------------|----------------------------|
| R010-01024 R010-01224 | 5/16-24 3/8-24 | 1.115 | 1.770 | 0.920 | 0.500 | 0.500 | 0.375 | 0.750 | 0.460 | 0.930 | 1,450 2,425 | 0.35 |
| R020-01420 R020-01620 R020-02018 | 7/16-20 1/2-20 5/8-18 | 1.365 | 1.988 | 1.115 | 0.750 | 0.625 | 0.500 | 0.875 | 0.440 | 1.088 | 3,250 4,450 6,800 | 0.55 |
| R030-02416 R030-02814 | 3/4-16 7/8-14 | 1.990 | 2.340 | 1.600 | 1.125 | 0.969 | 0.750 | 1.313 | 0.600 | 1.282 | 9,050 14,450 | 1.4 |
| R040-10014 R040-10812 | 1-14 1-1/4-12 | 3.115 | 2.964 | 2.360 | 1.625 | 1.450 | 1.250 | 1.875 | 0.743 | 1.794 | 19,425 30,825 | 4.8 |

* Tolerance +/- .030 inch, all other dimensions +/- .015 inch



R - Series