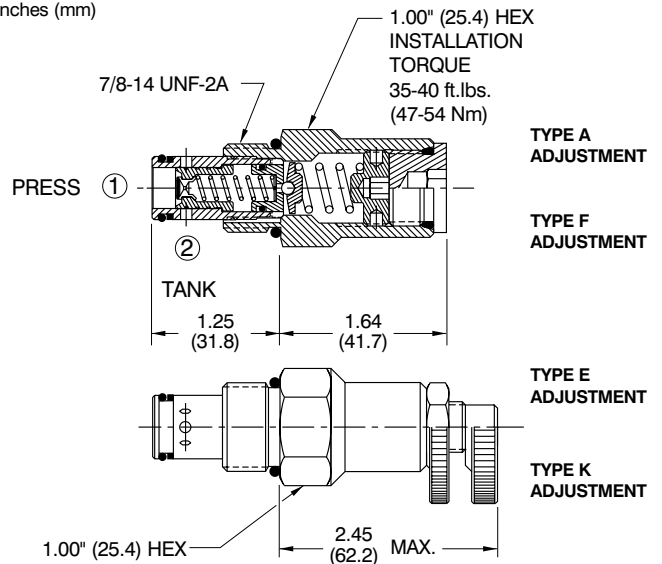
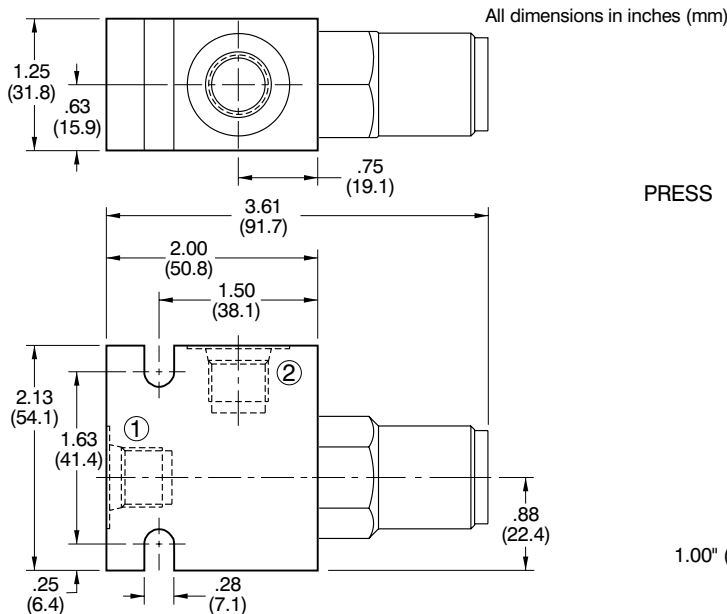
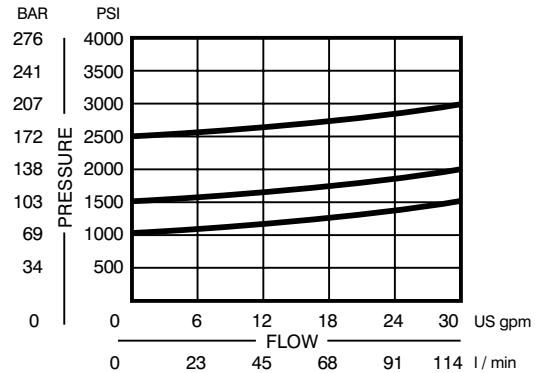


SPECIFICATIONS

- This valve relieves from 1 to 2 and is a pilot operated spool type relief.
- Nominal flow: 30.0 gpm (114 l/m).
- Valve rated to 5000 psi (345 bar) working pressure.
- Valve leakage: 5 cubic in. (82 cc) per min. max. at 3000 psi (207 bar).
- Valve cartridge is *all* steel construction with precision ground, hardened spool and selectively honed, hardened sleeve to assure low leakage and extended service life.
- Hi-strength aluminum alloy body allows for maximum circuit design flexibility.
- For pressures above 3000 psi use steel bodies.
- Buna-N seals are standard. Viton is optional (consult factory for other seal compounds).
- Valve is designed for use with general purpose hydraulic fluids (MIL-H-5606, SAE #10, etc.).
- Cartridge weight .40 lbs (.18 kg).
- Valve cartridge fits Compact Controls [cavity CP10-2](#).

TYPICAL PERFORMANCE

154 SUS (33 cSt) HYD. OIL @ 100° F (38° C)



ORDERING INFORMATION

Shaded area represents standard product

CP210 - 2 - B - 8S - A - C

BASIC CARTRIDGE

SEALS

B - BUNA-N
V - VITON

SEAL KIT

120015
120016

PORTS

0 - CARTRIDGE
3P - 3/8 NPTF
4P - 1/2 NPTF
6S - #6 SAE
8S - #8 SAE
3B - 3/8 BSP
4B - 1/2 BSP

BODY P/N

NO BODY
220092
220124
220125
220126
221214
221215

PRESSURE RANGE

	PSI	BAR
A	50-800	(3-55)
Std. Setting	400	(28)
B	50-1500	(3-103)
Std. Setting	1000	(69)
C	150-3000	(10-207)
Std. Setting	1500	(103)
D	150-5000	(10-345)
Std. Setting	1500	(103)

ADJUSTMENT OPTION

A - INTERNAL ADJUSTMENT
E - EXTERNAL ADJUSTMENT
F - TAMPER RESISTANT
K - KNOB ADJUSTMENT

