

F82G – General purpose filter Excelon® Plus Modular System



- > Port size: 1/4" & 3/8" (ISO G/PTF)
- > Excelon® Plus design allows in-line installation or modular installation with other Excelon® Plus products
- > 5 or 40 micron particle and high efficiency water removal (> 95%)
- > Double safety lock bowl
- > Metal bowl with prismatic liquid level indicator lens
- > Lightweight polycarbonate bowl
- > Air purity classes in accordance to ISO8573-1: particles class 6 & 7 and liquid water class 8



Technical features

Medium:

Compressed air only

Maximum supply pressure:

Polycarbonate bowl: 145 psi (10 bar)
Metal bowl: 246 psi (17 bar)

Filter element:

5 µm & 40 µm

Port size:

G1/4, G3/8
1/4 PTF, 3/8 PTF

Drain:

Manual or automatic

Flow:

48 scfm (23 dm³/s) at port size 1/4", 58 scfm (27 dm³/s) at port size 3/8", operating pressure 91 psi (6.3 bar) and a Δp: 7.25 psi (0.5 bar) drop from set.

Filter element: 40 µm

Automatic drain operating conditions (float operated):

Bowl pressure required to close drain: > 5 psi (0.35 bar)
Bowl pressure required to open drain: ≤ 2.9 psi (0.2 bar)
Minimum air flow required to close drain: 2 scfm (1dm³/s)


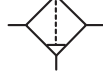
Ambient/Media temperature:

Polycarbonate bowl: 14 to +140°F (-10 to +60°C)
Metal bowl: -4 to +149°F (-20 to +65°C)
Air supply must be dry enough to avoid ice formation at temperatures below +35°F (+2°C).

Materials:

Body: Die cast aluminum
Body covers: ABS
Bowl: Transparent PC with PP guard or die cast zinc
Liquid level indicator lens (metal bowl): PA
Filter element: sintered PP
Bowl 'o'- ring: Chloroprene
Elastomers: NBR

Technical data F82G—standard models

Symbol	Port Size (PTF)	Drain	Filter element (µm)	Bowl	Weight lbs (kg)	Model *1)
	1/4	Auto	40	Guarded polycarbonate	0.48 (0.22)	F82G-2AN-AP3
	3/8	Auto	40	Guarded polycarbonate	0.48 (0.22)	F82G-3AN-AP3
	1/4	Auto	40	Metal with level indicator	0.90 (0.41)	F82G-2AN-AD3
	3/8	Auto	40	Metal with level indicator	0.90 (0.41)	F82G-3AN-AD3
	1/4	Manual	40	Guarded polycarbonate	0.44 (0.20)	F82G-2AN-QP3
	3/8	Manual	40	Guarded polycarbonate	0.44 (0.20)	F82G-3AN-QP3
	1/4	Manual	40	Metal with level indicator	0.88 (0.40)	F82G-2AN-QD3
	3/8	Manual	40	Metal with level indicator	0.88 (0.40)	F82G-3AN-QD3

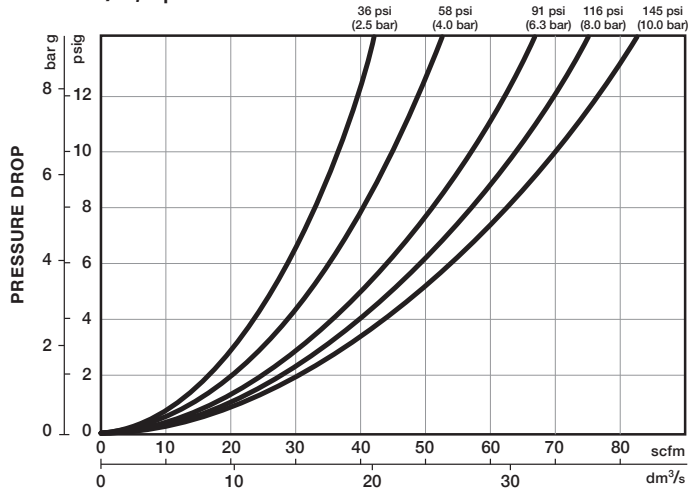
Option selector

F82G-★ ★ ★ - ★ ★ ★

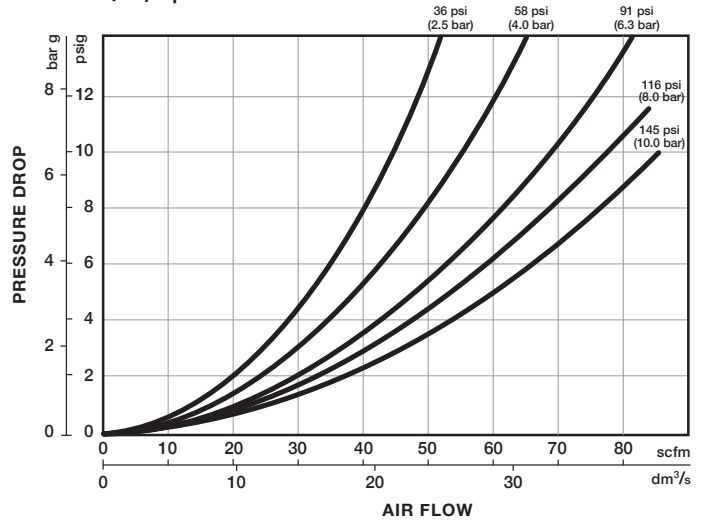
Port size	Substitute	←		→	Element	Substitute
1/4"	2				5 μm	1
3/8"	3				40 μm	3
Thread form	Substitute	←		→	Bowl	Substitute
PTF	A				Transparent with guard	P
ISO G	G				Metal with liquid indicator	D
Differential Pressure Indicator	Substitute	←		→	Drain	Substitute
With differential pressure indicator	D				Manual	Q
Without differential pressure indicator	N				Auto drain	A

Flow characteristics

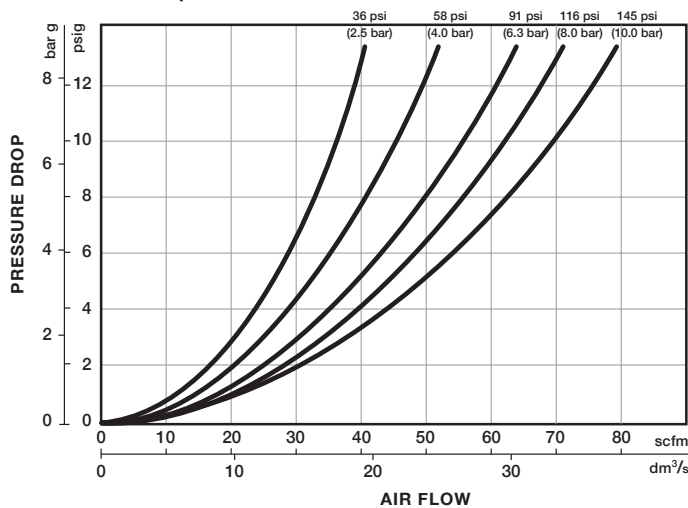
Port size: 1/4", 5 μm



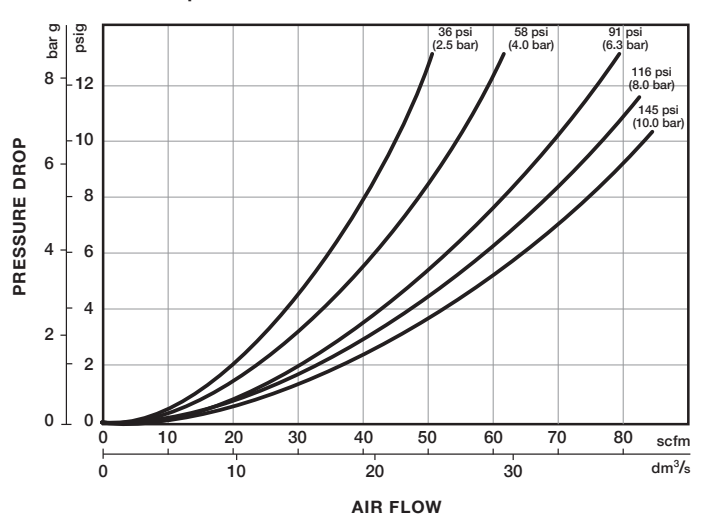
Port size: 3/8", 5 μm



Port size: 1/4", 40 μm



Port size: 3/8", 40 μm



Accessories
Wall mounting bracket

Page 7

820024-50KIT

Quikclamp®

Page 7

820014-51KIT

**Quikclamp®
with bracket assembled**

Page 7

820014-52KIT

**Pressure sensing block
1/4 PTF**

Page 7

820016-50KIT

**Pressure sensing block
G1/4**

Page 7

820016-51KIT

**Full flow porting block
3/8" PTF**

Page 7

820028-50KIT

**Full flow porting block
G3/8**

Page 7

820028-53KIT

**Pressure switch interface
block (18D pressure switch)**

Page 8

0523109000000000

**Pneumatic pressure switch
18D (0,5 ... 8 bar) *1)**

Page 8

0881300000000000

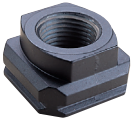
**Digital pressure switch
54D (-14 ... 145 psi) *2)**

Page 9

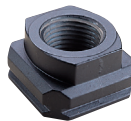
54D-V110G-DD0-AA

*1) For other pressure ranges, please see 18D data sheet.

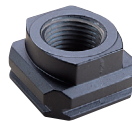
*2) For other pressure ranges, please see 54D data sheet.

**Port Adapters
1/4 PTF**

Page 8

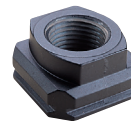
820015-02KIT

**Port Adapters
3/8 PTF**

Page 8

820015-03KIT

**Port Adapters
G1/4**

Page 8

820015-08KIT

**Port Adapters
G3/8**

Page 8

820015-09KIT

Maintenance/Service

**Filter cartridge
5 micron**



820038-50KIT

**Filter cartridge
40 micron**



820038-51KIT

**Auto drain kit with
metal Nut - Imperial**



6000-61KIT

**Auto drain kit with
metal Nut - Metric**



6000-60KIT

Spare parts

**Filter Bowl (Guarded Poly
bowl with auto drain 6 mm
PIF)**



820025-51KIT

**Filter Bowl (Guarded Poly
bowl with manual drain)**



820025-50KIT

**Filter Bowl (Metal with S/
Glass & auto drain, 6 mm PIF)**



820003-51KIT

**Filter Bowl (Metal with S/
Glass & manual drain)**



820003-50KIT

**Filter Bowl (Guarded Poly
bowl with auto drain, 1/4 PIF)**



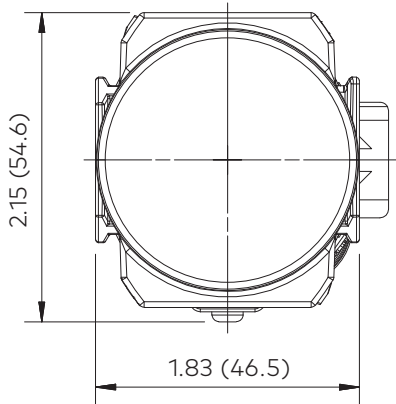
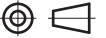
820025-53KIT

**Filter Bowl (Metal with S/
Glass & auto drain, 1/4 PIF)**



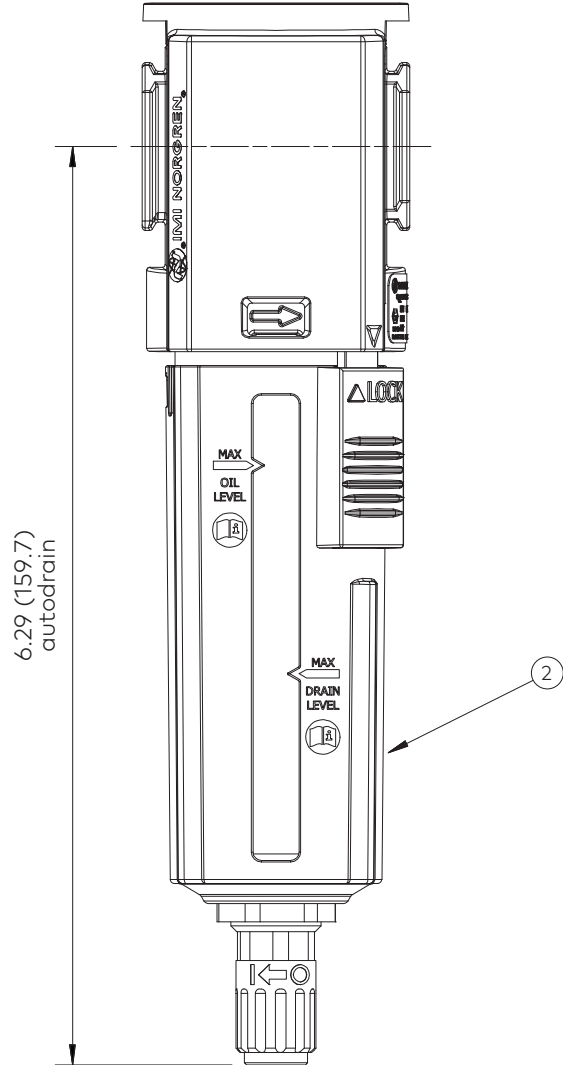
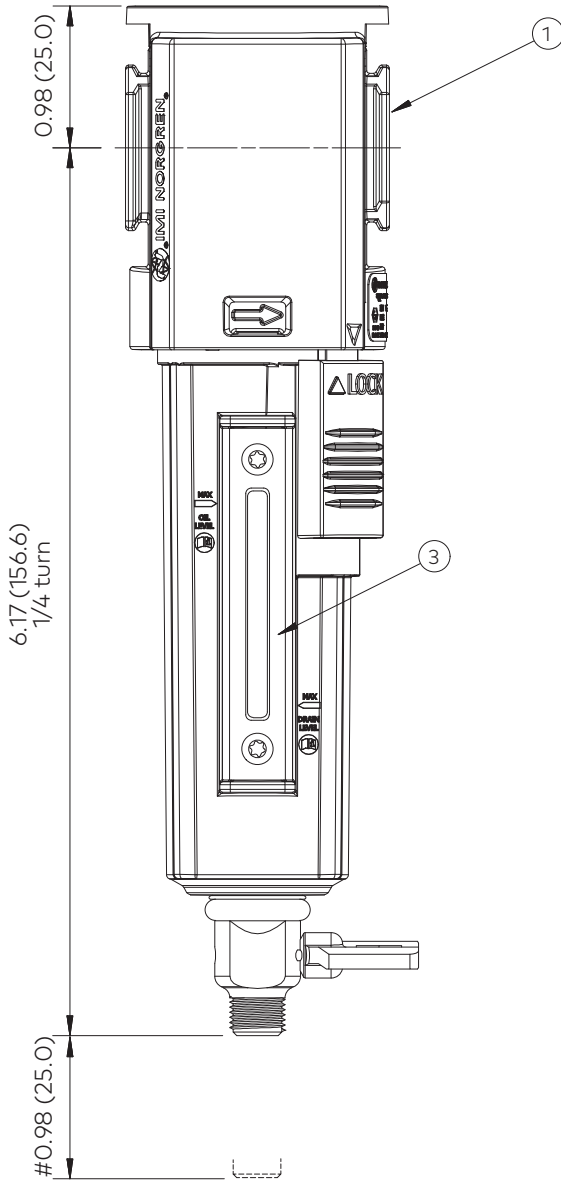
820003-56KIT

Dimensions

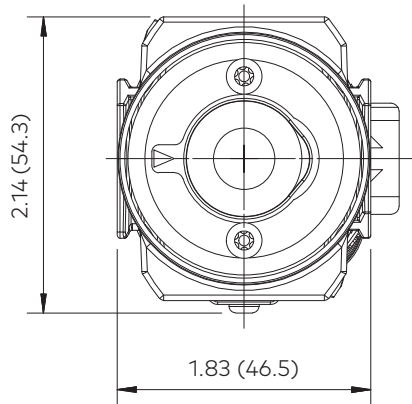
 Dimensions in inches (mm)
 Projection/Third angle


Minimum clearance required to remove bowl

- 1 Main ports 1/4", 3/8" (ISO G/PTF)
- 2 Transparent bowl with guard
- 3 Metal bowl with liquid level indicator lens

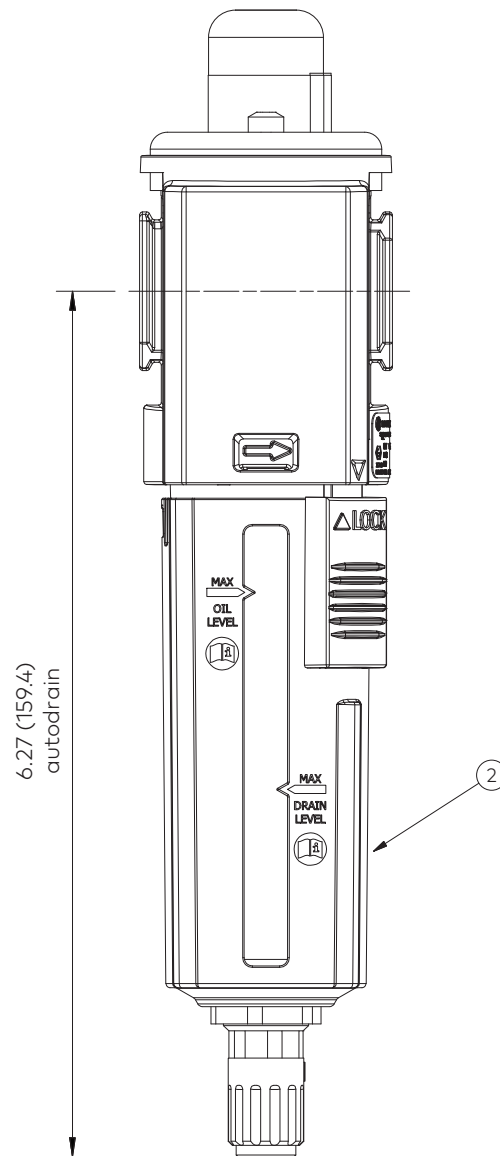
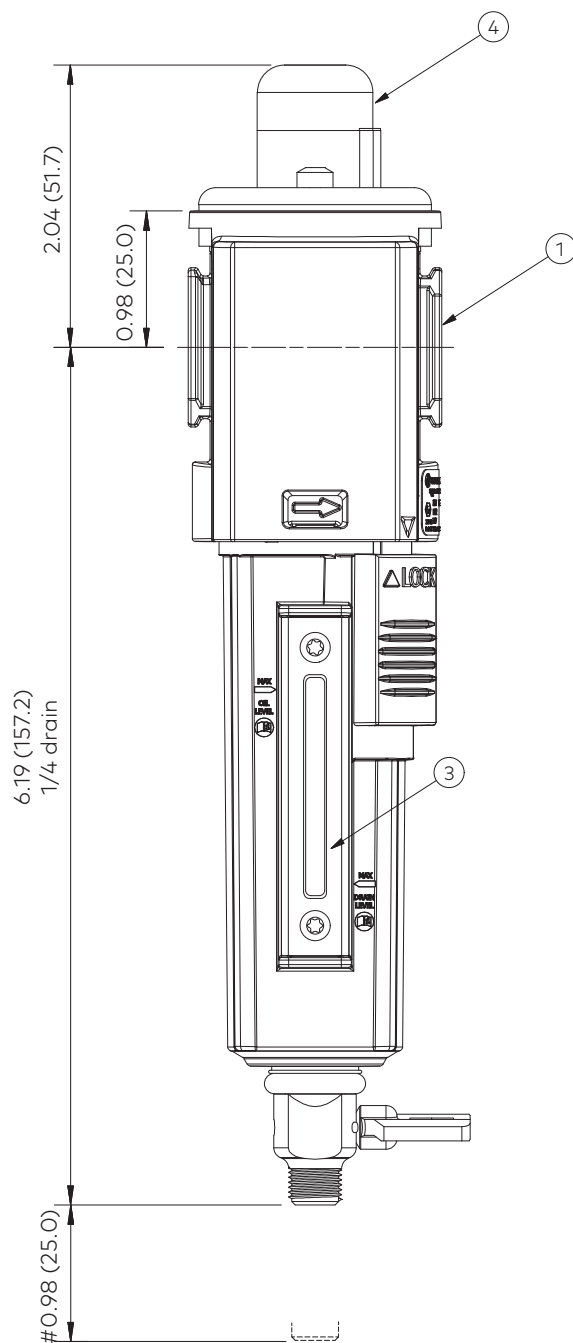


Dimensions

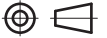
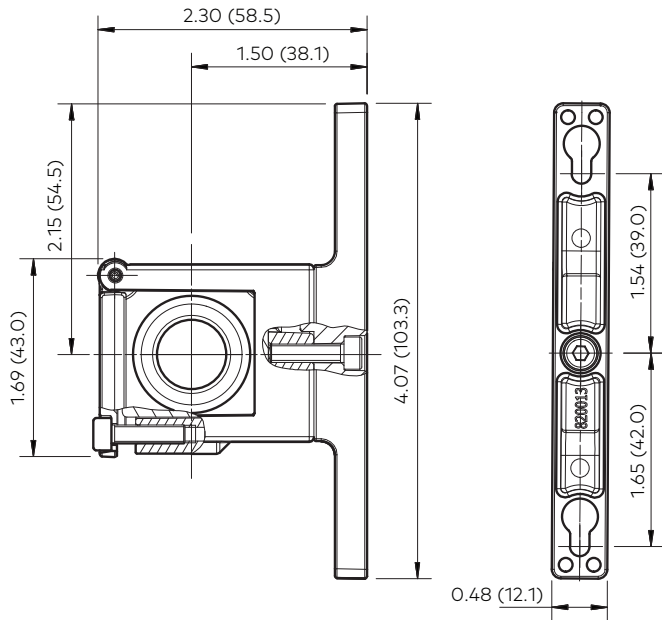
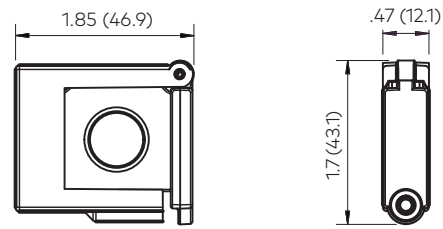
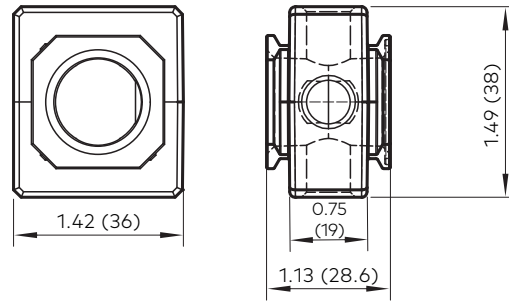
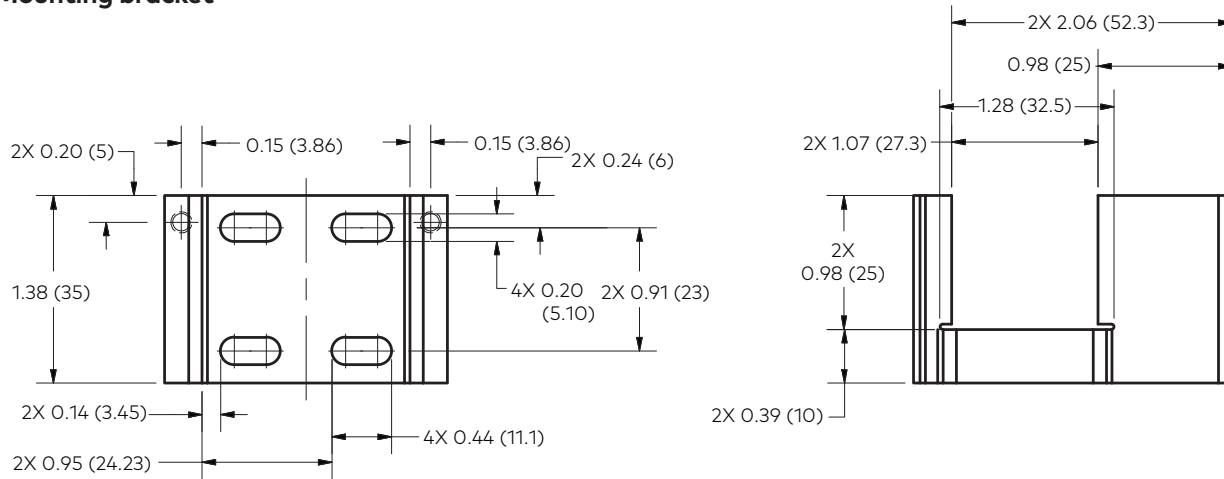
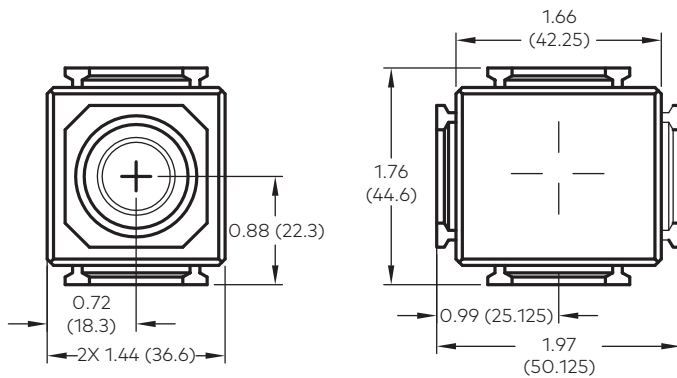
 Dimensions in inches (mm)
 Projection/Third angle


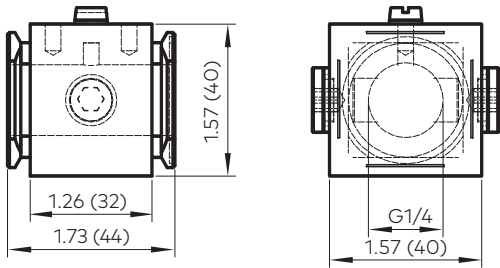
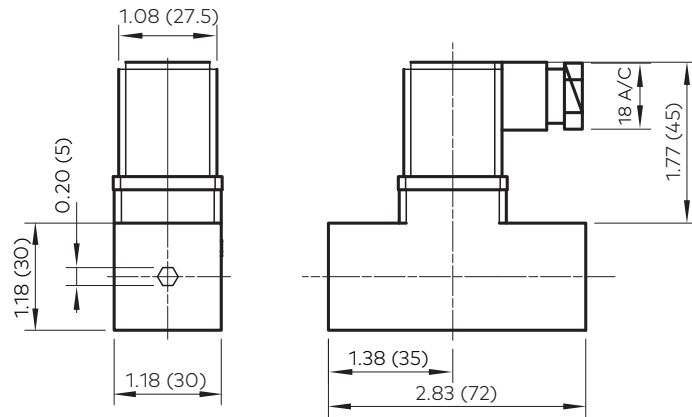
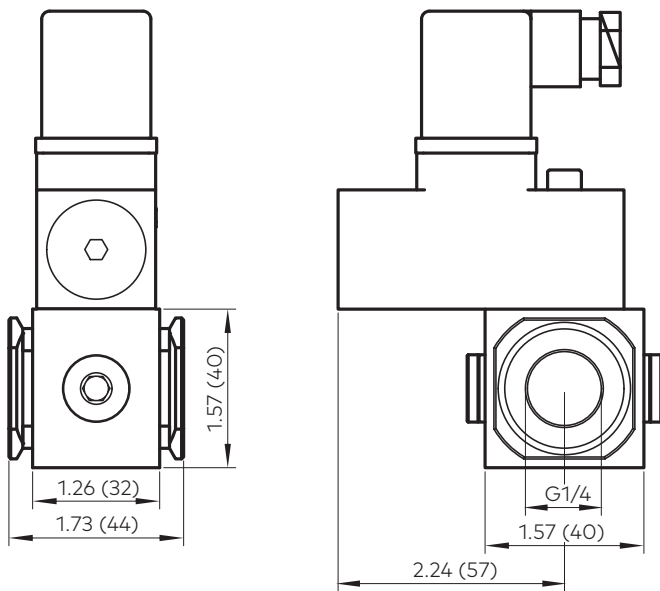
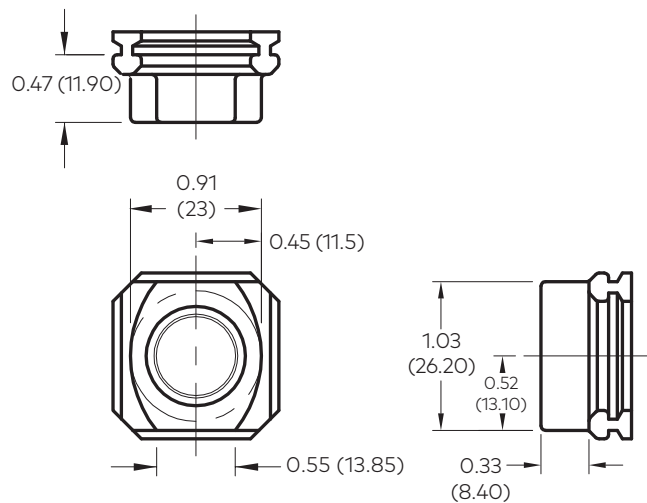
Minimum clearance for bowl removal

- 1 Main ports 1/4", 3/8" (ISO G/PTF)
- 2 Transparent bowl with guard
- 3 Metal bowl with liquid level indicator lens
- 4 Service indicator



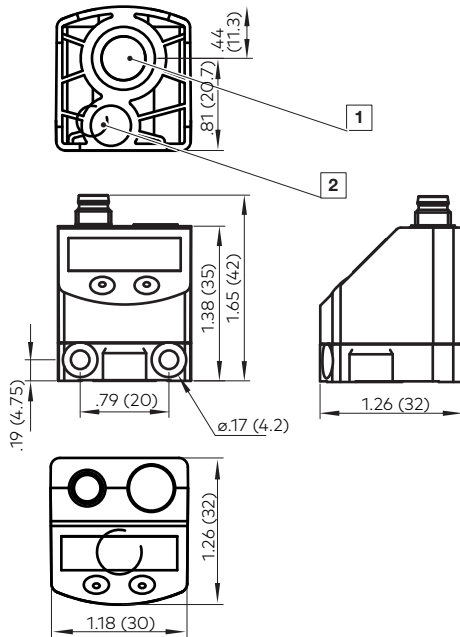
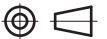
Accessories

 Dimensions in inches (mm)
 Projection/Third angle

Quikclamp® with wall bracket

Quikclamp®

Pressure sensing block

Mounting bracket

Full flow porting block



Porting block for 18D pressure switch

18D Pressure switch

18D Porting block and 18D assembled

Pipe adapter


54D Pressure switch - digital

Dimensions in inches (mm)
Projection/Third angle



- 1 Main pressure connection (G1/8)
- 2 Auxiliary pressure connection for differential pressure sensing (M5)

Warning

These products are intended for use in industrial compressed air systems only. Do not use these products where pressures and temperatures can exceed those listed under »**Technical features/data**«.

Before using these products with fluids other than those specified, for non-industrial applications, life-support systems or other applications not within published specifications, consult Norgren Ltd.

Through misuse, age, or malfunction, components used in fluid power systems can fail in various modes.

The system designer is warned to consider the failure modes of all component parts used in fluid power systems and to provide adequate safeguards to prevent personal injury or damage to equipment in the event of such failure.

System designers must provide a warning to end users in the system instructional manual if protection against a failure mode cannot be adequately provided.

System designers and end users are cautioned to review specific warnings found in instruction sheets packed and shipped with these products.